

# AVANT<sup>®</sup> 735i

**Varaosakirja  
Parts Manual  
Dellista  
Ersatzteilliste**



**Kohler KSD**

3/2024

# Table Of Contents

A462704	AVANT 735I	6
A452147	FRONT FRAME ASSEMBLY 700 SERIES 11/2022	8
A34964	TELESCOPIC BOOM HD COMPLETE, 700 SERIES	10
A34965	OUTER BOOM HD, ASSEMBLY, 700 SERIES	12
A34966	INNER BOOM HD, ASSEMBLY, 700 SERIES	14
A436601	ATTACHMENT COUPLING PLATE CAST STEEL 700	16
A436614	LOCKING PIN ASSEMBLY ATTACHM COUPL PLATE	18
A436687	LINKAGE PIECE "BOOMERANG" CAST STEEL	20
65252	MULTI CONNECTOR, ON LOADER	22
A445631	BOOM SELF LEVELLING 700 SERIES	24
A449741	DIRECTIONAL VALVE ASSEMBLY BOOM FLOAT &	26
A450588	CONTROL VALVE ASSEMBLY HDS16	28
A429030	CONTROL VALVE HDS16	30
A452569	CONTROL LEVERS ASSEMBLY CONTROL VALVE	32
A436748	CONTROL LEVER AUX. HYDR. FRONT ASSEMBLY	34
A452574	STEERING COLUMN ASSEMBLY	36
A452815	HYDRAULIC HOSES ORBITROL 600-700 SERIES	38
A440870	DRIVE PEDAL ASSEMBLY 700 SERIES	40
A465923	HYDR. HOSES DRIVE PEDAL	42
A446008	HYDRAULIC OIL COOLER ASSEMBLY 500-700	44
A449648	HYDRAULIC MANIFOLD ASSEMBLY	46
A462705	REAR FRAME ASSEMBLY 735I KOHLER KSD	48
A441337	REAR CHASSIS ASSEMBLY 700 SERIES	50
A37449	ARTICULATION JOINT ASSEMBL REAR FRAME	52
A415984	LOAD SENSOR SYSTEM, COMPLETE ASSEMBLY	54
A36913	REAR WEIGHT (BUMPER) 168 KG, ASSEMBLY	56
A463093	ENGINE BAY KOHLER KSD 735I	58
A463344	FUEL FILTERS ASSEMBLY 735I	60
A463262	AIR FILTER ASSEMBLY 735I KOHLER KSD	62
A455668	HYDRAULIC MANIFOLD WITH HOSES ASSEMBLY	64
A436129	FUEL TANK ASSEMBLY 66L	66
A461143	WIND TUNNEL NO. 2 ASSEMBLY	68
A460889	RADIATOR ASSEMBLY	70
A461151	RADIATOR HOSES ASSEMBLY 635I 640I	72
A458167	HYDRAULIC PUMPS ASSEMBLY 635I 640I	74
A449801	VARIABLE DISPL. PUMP 26CC+9CC 370 BAR	76
A463318	EXHAUST MUFFLER + PIPE ASSEMBLY 735I	78
A452828		80
A462833	MOUNTING PARTS KOHLER KSD 735I	82
A462015	ROPS/FOPS CAB ASSEMBLY 600-700 SERIES	84
A49119	ROPS FRAME WITH FOPS CANOPY, 600/700 SER	86
A462011	SEAT BASE ASSEMBLY 500-700 SERIES	88
A439987	INSTRUMENT PANEL WITH DECAL 700 / 800	90
A435860	DASHBOARD ASSEMBLY 700-800 ROPS	92
A451115	COVER PLATES KIT, ABS 700 SERIES ROPS	94

27.3.2024

<u>A446265</u>	<u>COVER PLATES FRONT FRAME ABS 500-700</u>	<u>96</u>
<u>A450770</u>	<u>WORK LIGHTS LED ON FRONT COVERS ASSEMBLY</u>	<u>98</u>
<u>A442266</u>	<u>COVER PLATES ABS, KIT, REAR FRAME</u>	<u>100</u>
<u>A452920</u>	<u>HYDR. HOSES DRIVE, WITH ANTI SLIP 700</u>	<u>102</u>
<u>A454023</u>	<u>HYDRAULIC MANIFOLD 1-SPEED DRIVE RELEASE</u>	<u>104</u>
<u>A445009</u>	<u>HYDRAULIC MOTOR ASSEMBLY 398 CCM POCLAIN</u>	<u>106</u>
<u>65670</u>	<u>HYDRAULIC MOTOR MSE02 398CCM</u>	<u>108</u>
<u>65671</u>	<u>HYDRAULIC MOTOR B MSE02 398CCM W. BRAKE</u>	<u>110</u>
<u>A449937</u>	<u>CAB L</u>	<u>112</u>
<u>A443979</u>	<u>WINDSCREEN WIPER ASSEMBLY CAB L 523-760I</u>	<u>114</u>
<u>A446010</u>	<u>TANK ASSEMBLY WINDSCREEN WASHER</u>	<u>116</u>
<u>A444539</u>	<u>CAB GT, 700 SERIES</u>	<u>118</u>
<u>A453487</u>	<u>BASIC PARTS CAB GT</u>	<u>120</u>
<u>A448117</u>	<u>FRAME CAB GT</u>	<u>122</u>
<u>A438895</u>	<u>LATCH ASSEMBLY</u>	<u>124</u>
<u>A453483</u>	<u>DOOR AND WINDOWS ASSEMBLY CAB GT</u>	<u>126</u>
<u>A445896</u>	<u>WINDSCREEN ASSEMBLY CAB GT</u>	<u>128</u>
<u>A449928</u>	<u>WINDSCREEN WIPER ASSEMBLY CAB GT</u>	<u>130</u>
<u>A436771</u>	<u>REAR WINDOWS CAB GT</u>	<u>132</u>
<u>A434952</u>	<u>WINDOW RIGHT ASSEMBLY CAB GT</u>	<u>134</u>
<u>A436900</u>	<u>SUNROOF ASSEMBLY CAB GT</u>	<u>136</u>
<u>A434950</u>	<u>DOOR ASSEMBLY CAB GT</u>	<u>138</u>
<u>A453489</u>	<u>UPHOLSTERY ASSEMBLY CAB GT</u>	<u>140</u>
<u>A434208</u>	<u>FLOOR MAT ASSEMBLY CAB GT</u>	<u>142</u>
<u>A436615</u>	<u>HEAT SHIELD ASSEMBLY CAB GT</u>	<u>144</u>
<u>A436754</u>	<u>UPHOLSTERY PANELS B-PILLARS CAB GT</u>	<u>146</u>
<u>A436635</u>	<u>AIR DUCTS ASSEMBLY CAB GT</u>	<u>148</u>
<u>A434410</u>	<u>SERVICE HATCH ASSEMBLY CAB GT</u>	<u>150</u>
<u>A438892</u>	<u>UPHOLSTERY ASSEMBLY CEILING CAB GT</u>	<u>152</u>
<u>A438887</u>	<u>SUN VISOR ASSEMBLY CAB GT</u>	<u>154</u>
<u>A438452</u>	<u>NET POCKET ASSEMBLY CAB GT</u>	<u>156</u>
<u>A438443</u>	<u>NET POCKET REAR ASSEMBLY CAB GT</u>	<u>158</u>
<u>A448127</u>	<u>CONTROLS ASSEMBLY CAB GT</u>	<u>160</u>
<u>A465450</u>	<u>CONTROLS ASSEMBLY CAB GT</u>	<u>162</u>
<u>A436574</u>	<u>DASHBOARD CAB GT / DLX</u>	<u>164</u>
<u>A449724</u>	<u>SEAT FULL SUSPENSION FABRIC HEATER MSG65</u>	<u>166</u>
<u>A438246</u>	<u>HEATER ASSEMBLY CAB GT</u>	<u>168</u>
<u>A442729</u>	<u>SUBFRAME ASSEMBLY CAB GT 500-700 SERIES</u>	<u>170</u>
<u>A465346</u>	<u>HEATER HOSES IN ENGINE COMPARTMENT</u>	<u>172</u>
<u>A450869</u>	<u>AIR CONDITIONING ASSEMBLY CAB GT</u>	<u>174</u>
<u>A434047</u>	<u>HEATER MODULE CAB GT</u>	<u>176</u>
<u>A449155</u>	<u>CONDENSER WITH RECEIVER DRIER A/C CAB GT</u>	<u>178</u>
<u>A37135</u>	<u>COMPRESSOR, ASSEMBLY, A/C 600 SERIES</u>	<u>180</u>
<u>A445633</u>	<u>SMOOTH DRIVE - BOOM SUSPENSION 600-700</u>	<u>182</u>
<u>A449669</u>	<u>SOLENOID VALVE 2/2</u>	<u>184</u>

---&gt;

27.3.2024

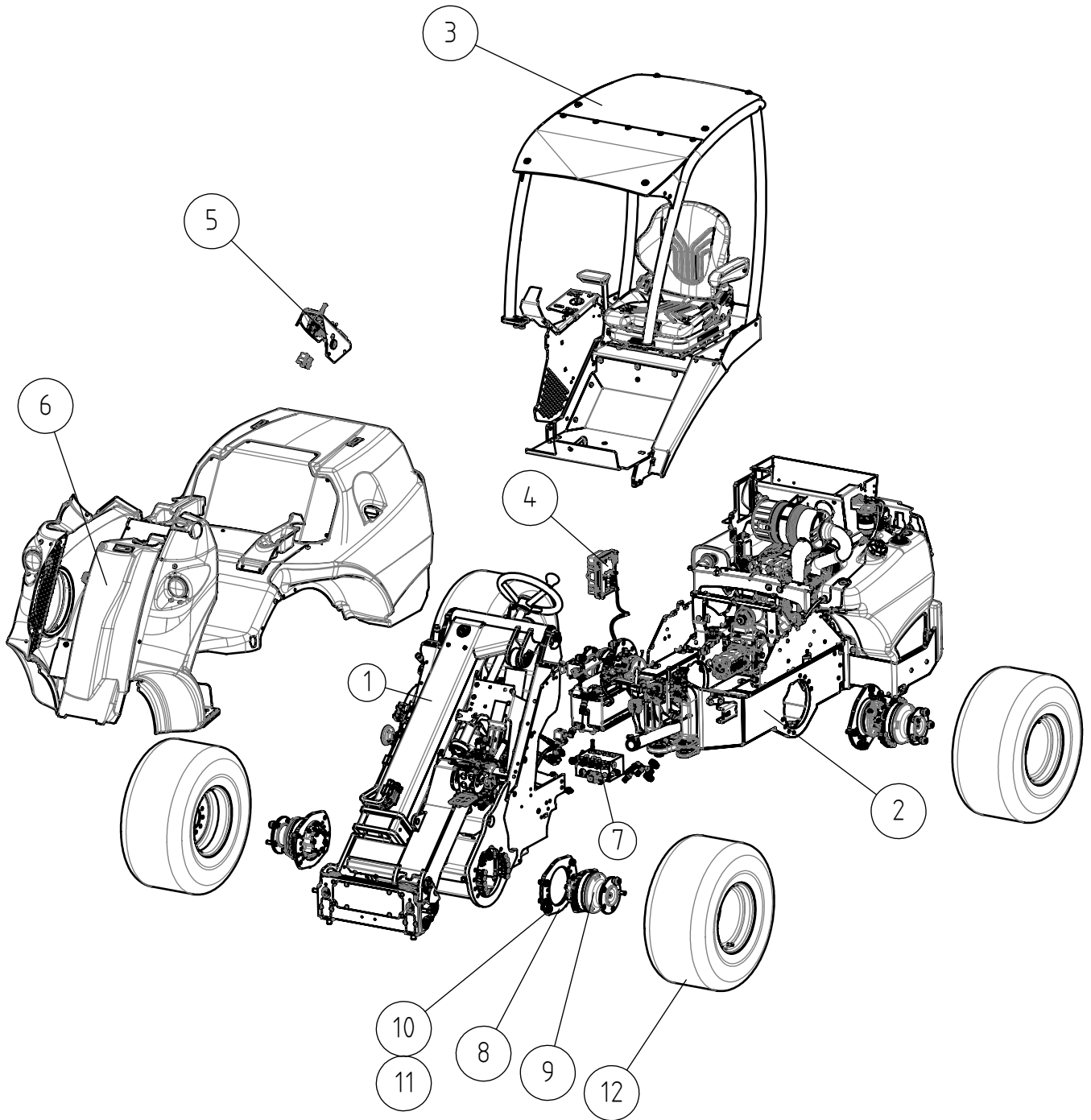
<u>A450470</u>	<u>HYDRAULIC ATTACHMENT COUPLING PLATE 700</u>	<u>186</u>
<u>A449703</u>	<u>VALVE ASSEMBLY HYDR. ATTACHMENT COUPLING</u>	<u>188</u>
<u>A454145</u>	<u>ATTACHMENT CONTROL SWITCH PACK</u>	<u>190</u>
<u>A450467</u>	<u>AUX. HYDRAULICS OUTLET REAR DOUBLE</u>	<u>192</u>
<u>A453712</u>	<u>ATTACHMENT CONTROL SWITCH PACK FOR REAR</u>	<u>194</u>
<u>A450468</u>	<u>EXTRA AUX. HYDRAULICS OUTLET FRONT,</u>	<u>196</u>
<u>A455810</u>	<u>ANTI SLIP VALVE 700 &amp; 800 SERIES</u>	<u>198</u>
<u>A435400</u>	<u>JOYSTICK 8 FUNCTION WITH ANTI SLIP</u>	<u>200</u>
<u>A417323</u>	<u>BALL HITCH, REAR,50 MM COMPLETE ASSEMBLY</u>	<u>202</u>
<u>A417337</u>	<u>BALL HITCH, REAR, 50MM WITH TOWING PIN</u>	<u>204</u>
<u>A444928</u>	<u>BALL HITCH REAR WITH TOWING PIN F50</u>	<u>206</u>
<u>A458197</u>	<u>ENGINE BLOCK HEATER 635I/640I/735I</u>	<u>208</u>
<u>A458198</u>	<u>ENGINE BLOCK HEATER 635I/640I/735I 110V</u>	<u>210</u>
<u>A453737</u>	<u>REVERSE BEEPER, KIT, 500, 600, 735-750,</u>	<u>212</u>
<u>A35957</u>	<u>REAR WEIGHT 29 KG WITH HANDLE, CAST IRON</u>	<u>214</u>
<u>A441613</u>	<u>ATTACHMENT MOUNTING PLATE REAR 700</u>	<u>216</u>
<u>A429322</u>	<u>SUPPORT FRAME, HYDR. REAR LIFT 700 SER</u>	<u>218</u>
<u>A429332</u>	<u>FRAME, HYDRAULIC REAR LIFT 700/800 SER</u>	<u>220</u>
<u>A424914</u>	<u>ROLLER, HYDR. REAR LIFT 700 SERIES</u>	<u>222</u>
<u>A424919</u>	<u>REAR BUMPERS HYDR. REAR LIFT 700/800</u>	<u>224</u>
<u>A427547</u>	<u>HYDRAULIC REAR LIFT 700 SERIES</u>	<u>226</u>
<u>A430749</u>	<u>HYDRAULIC COMPONENTS, REAR LIFT 700/800</u>	<u>228</u>
<u>A431364</u>	<u>WIRE HARNESS HYDR. REAR LIFT 700 SERIES</u>	<u>230</u>
<u>A429306</u>	<u>HYDRAULIC CYLINDERS REAR LIFT 700/800</u>	<u>232</u>
<u>A418817</u>	<u>TRAILER SOCKET 7 PIN, KIT, 700/800</u>	<u>234</u>
<u>A438530</u>	<u>BEACON 800 SERIES</u>	<u>236</u>
<u>A450924</u>	<u>ROAD TRAFFIC KIT ON CAB GT 700 SERIES</u>	<u>238</u>
<u>A450854</u>	<u>HEADLAMPS / PARKING LIGHTS / INDICATOR</u>	<u>240</u>
<u>A438587</u>	<u>RADIO WITH ACCESSORIES CAB GT</u>	<u>242</u>
<u>A455692</u>	<u>AIR SUSPENSION SEAT CAB GT FABRIC HEATER</u>	<u>244</u>
<u>A459615</u>	<u>VINYL FULL SUSPENSION SEAT CAB GT</u>	<u>246</u>
<u>A438538</u>	<u>FOUR-LIGHT BEACON CAB GT</u>	<u>248</u>
<u>A438520</u>	<u>WORK LIGHT KIT, 3 LED LIGHTS 700 LUMEN</u>	<u>250</u>
<u>A438528</u>	<u>WORK LIGHT KIT LED 700LM CAB GT</u>	<u>252</u>

27.3.2024

---

27.3.2024

# A462704 AVANT 735I



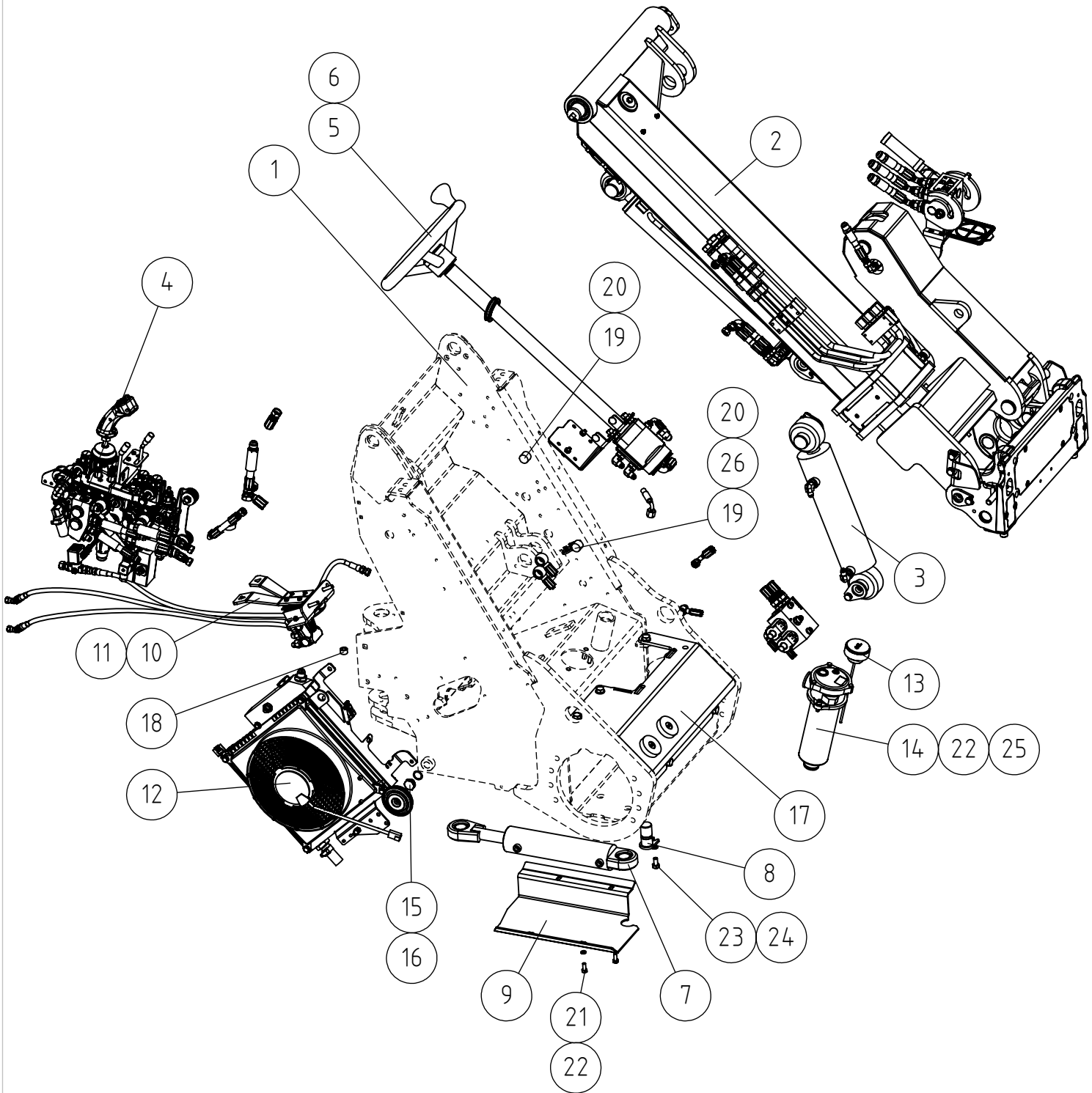
27.3.2024

**A462704 AVANT 735I**

REF	PART NO	QTY	DESCRIPTION	NOTES	PAGE
1	A452147	1	FRONT FRAME ASSEMBLY 700 SERIES 11/2022		8
2	A462705	1	REAR FRAME ASSEMBLY 735I KOHLER KSD		48
3	A462015	1	ROPS/FOPS CAB ASSEMBLY 600-700 SERIES		84
4	A462706	1			-
5	A435860	1	DASHBOARD ASSEMBLY 700-800 ROPS		92
6	A451115	1	COVER PLATES KIT, ABS 700 SERIES ROPS		94
7	A452920	1	HYDR. HOSES DRIVE, WITH ANTI SLIP 700		102
8	A417375	4	MOUNTING PLATE HYDR. MOTOR 745 POCLAIN		-
9	A445009	1	HYDRAULIC MOTOR ASSEMBLY 398 CCM POCLAIN		106
10	74799	24	HEXAGONAL SCREW M16*35 DIN 933		-
11	74533	24	WASHER, PAIR, M16 NL16 NORDLOCK		-
12	65224	4	WHEEL (TYRE+RIM) 10 HOLE 320/60-12 TR HD		-
12	65506	4	WHEEL 320/55-15 10 HOLES, TRACTOR PROFIL		-
12	65739	4	WHEEL 26*12.00-12 TRACTOR, 10 HOLE RIM		-
12	65414	4	WHEEL 27*8.50-15 10 HOLE RIM TRACTORPROF		-
12	65958	4	WHEEL (TYRE+RIM) 400/50-15 10-HOLE		-
13	A464135	2	DECAL "735I" FRONT FRAME RIGHT		-
14	A464137	1	DECAL "735I" FRONT FRAME ROPS LEFT		-
15	A464136	1			-

27.3.2024

# A452147 FRONT FRAME ASSEMBLY 700 SERIES 11/2022





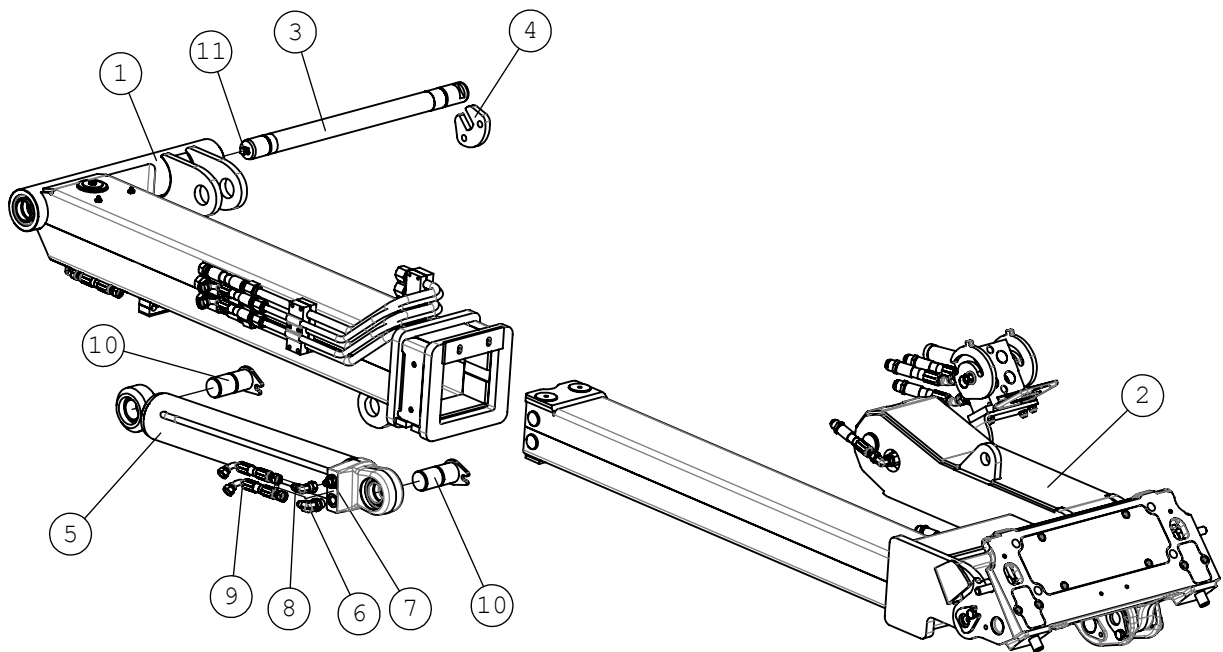
27.3.2024

**A452147 FRONT FRAME ASSEMBLY 700 SERIES 11/2022**

REF	PART NO	QTY	DESCRIPTION	NOTES	PAGE
1	A448124	1	FRONT FRAME 700 SERIES 11/2022		-
2	A34964	1	TELESCOPIC BOOM HD COMPLETE, 700 SERIES		10
2.1	A430736	1	SLIDE PAD KIT TELESCOPIC BOOM A34964 700		-
3	A445631	1	BOOM SELF LEVELLING 700 SERIES		24
4	A450588	1	CONTROL VALVE ASSEMBLY HDS16		28
5	A452574	1	STEERING COLUMN ASSEMBLY		36
6	A452815	1	HYDRAULIC HOSES ORBITROL 600-700 SERIES		38
7	A49825	1	HYDR. CYLINDER STEERING 50/30-172		-
7.1	65567	1	SEAL KIT, CYLINDER F60/F30		-
8	A47655	1	PIVOT PIN F30-60		-
9	A410452	1	BOTTOM PLATE		-
10	A440870	1	DRIVE PEDAL ASSEMBLY 700 SERIES		40
11	A465923	1	HYDR. HOSES DRIVE PEDAL		42
12	A446008	1	HYDRAULIC OIL COOLER ASSEMBLY 500-700		44
13	A48010	1	DIPSTICK L=230 HYDR. OIL R1 1/4"		-
14	65205	1	HYDR. OIL FILTER RETURN, COMPLETE		-
14.1	65227	1	HYDR. OIL FILTER CARTRIDGE, RETURN		-
14.2	A427821	1	SEAL KIT HYDRAULIC RETURN OIL FILTER		-
14.3	A430808	1	FILTER BOWL LONG, HYDR. RETURN OIL		-
15	64352	1	HEXAGONAL DRAIN PLUG, MAGNETIC R 1/2		-
16	75117	1	SEAL RING F26/F21*1,5		-
17	A446013	1	COVER WITH STOPPERS		-
18	A413262	2	BUSHING F19/F10, FLOOR RAISING, 700		-
19	65238	2	RUBBER MOUNT, CYLINDRICAL		-
20	74781	2	HEXAGONAL NUT M6 WITH FLANGE		-
21	72130	4	HEXAGONAL SCREW M8*20		-
22	75100	6	SPACER NORDLOCK M8 NL8, PAIR		-
23	73040	1	HEXAGONAL SCREW M10*20 DIN 933 ZN		-
24	74531	1	SPACER NORDLOCK M10, PAIR		-
25	71884	2	HEXAGONAL HEAD SCREW M 8*25 DIN 912 2		-
26	A442639	1	CABLE TIE 7,6*390 M6 BLACK		-

27.3.2024

# A34964 TELESCOPIC BOOM HD COMPLETE, 700 SERIES



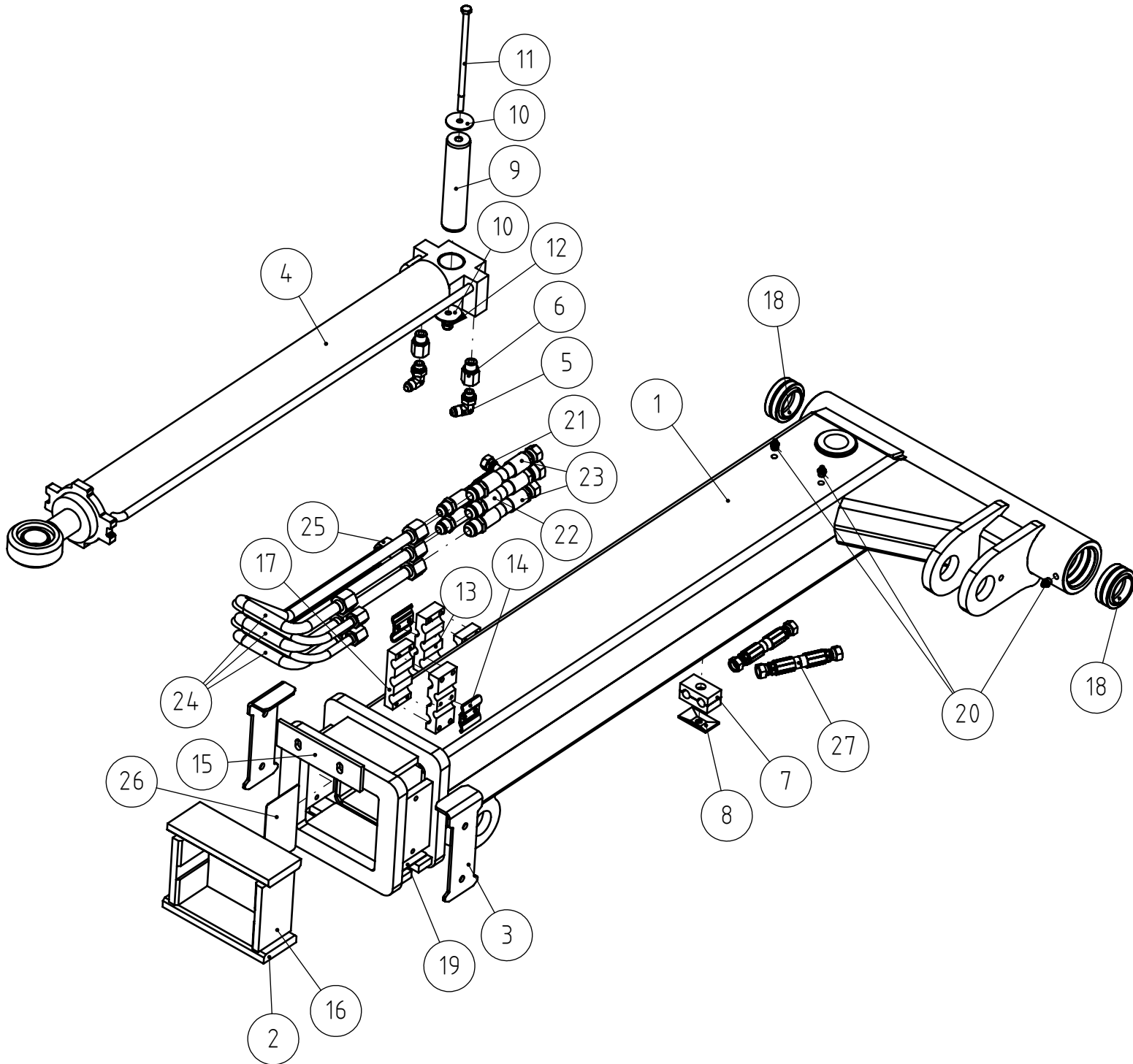
27.3.2024

**A34964 TELESCOPIC BOOM HD COMPLETE, 700 SERIES**

REF	PART NO	QTY	DESCRIPTION	NOTES	PAGE
1	A34965	1	OUTER BOOM HD, ASSEMBLY, 700 SERIES		12
2	A34966	1	INNER BOOM HD, ASSEMBLY, 700 SERIES		14
3	A49725	1	PIVOT PIN F40-564		-
4	A49723	1	LOCKING PLATE		-
5	A420808	1	HYDRAULIC CYLINDER F80/F40-450		-
5.1	65002	1	SEAL KIT, 80/40CYLINDER		-
5.2	64911	2	ARTICUL. BEARING GE40ES F62/40-28(22)		-
6	64044	1	ELBOW FITTING 90° C40XS10-3/8 /8		-
7	64041	1	BASIC FITTING F40XS10-3/8 /8		-
8	64043	1	ELBOW FITTING 90° C6XS10		-
9	A47635	2	HYDR. HOSE L=1720 2LW-06		-
10	A47041	2	PIVON PIN F40-90		-
11	74082	1	GREASE NIPPLE R1/8" 90 DEGREE		-
-	A430736	1	SLIDE PAD KIT TELESCOPIC BOOM A34964 700		-

27.3.2024

# A34965 OUTER BOOM HD, ASSEMBLY, 700 SERIES



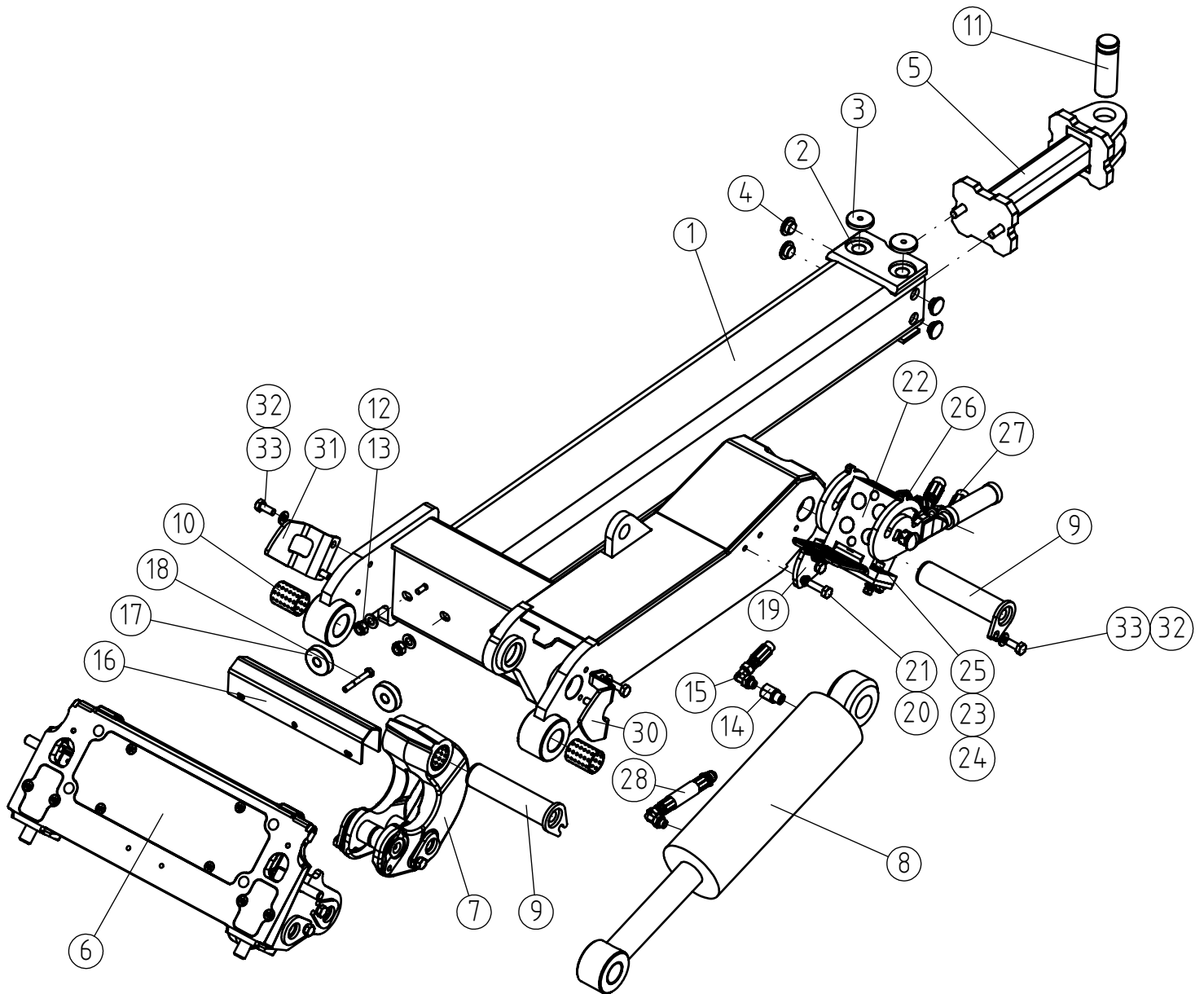
27.3.2024

**A34965 OUTER BOOM HD, ASSEMBLY, 700 SERIES**

REF	PART NO	QTY	DESCRIPTION	NOTES	PAGE
1	A455132	1	OUTER BOOM HD 700 SERIES		-
2	A48339	2	SLIDE PAD 15*72*194		-
3	A412833	2	COVER PLATE		-
4	A412829	1	HYDR. CYLINDER F63/F36 TELESCOPE 700SE		-
4.1	A418403	1	SEAL KIT, 63/36 CYLINDER TELEBOOM 700 SE		-
4.2	A450703	1	ARTICULATION BEARING GE35ES 55/35-25(20)		-
4.3	A442987	1	SLIDE BEARING F39/F35-30		-
5	64087	2	ELBOW FITTING 90 DEGR. /4#		-
6	64324	2	REDUCER FITTING RI 3/8"-EDX 1/4"		-
7	64886	1	PIPE CLAMP 214/14		-
8	73767	1	COVER PLATE GD2-D, PIPE CLAMP		-
9	A412867	1	PIVOT PIN F35 L=157		-
10	A48492	2	WASHER M8X40		-
11	74757	1	HEXAGONAL SCREW M8*180 DIN 931		-
12	72320	1	HEXAGONAL NUT M8 NYLOC DIN 985		-
13	A47562	1	BRACKET, HYDR.PIPE F16/F12		-
14	A47563	2	BRACKET, HYDR.PIPE F12		-
15	A48367	1	SCRAPER		-
16	A412868	2	SLIDE PAD 15X72X118		-
17	A47561	1	BRACKET, HYDR. PIPE F16		-
18	64911	2	ARTICUL. BEARING GE40ES F62/40-28(22)		-
19	A48014	1	ADJUSTMENT PLATE 1 MM, LONG		-
20	72798	3	GREASE NIPPLE R 1/8" STRAIGHT		-
21	A47638	2	HYDR. HOSE L=1610 2LW-06		-
22	A47681	1	HYDR. HOSE L=1020 1LW-08		-
23	A47639	2	HYDR. HOSE L=1100 2LW-08		-
24	A413413	3	HYDRAULIC TUBE F16		-
25	A413414	2	HYDRAULIC TUBE F12		-
26	A412971	1	ADJUSTMENT PLATE 117X72 1MM		-
27	A414606	2	HYDR. HOSE L=1400		-

27.3.2024

# A34966 INNER BOOM HD, ASSEMBLY, 700 SERIES



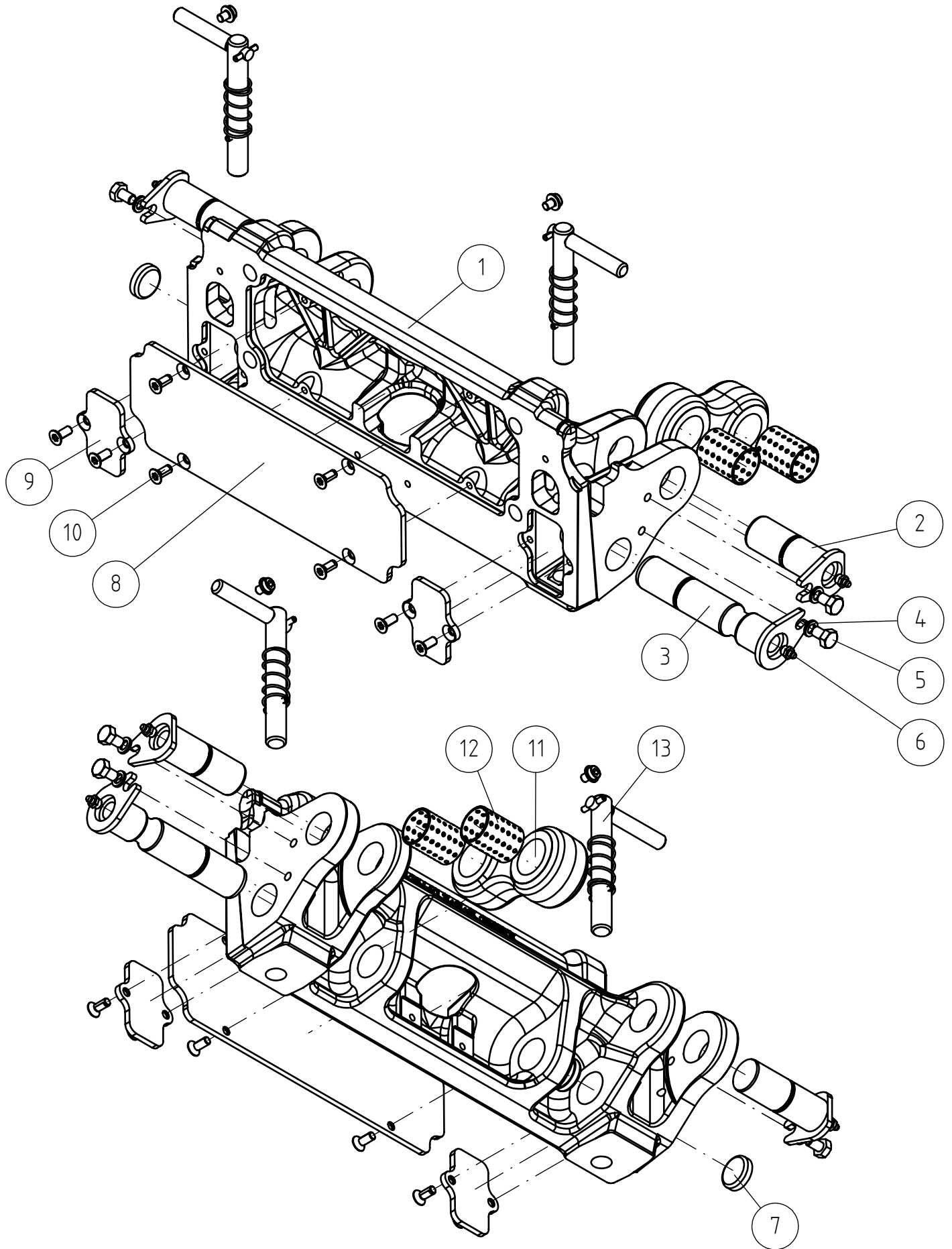
27.3.2024

**A34966 INNER BOOM HD, ASSEMBLY, 700 SERIES**

REF	PART NO	QTY	DESCRIPTION	NOTES	PAGE
1	A457006	1	INNER BOOM 700 SERIES		-
2	A47941	2	SLIDE PLATE		-
3	A47922	2	ROLLER, BOOM		-
4	A48343	4	ROLLER, BOOM		-
5	A34979	1	CONNECTING ROD		-
6	A436601	1	ATTACHMENT COUPLING PLATE CAST STEEL 700		16
7	A436687	1	LINKAGE PIECE "BOOMERANG" CAST STEEL		20
8	A412830	1	HYDR. CYLINDER F100/F40 TILT CYLINDE		-
8.1	A418435	1	SEAL KIT, 100/45 CYLINDER, TILT 700 SERI		-
8.2	64911	1	ARTICUL. BEARING GE40ES F62/40-28(22)		-
9	A412810	2	PIVOT PIN F40-167		-
10	64913	2	SLIDE BEARING BRM-80 F39/F35-50		-
11	A412870	1	PIVOT PIN F35 L=104		-
12	71691	2	WASHER M12 A13 DIN 125		-
13	72324	2	HEXAGONAL NUT M 12 NYLOC DIN 985		-
14	64324	1	REDUCER FITTING RI 3/8"-EDX 1/4"		-
15	64087	2	ELBOW FITTING 90 DEGR. /4#		-
16	A413816	1	SERVICE SUPPORT, LIFT CYLINDER		-
17	64188	2	FINGER SCREW R5026M8S		-
18	72139	1	HEXAGONAL SCREW M 8*60 DIN 931		-
19	A410804	1	MOUNTING BRACKET, MULTI CONNECTOR LOADER		-
20	74531	2	SPACER NORDLOCK M10, PAIR		-
21	74505	2	HEXAGONAL SCREW M10*35 DIN 933 ZN		-
22	65252	1	MULTI CONNECTOR, ON LOADER		22
23	73122	4	WASHER M8 A8,4 DIN 125 ZN		-
24	72320	4	HEXAGONAL NUT M8 NYLOC DIN 985		-
25	71884	4	HEXAGONAL HEAD SCREW M 8*25 DIN 912 2		-
26	64058	3	BASIC FITTING F40XS12-1/2		-
27	A414911	3	HYDR. HOSE L=1150 2LW-08		-
28	A414913	1	HYDR. HOSE L=1550 2LW-06		-
29	A414912	1	HYDR. HOSE L=1250 2LW-06		-
30	A430655	1	RELEASE PLATE		-
31	A432890	1	RELEASE PLATE RIGHT		-
32	75102	5	SPACER NORDLOCK M10 NL10SP, PAIR		-
33	72150	5	HEXAGONAL SCREW M10*25 DIN 933 ZN		-

27.3.2024

# A436601 ATTACHMENT COUPLING PLATE CAST STEEL 700





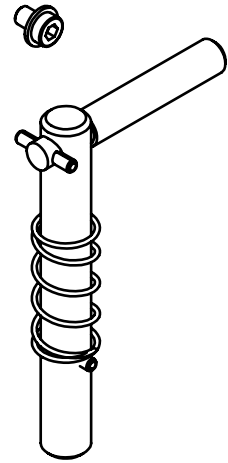
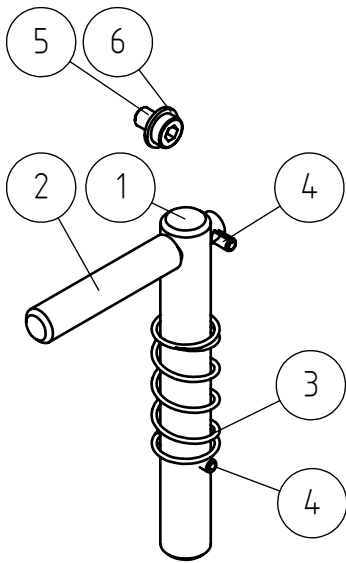
27.3.2024

**A436601 ATTACHMENT COUPLING PLATE CAST STEEL 700**

REF	PART NO	QTY	DESCRIPTION	NOTES	PAGE
1	A435467	1	ATTACHMENT COUPLING PLATE ADI CAST STEEL		-
2	A412814	2	PIVOT PIN F35-98		-
3	A427469	1	PIVOT PIN 35-175		-
4	74531	3	SPACER NORDLOCK M10, PAIR		-
5	72147	3	HEXAGONAL SCREW M 10*16 DIN 933		-
6	72798	3	GREASE NIPPLE R 1/8" STRAIGHT		-
7	A436582	2	SEALING PUSH-IN CAP 35MM DIN 443		-
8	A427458	1	COVERING PLATE 378X127 ATTACHM COUPL PLA		-
9	A427464	2	COVERING PLATE 87X47 ATTACHM COUPL PLATE		-
10	A441215	8	THREAD-FORMING SCREW M8*20 ISO 14581		-
11	A430007	1	LINKAGE PIECE 700/800 SERIES		-
12	64913	2	SLIDE BEARING BRM-80 F39/F35-50		-
13	A436614	1	LOCKING PIN ASSEMBLY ATTACHM COUPL PLATE		18

27.3.2024

# A436614 LOCKING PIN ASSEMBLY ATTACHM COUPL PLATE



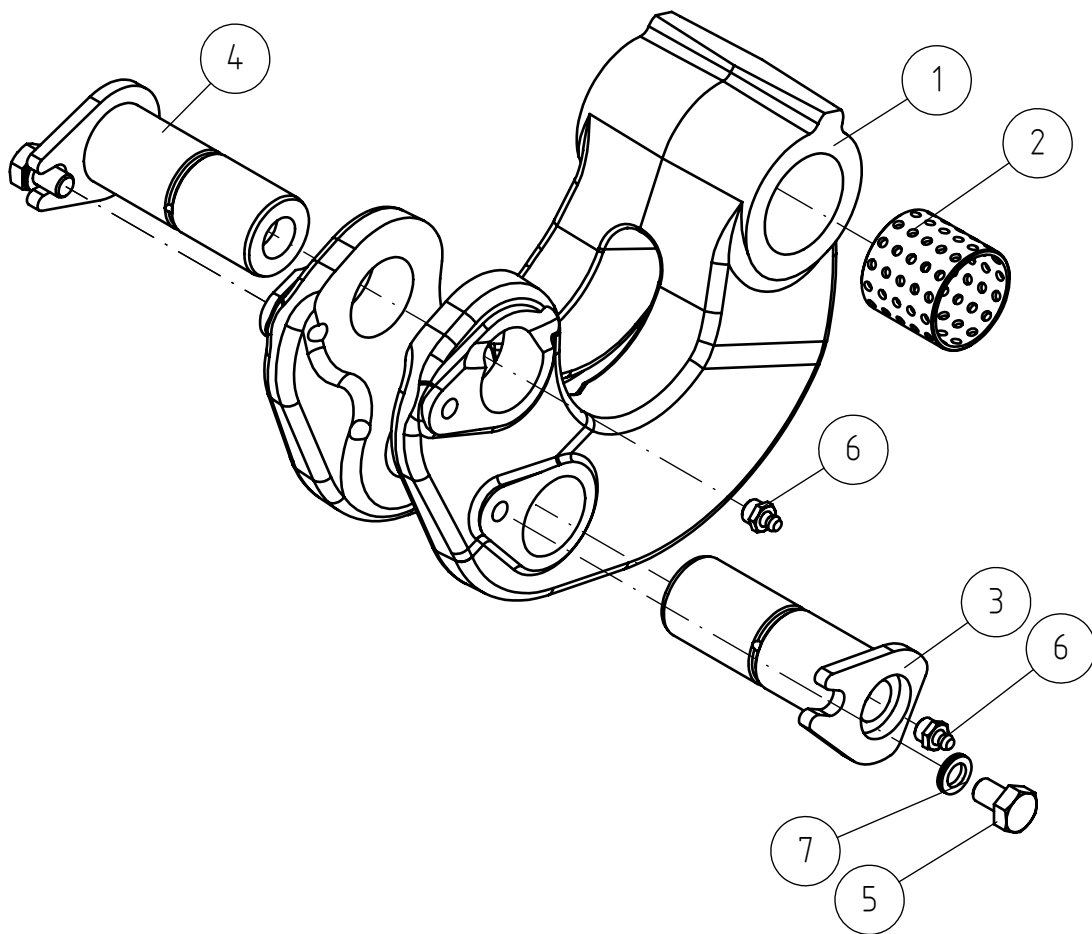
27.3.2024

**A436614 LOCKING PIN ASSEMBLY ATTACHM COUPL PLATE**

REF	PART NO	QTY	DESCRIPTION	NOTES	PAGE
1	A47687	2	LOCKING PIN F20		-
2	A47688	2	LATCH PIN		-
3	64138	2	COMPRESSION SPRIG DIN 2098 2*25*135		-
4	73661	4	SPRING PIN 5*30 DIN 1481		-
5	74932	2	HEXAGONAL HEAD SCREW M8*12		-
6	73122	2	WASHER M8 A8,4 DIN 125 ZN		-

27.3.2024

# A436687 LINKAGE PIECE "BOOMERANG" CAST STEEL



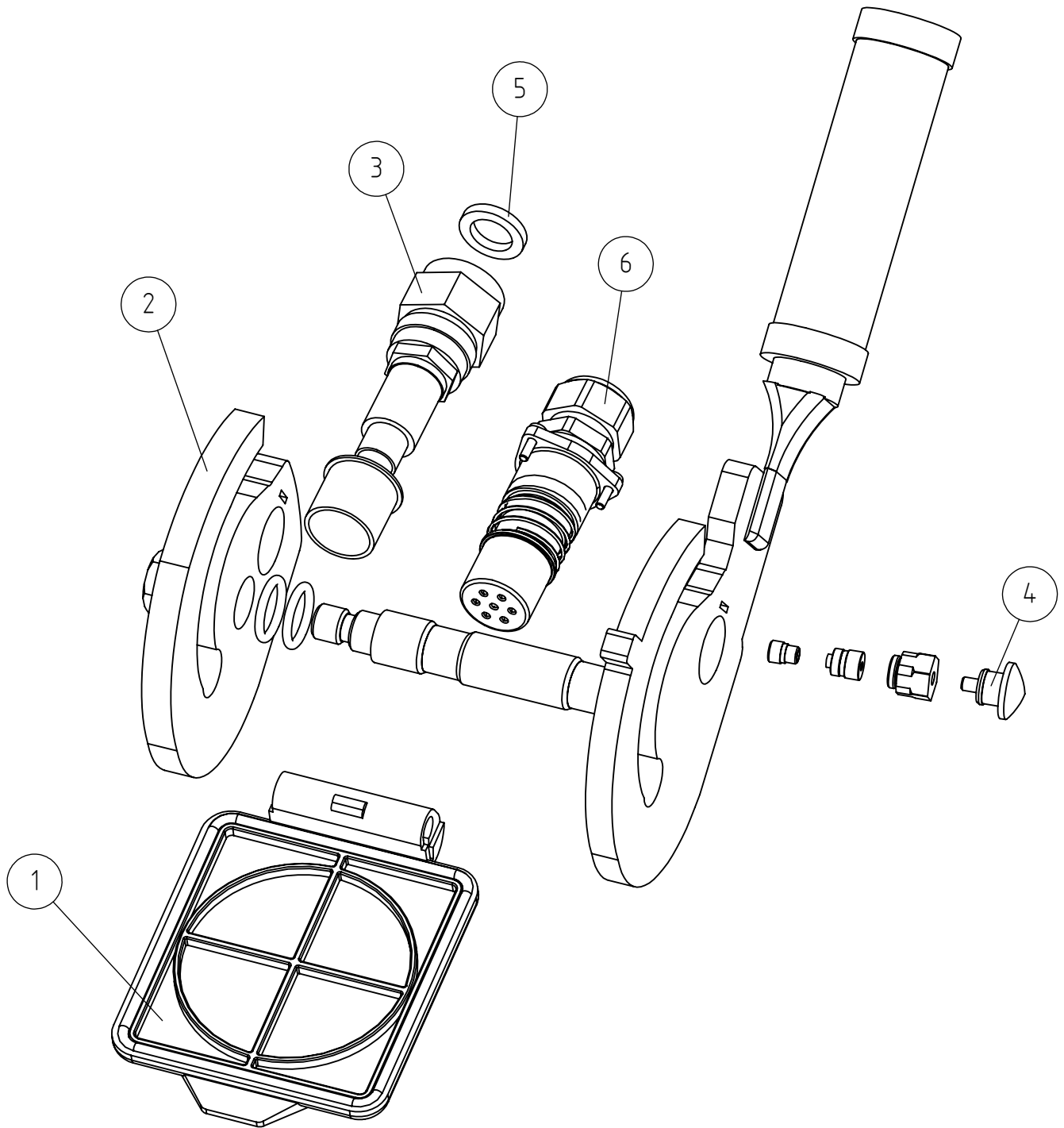
27.3.2024

**A436687 LINKAGE PIECE "BOOMERANG" CAST STEEL**

REF	PART NO	QTY	DESCRIPTION	NOTES	PAGE
1	A435456	1	LINKAGE PIECE "BOOMERANG" CAST STEEL ADI		-
2	64912	2	SLIDE BEARING BRM-80 TF44/F40-40		-
3	A430579	1	PIVOT PIN 35-103		-
4	A430582	1	PIVOT PIN 35-92		-
5	72147	2	HEXAGONAL SCREW M 10*16 DIN 933		-
6	72798	2	GREASE NIPPLE R 1/8" STRAIGHT		-
7	74531	2	SPACER NORDLOCK M10, PAIR		-

27.3.2024

# 65252 MULTI CONNECTOR, ON LOADER



27.3.2024

**65252 MULTI CONNECTOR, ON LOADER**

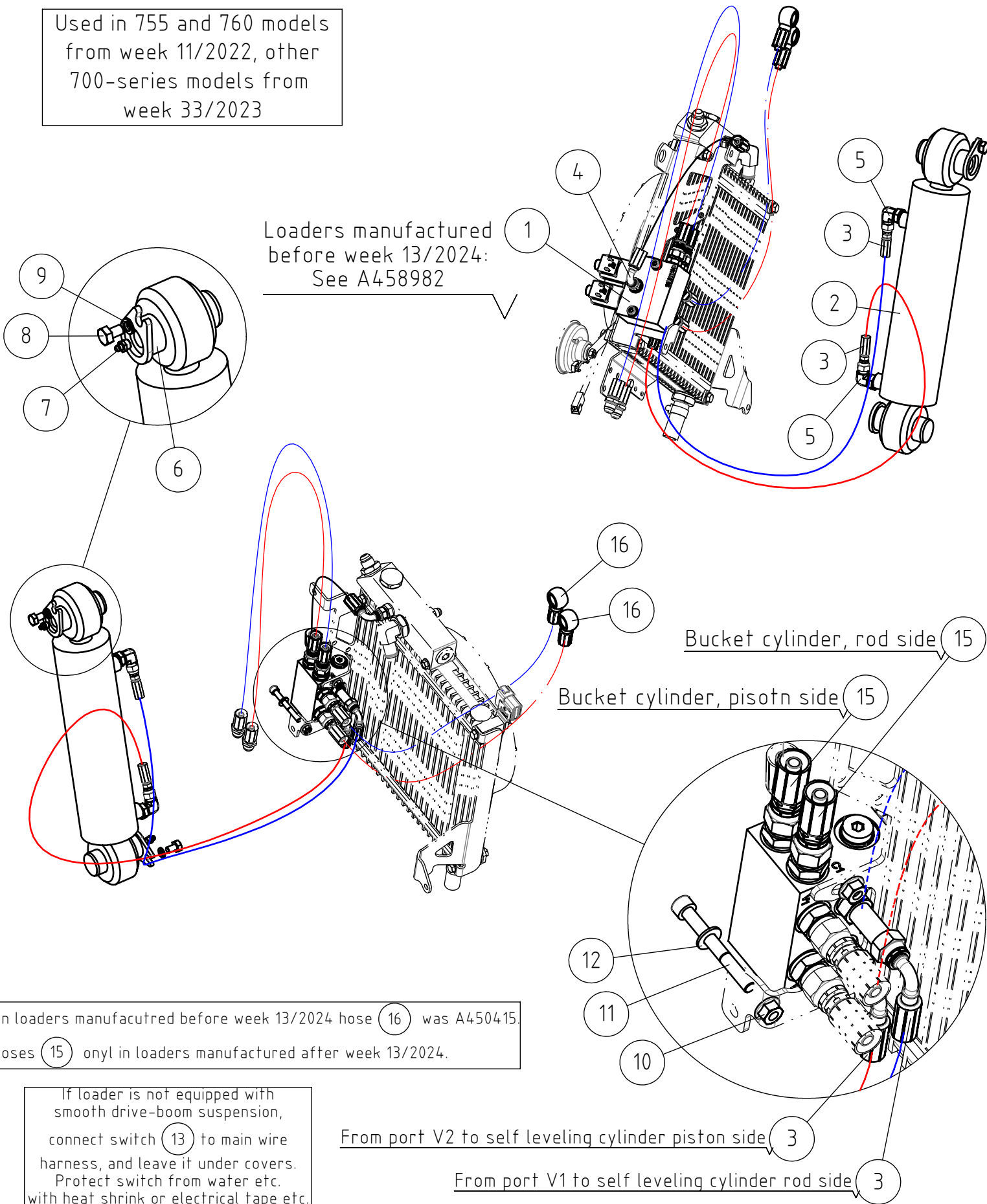
REF	PART NO	QTY	DESCRIPTION	NOTES	PAGE
1	65882	1	CAP PLATE, KIT, MULTI CONNECTOR		-
2	65884	1	HANDLE, KIT, MULTI CONNECTOR ON LOADER		-
3	65881	1	QUICK COUPLER, ON MULTI CONNECTOR		-
4	65883	1	SAFETY BUTTON, KIT, MULTI CONNECTOR		-
5	65880	1	SEAL RING, MULTI CONNECTOR SK MF 12		-
6	75035	1	ELECTRIC CONNECTOR FEMININE, FASTER		-

27.3.2024

# A445631 BOOM SELF LEVELLING 700 SERIES

Used in 755 and 760 models  
from week 11/2022, other  
700-series models from  
week 33/2023

Loaders manufactured  
before week 13/2024:  
See A458982



On loaders manufactured before week 13/2024 hose 16 was A450415.  
Hoses 15 only in loaders manufactured after week 13/2024.

If loader is not equipped with  
smooth drive-boom suspension,  
connect switch 13 to main wire  
harness, and leave it under covers.  
Protect switch from water etc.  
with heat shrink or electrical tape etc.



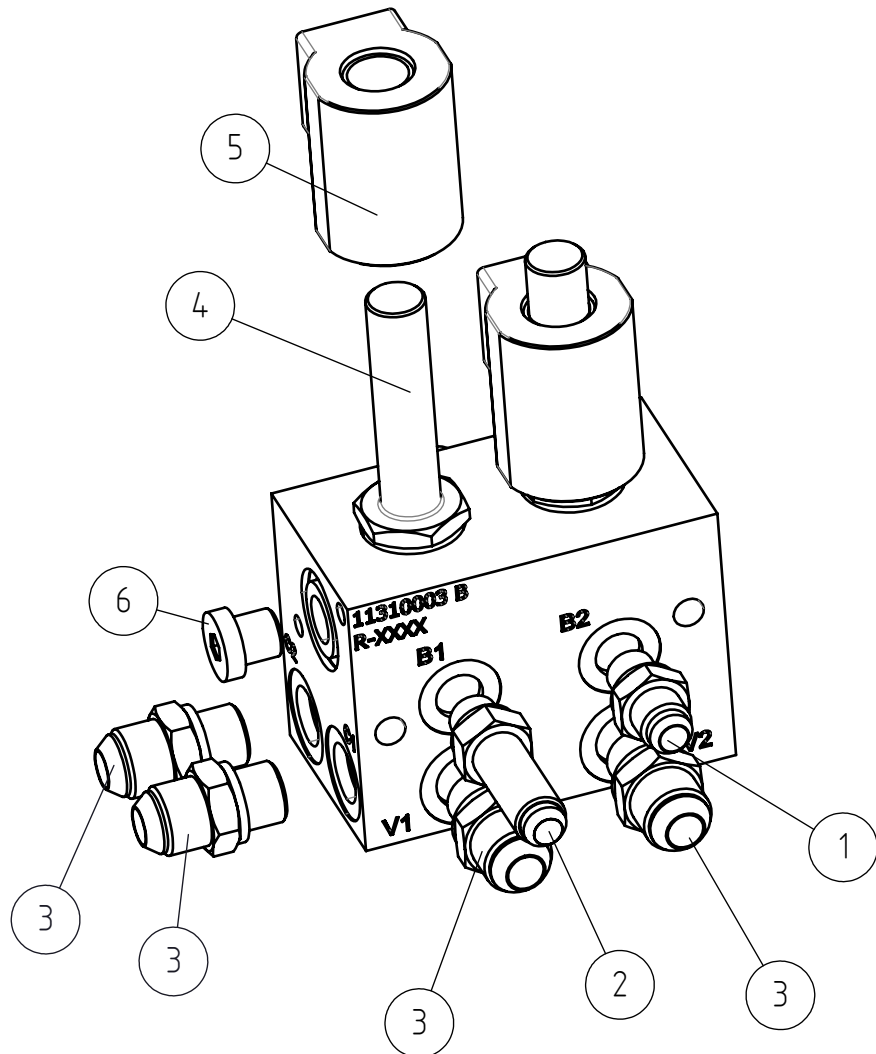
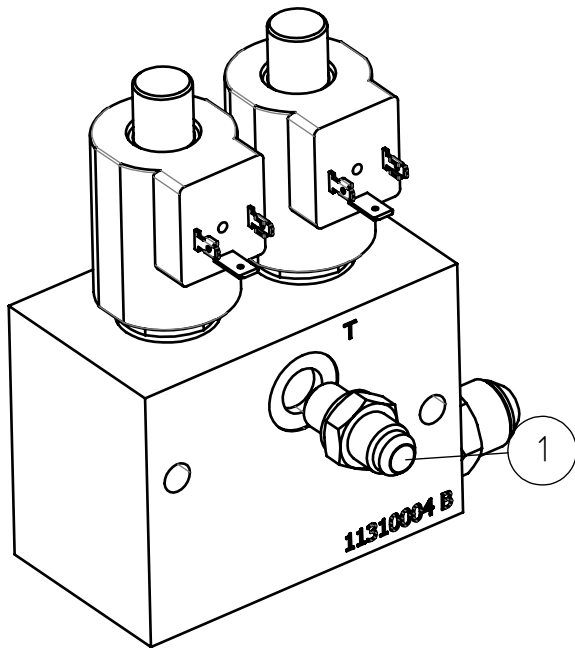
27.3.2024

**A445631 BOOM SELF LEVELLING 700 SERIES**

REF	PART NO	QTY	DESCRIPTION	NOTES	PAGE
1	A449741	1	DIRECTIONAL VALVE ASSEMBLY BOOM FLOAT &		26
2	A412914	1	HYDR. CYLINDER F80/F36-235 SELF LEVELLI		-
2.1	A418436	1	SEAL KIT, 80/36 CYLINDER, SELF LEV 700		-
3	A436991	2	HYDR. HOSE L=1350		-
4	A450400	1	HYDR. HOSE L=500		-
5	64044	2	ELBOW FITTING 90° C40XS10-3/8 /8		-
6	A47041	2	PIVON PIN F40-90		-
7	72798	2	GREASE NIPPLE R 1/8" STRAIGHT		-
8	72147	2	HEXAGONAL SCREW M 10*16 DIN 933		-
9	74531	2	SPACER NORDLOCK M10, PAIR		-
10	74782	2	HEXAGONAL NUT M8 WITH FLANGE		-
11	A442472	2	HEXAGONAL HEAD SCREW M8*70 DIN 912 8.8		-
12	73122	2	WASHER M8 A8,4 DIN 125 ZN		-
13	A437190	1	SWITCH SMOOTH DRIVE		-
14	A440277	1	WIRE HARNESS SMOOTH DRIVE, TO VALVES		-
15	A456237	2	HYDR. HOSE L=1150		-
16	A458114	2	HYDR. HOSE L=1000		-

27.3.2024

# A449741 DIRECTIONAL VALVE ASSEMBLY BOOM FLOAT &

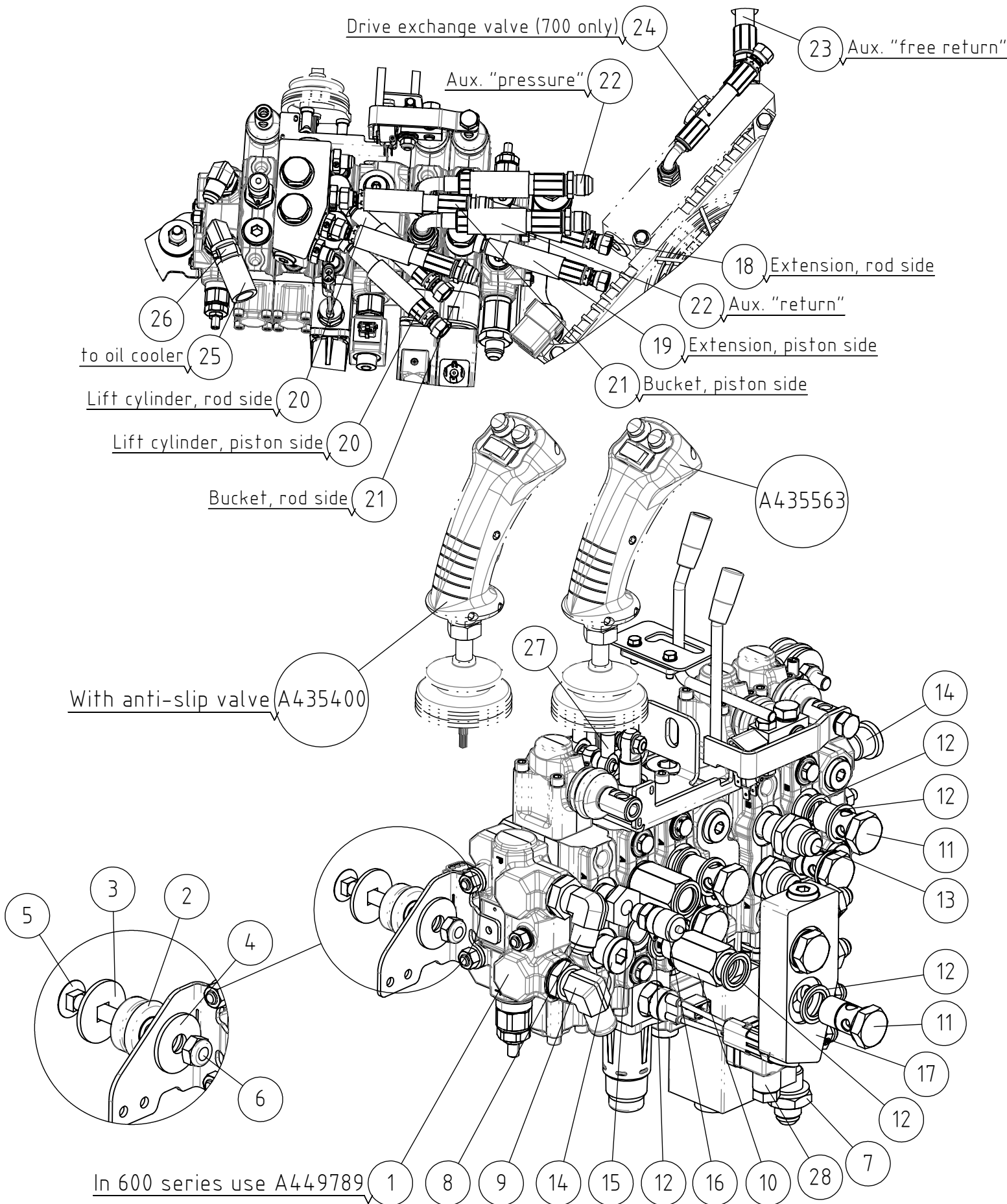


27.3.2024

**A449741 DIRECTIONAL VALVE ASSEMBLY BOOM FLOAT &**

REF	PART NO	QTY	DESCRIPTION	NOTES	PAGE
1	64059	2	BASIC FITTING F40XS10-1/4		-
2	A453598	1	BASIC FITTING G1/4" OUTSIDE THREAD		-
3	64042	4	BASIC FITTING F40XS12-3/8 /8		-
4	A432527	2	VALVE CARTRIDGE 3/2 CONTROL VALVE		-
5	A432544	2	SOLENOID 12V / 26W		-
6	64700	1	HEXAGONAL PLUG R 1/4"		-

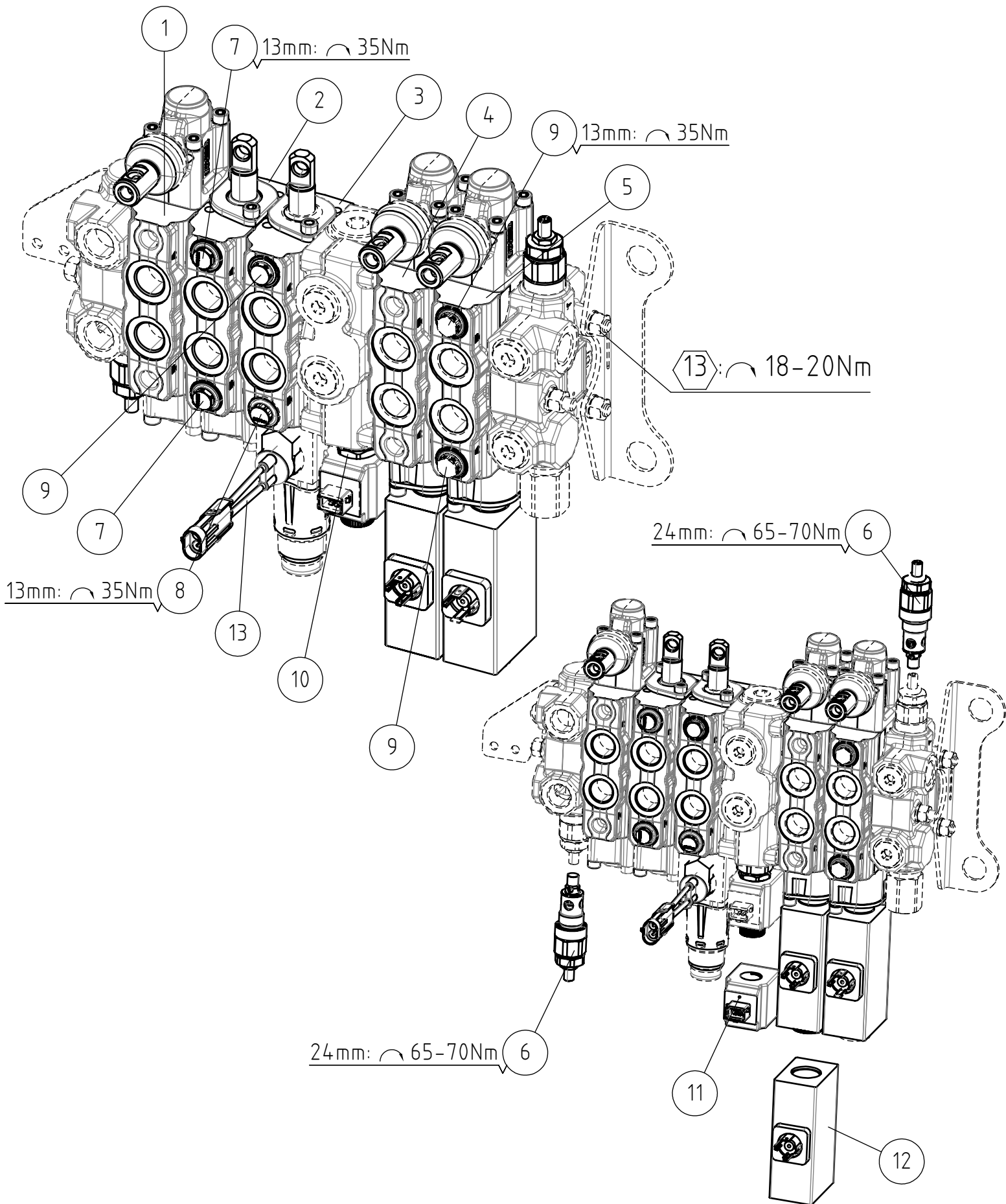
# A450588 CONTROL VALVE ASSEMBLY HDS16



## A450588 CONTROL VALVE ASSEMBLY HDS16

REF	PART NO	QTY	DESCRIPTION	NOTES	PAGE
1	A429030	1	CONTROL VALVE HDS16		30
1.1	A439953	1	VALVE SECTION WITH BOOM FLOATING CONTROL		-
1.2	A447990	1	SEAL KIT CONTROL VALVE BUCHER A429030		-
2	A431033	3	VIBRATION DAMPER SCBR 45SH		-
3	A431029	3	SPACER 3MM		-
4	A431034	3	WASHER Ø38/12,5, S=3 SCBR 38		-
5	A437458	3	CARRIAGE BOLT M10*50 DIN603		-
6	72322	3	HEXAGONAL NUT M 10 NYLOC DIN 985		-
7	64058	1	BASIC FITTING F40XS12-1/2		-
8	64045	1	ELBOW FITTING 90° C40XS12-1/2 /2		-
9	A449632	1	HOSE BARB 90 DEGR. G1/2" - 20MM		-
10	A444789	2	BUSHING G1/2_G1/2		-
11	73959	6	BANJO BOLT R 1/2"		-
12	73047	14	USIT SEAL RING R/12"		-
13	65060	2	BASIC FITTING F40XS16-1/2		-
14	64174	2	HEXAGONAL DRAIN PLUG HF 1/2" WITH SEAL		-
15	64743	1	REDUCER FITTING R1/2" - EDX 1/4"		-
16	64196	1	MANOMETER FITTING M16*2		-
17	A446806	1	HYDRAULIC MANIFOLD ASSEMBLY CONTROL		-
18	A450589	1	HYDR. HOSE L=1430		-
19	A450590	1	HYDR. HOSE L=1330		-
20	A450594	2	HYDR. HOSE L=1650		-
21	A446821	2	HYDR. HOSE L=1410		-
22	A450591	2	HYDR. HOSE L=1180		-
23	A446841	1	HYDR. HOSE L=820		-
24	A434555	1	HYDR. HOSE L=2200		-
25	A450526	1	INLET HOSE L=730 D19		-
26	73530	2	HOSE CLAMP 22-32 MM		-
27	A452569	1	CONTROL LEVERS ASSEMBLY CONTROL VALVE		32
28	A424994	1	WIRE HARNESS SOLENOID VALVE 528-700		-

# A429030 CONTROL VALVE HDS16



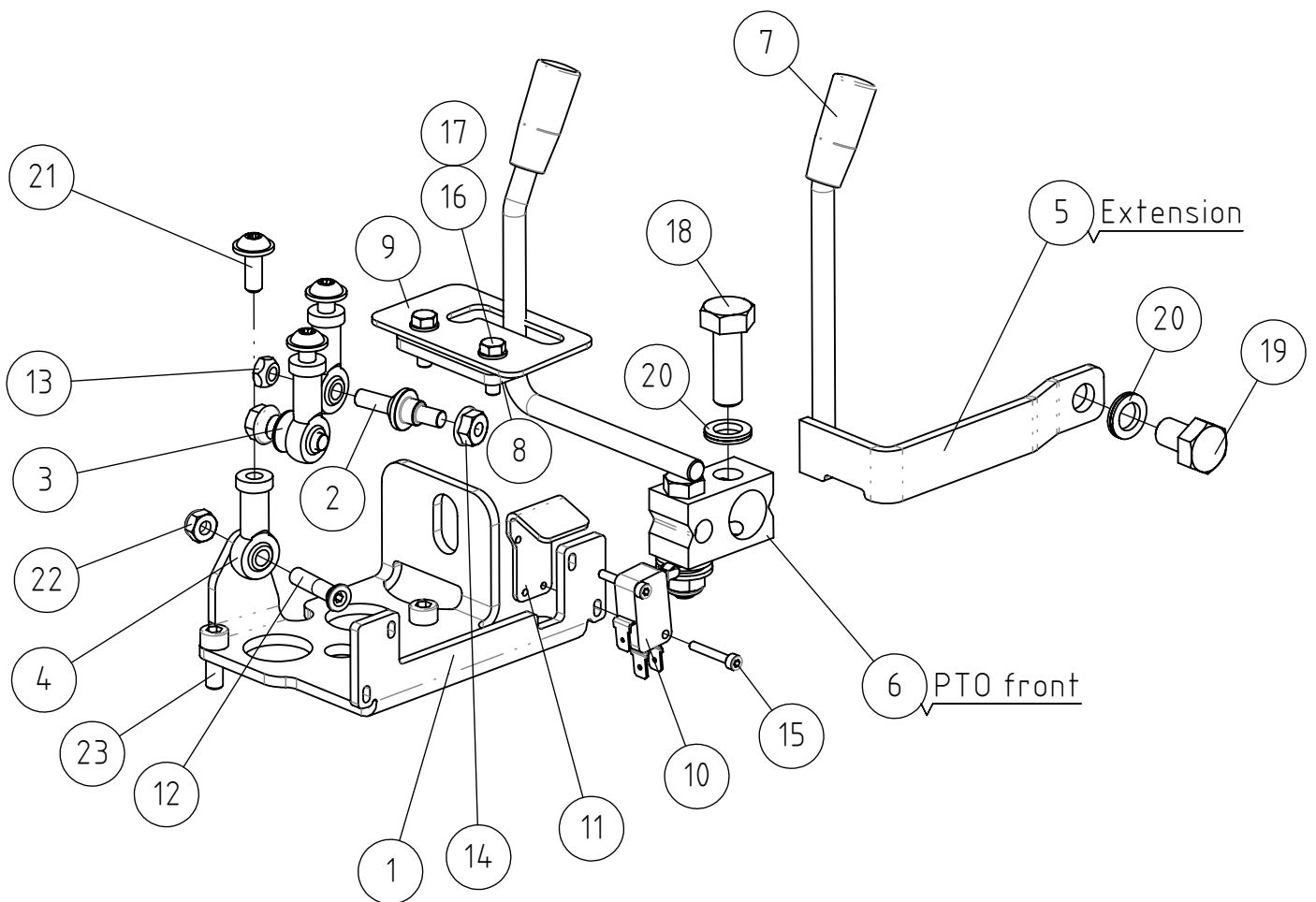
27.3.2024

**A429030 CONTROL VALVE HDS16**

REF	PART NO	QTY	DESCRIPTION	NOTES	PAGE
1	A449639	1	VALVE SECTION REAR AUX. HYDR., CONTROL		-
2	A449637	1	VALVE SECTION TILT CYLINDER CONTROL		-
3	A439953	1	VALVE SECTION WITH BOOM FLOATING CONTROL		-
4	A449636	1	VALVE SECTION EXTRA FRONT AUX. HYDR.,		-
5	A443909	1	VALVE SECTION TELESCOPE, CONTROL VALVE		-
6	A449641	2	PRESSURE RELIEF VALVE CARTRIDGE 150-250		-
7	A449642	2	SHOCK- SUCTION VALVE CARTRIDGE 280 BAR		-
8	A449644	1	SHOCK- SUCTION VALVE CARTRIDGE 320 BAR		-
9	A449645	3	SUCTION VALVE CARTRIDGE HDS16		-
10	A449647	1	VALVE CARTRIDGE 2/2 PUMP SELECTION HDS16		-
11	A441534	1	SOLENOID 12V/21W + DIODE		-
12	A434106	1	SOLENOID 12VDC/60W PUSH-PULL		-
13	A449646	1	MICROSWITCH SAE 6 TO CONTROL VALVE HDS16		-
14	A447990	1	SEAL KIT CONTROL VALVE BUCHER A429030		-
-	A439953	1	VALVE SECTION WITH BOOM FLOATING CONTROL		-
-	A447990	1	SEAL KIT CONTROL VALVE BUCHER A429030		-

27.3.2024

# A452569 CONTROL LEVERS ASSEMBLY CONTROL VALVE





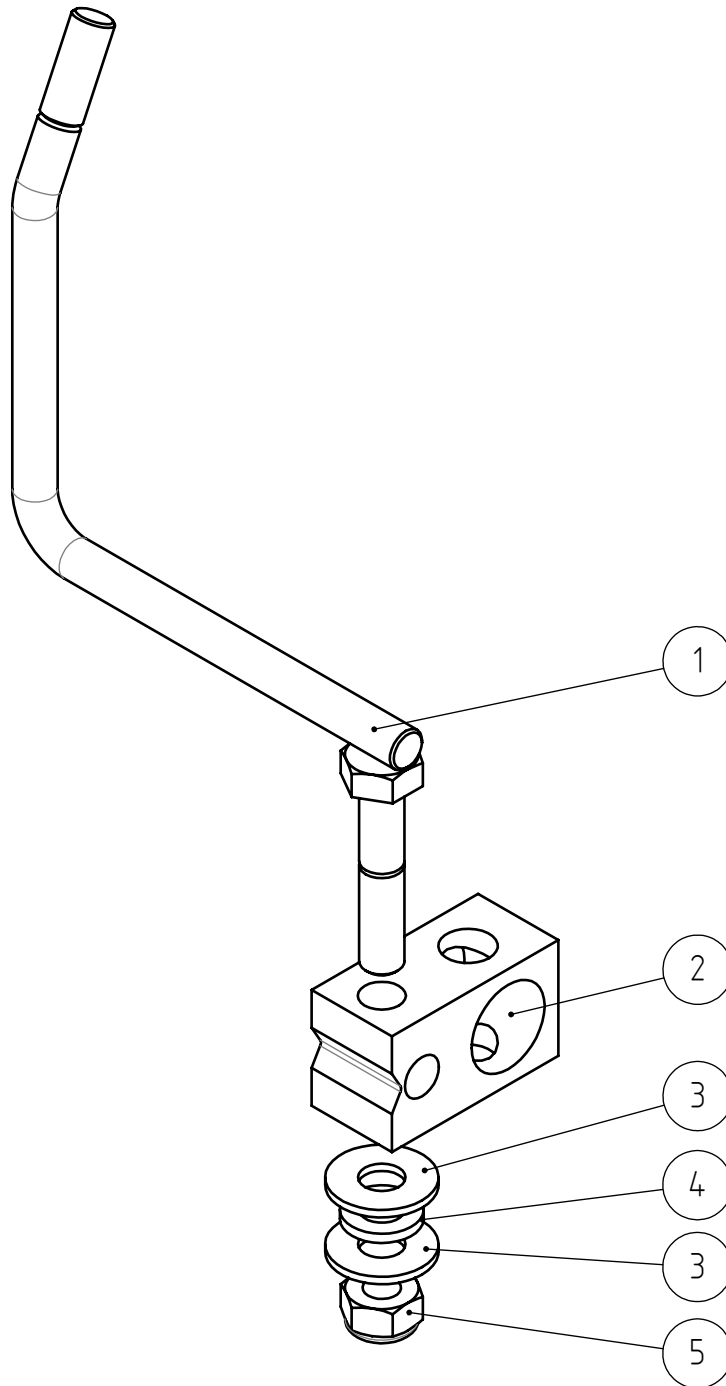
27.3.2024

**A452569 CONTROL LEVERS ASSEMBLY CONTROL VALVE**

REF	PART NO	QTY	DESCRIPTION	NOTES	PAGE
1	A452529	1	BOTTOM PLATE CONTROL LEVERS 600-800 SER		-
2	A431066	1	PIN LONG CONTROL LEVERS M6 THREAD		-
3	A450523	1	BOLT CONTROL LEVER		-
4	65501	3	ROD END JAF 6		-
5	A442075	1	CONTROL LEVER TELEBOOM 800 SERIES		-
6	A436748	1	CONTROL LEVER AUX. HYDR. FRONT ASSEMBLY		34
7	74761	2	KNOB, CONTROL LEVER		-
8	A48360	1	LOCKING PIECE		-
9	A410901	1	LOCKING PLATE, CONTROL LEVER		-
10	64504	1	MICROSWITCH		-
11	A449831	1	TIGHTENING PLATE MICROSWITCH		-
12	A450520	1	HEXAGONAL HEAD SCREW M6*25 10.9		-
13	A41822	1	LEVERAGE NUT M 6		-
14	74781	2	HEXAGONAL NUT M6 WITH FLANGE		-
15	A435740	2	HEXAGONAL HEAD SCREW M3*20 DIN 912		-
16	72110	2	HEX. SCREW M5*16 DIN 933		-
17	74448	2	WASHER M5 A5,3 DIN 125 ZN		-
18	72151	1	HEXAGONAL SCREW M10*30 DIN 933 ZN		-
19	72147	1	HEXAGONAL SCREW M 10*16 DIN 933		-
20	74531	2	SPACER NORDLOCK M10, PAIR		-
21	A442149	3	THREAD-FORMING SCREW M6*16 BN219-8.8		-
22	72318	1	HEXAGONAL NUT M 6 DIN 985 NYLOC		-
23	73766	2	HEXAGONAL HEAD SCREW M6*16 DIN 912 2 8.8		-

27.3.2024

# A436748 CONTROL LEVER AUX. HYDR. FRONT ASSEMBLY



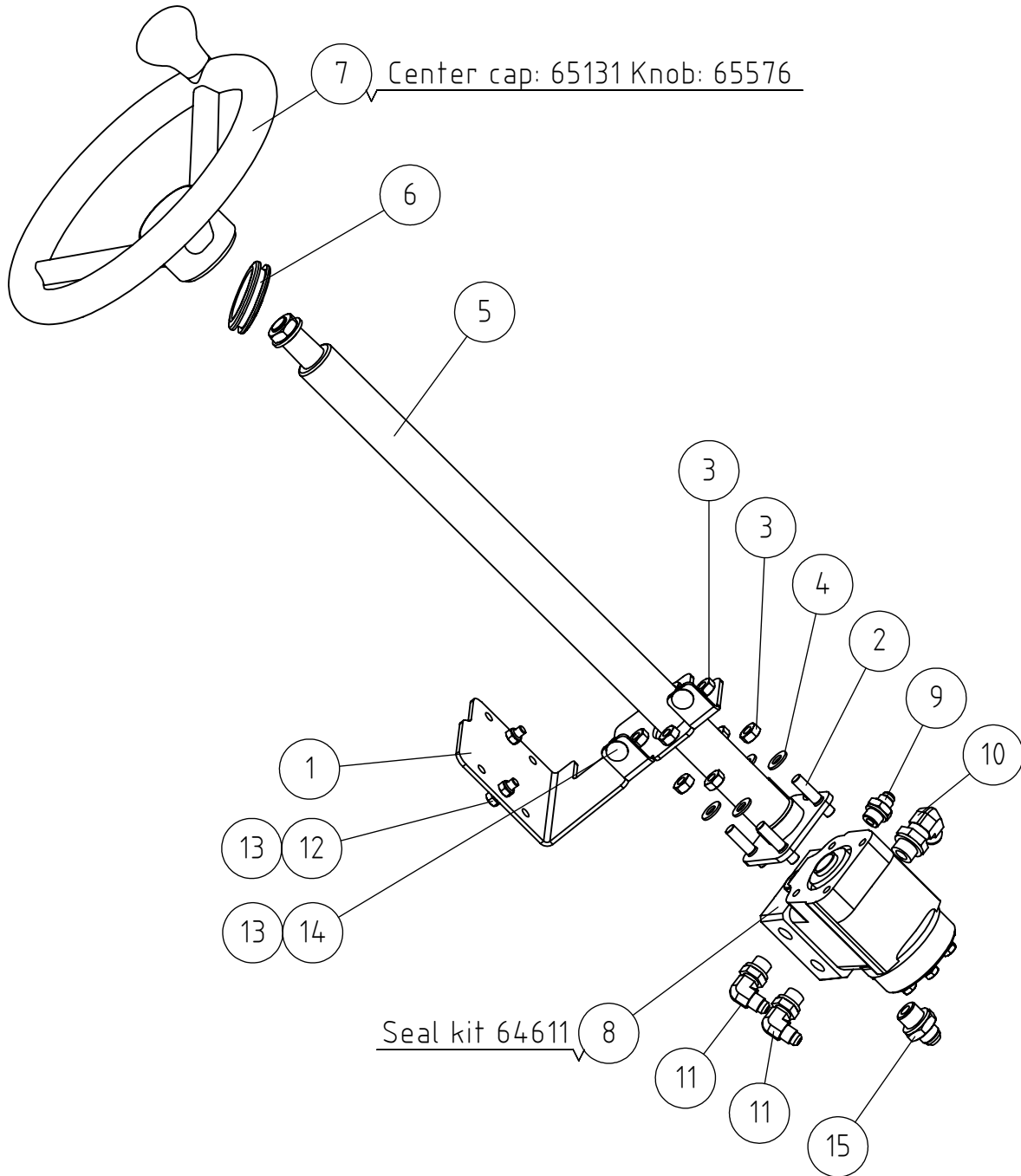
27.3.2024

**A436748 CONTROL LEVER AUX. HYDR. FRONT ASSEMBLY**

REF	PART NO	QTY	DESCRIPTION	NOTES	PAGE
1	A431076	1	CONTROL LEVER AUXILIARY HYDRAULICS FRONT		-
2	A431074	1	MOUNTING PIECE, CROSS, CONTROL LEVER		-
3	74525	2	WASHER M8 8,4*20*1,25 ZN		-
4	73962	1	WASHER M 8 DIN 127		-
5	72320	1	HEXAGONAL NUT M8 NYLOC DIN 985		-

27.3.2024

# A452574 STEERING COLUMN ASSEMBLY

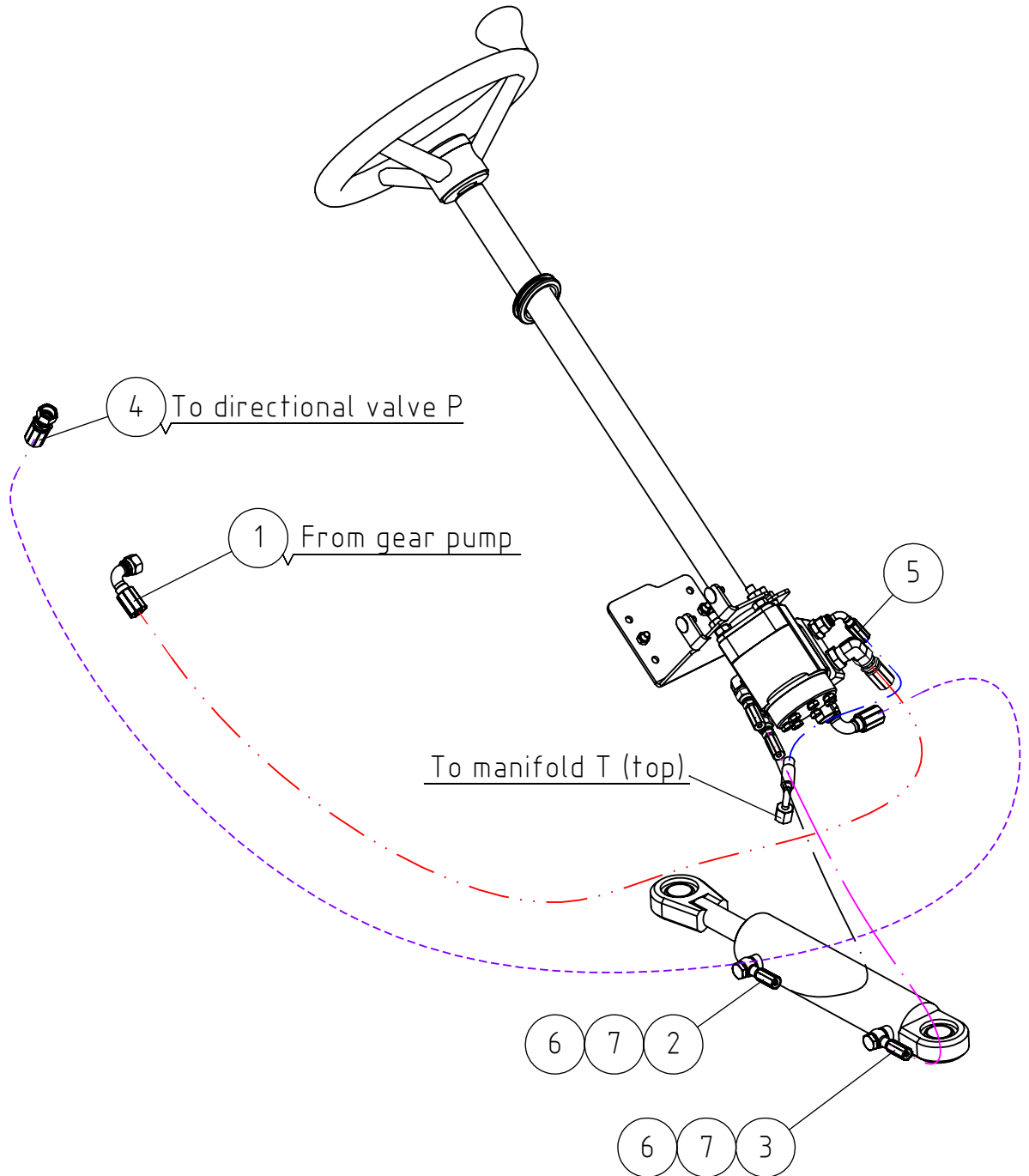


27.3.2024

**A452574 STEERING COLUMN ASSEMBLY**

REF	PART NO	QTY	DESCRIPTION	NOTES	PAGE
1	A446052	1	BRACKET ORBITROL 500-700 SERIES		-
2	74587	4	STUD M10* 35 DIN 939		-
3	72321	8	HEXAGONAL NUT M10 DIN 934		-
4	73121	4	WASHER M10 A10,5 DIN 125 ZN		-
5	66233	1	STEERING WHEEL ROD M+S KK650 -I		-
6	A428827	1	RUBBER BUSHING STEERING COLUMN		-
7	65076	1	STEERING WHEEL "AVANT" F320		-
7.1	65131	1	CENTER CAP, STEERING WHEEL		-
7.2	65576	1	KNOB, STEERING WHEEL, COBO 0034.1130		-
8	64178	1	CONTROL BLOCK M+S HKUS 80/5-140+PRDD80/7		-
8.1	A430819	1	HEXAGONAL HEAD SCREW M10*1*45 ORBITROL		-
8.2	64611	1	SEAL KIT 41 5137 0130 M+S HKUS ORBITROL		-
8.3	64612	1	SEAL KIT, PRIORITY VALVE / ORBITROL M+S		-
9	64041	1	BASIC FITTING F40XS10-3/8 /8		-
10	64045	1	ELBOW FITTING 90° C40XS12-1/2 /2		-
11	64044	2	ELBOW FITTING 90° C40XS10-3/8 /8		-
12	72132	2	HEXAGONAL SCREW M 8*25 DIN 933 ZN		-
13	72320	4	HEXAGONAL NUT M8 NYLOC DIN 985		-
14	74836	2	CARRIAGE BOLT M8*20		-
15	64058	1	BASIC FITTING F40XS12-1/2		-

# A452815 HYDRAULIC HOSES ORBITROL 600-700 SERIES



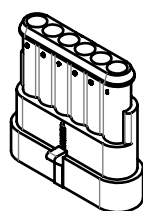
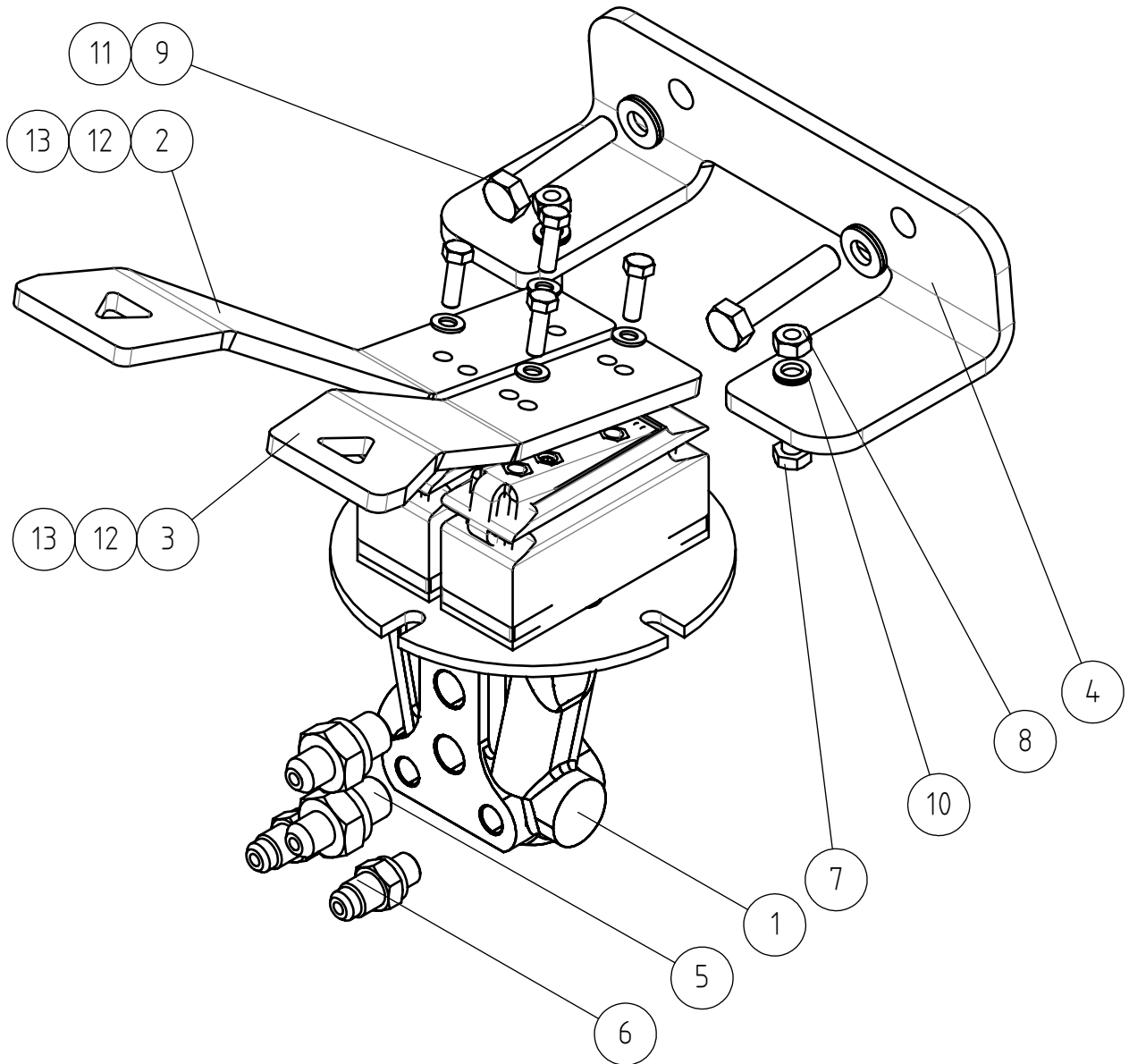
27.3.2024

**A452815 HYDRAULIC HOSES ORBITROL 600-700 SERIES**

REF	PART NO	QTY	DESCRIPTION	NOTES	PAGE
1	A48210	1	HYDR. HOSE L=1110		-
2	A462712	1	HYDR. HOSE L=1100		-
3	A462714	1	HYDR. HOSE L=850		-
4	A434550	2	HYDR. HOSE L=1900		-
5	A410017	1	HYDR. HOSE L=400		-
6	64557	2	BANJO BOLT R 1/4"		-
7	73757	4	USIT COMPRESSION R1/4"		-

27.3.2024

# A440870 DRIVE PEDAL ASSEMBLY 700 SERIES



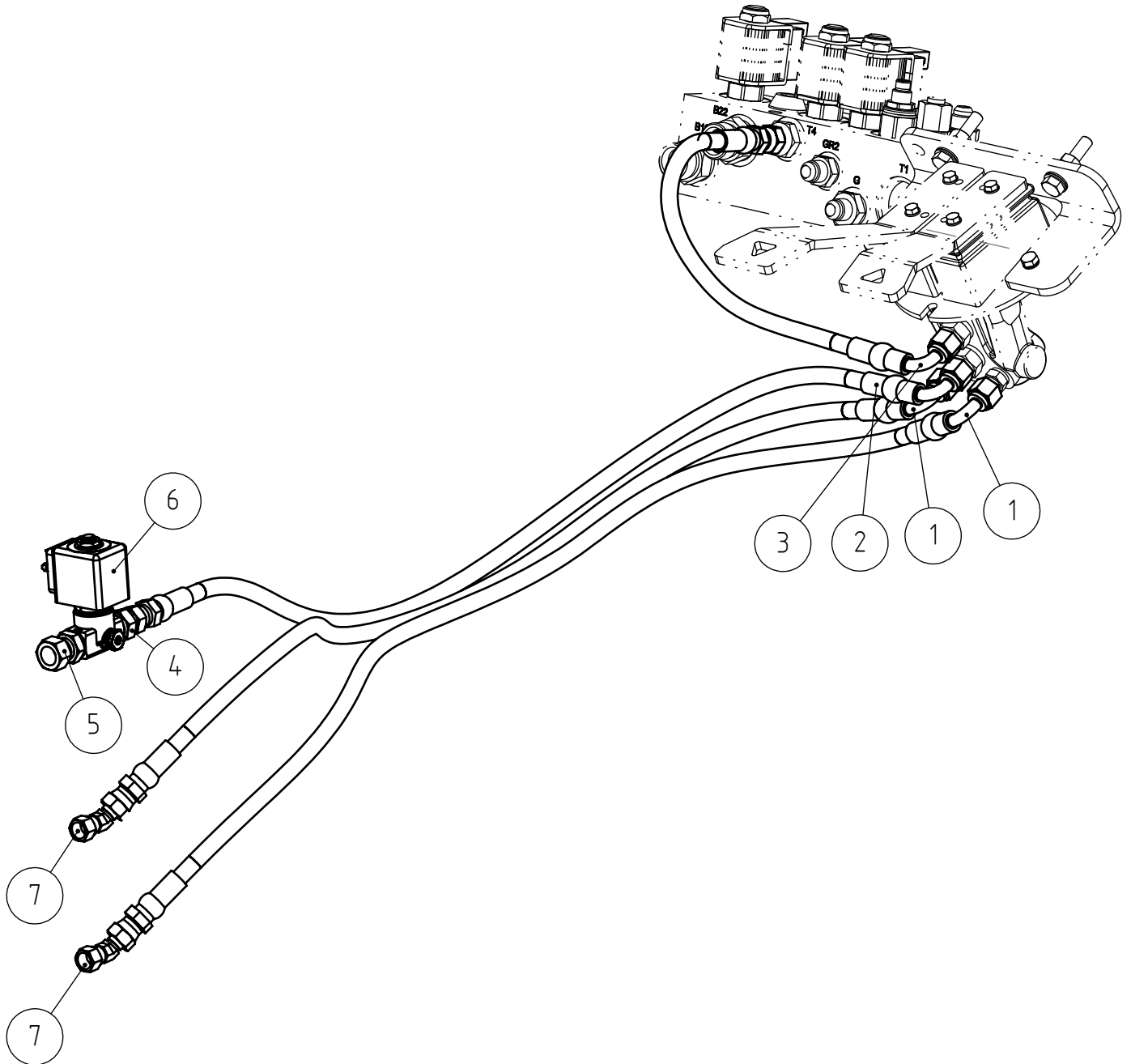


27.3.2024

**A440870 DRIVE PEDAL ASSEMBLY 700 SERIES**

REF	PART NO	QTY	DESCRIPTION	NOTES	PAGE
1	A432973	1	HYDRAULIC PEDALS 2-16BAR MICROSWITCH 5A		-
1.1	A451022	2	PROTECTIVE RUBBER DRIVE PEDALS		-
1.2	A445449	2	MICROSWITCH 5A WITH WIRE		-
2	A47550	1	DRIVE PEDAL, LEFT		-
3	A47551	1	DRIVE PEDAL, RIGHT		-
4	A47247	1	BRACKET, DRIVE PEDAL		-
5	64678	2	BASIC FITTING F40XS6-1/4"		-
6	64793	2	BASIC FITTING F40XS6-1/8"		-
7	72118	2	HEXAGONAL SCREW M6*20 DIN 933		-
8	72317	2	HEXAGONAL NUT M6 DIN 934		-
9	73222	2	HEXAGONAL SCREW M8*40 DIN 933		-
10	74530	2	WASHER NORDLOCK NL6		-
11	63944	2	WASHER, PAIR, NORD-LOCK M8		-
12	72110	4	HEX. SCREW M5*16 DIN 933		-
13	74448	4	WASHER M5 A5,3 DIN 125 ZN		-

# A465923 HYDR. HOSES DRIVE PEDAL

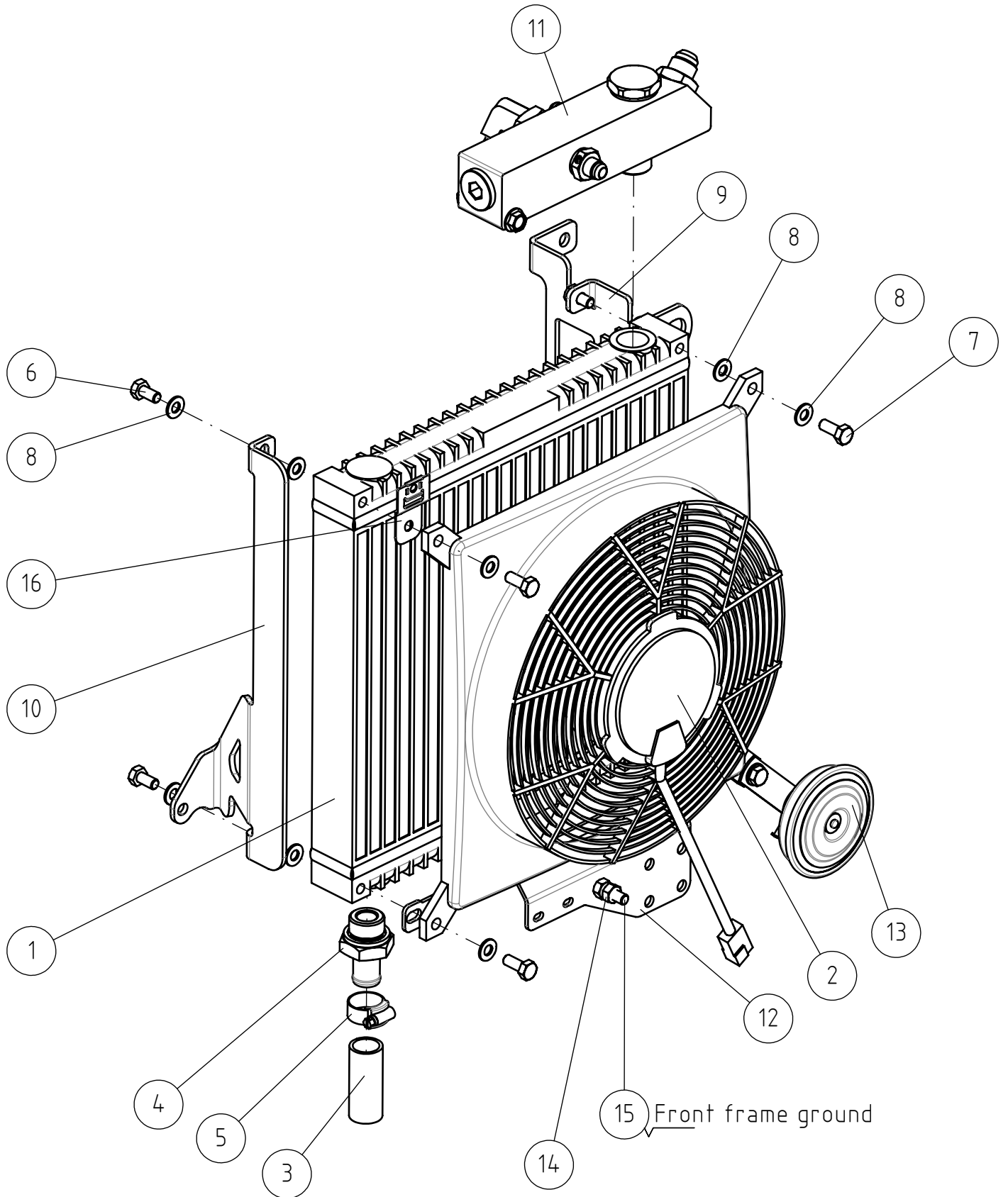


27.3.2024

**A465923 HYDR. HOSES DRIVE PEDAL**

REF	PART NO	QTY	DESCRIPTION	NOTES	PAGE
1	A422164	2	HYDR. HOSE L=1240		-
2	A410274	1	HYDR. HOSE L=1120		-
3	A47643	1	HYDR. HOSE L=430 TYPE 087-3/16" JIC6-		-
4	64678	1	BASIC FITTING F40XS6-1/4"		-
5	64060	1	CONNECTOR NIPPLE F64XS10-1/4		-
6	66475	1	BLOCKING VALVE 12V		-
6.1	A451126	1	SOLENOID 12VDC / 14W		-
7	65587	2	ELBOW FITTING 45° UNF 7/16" JIC		-

# A446008 HYDRAULIC OIL COOLER ASSEMBLY 500-700



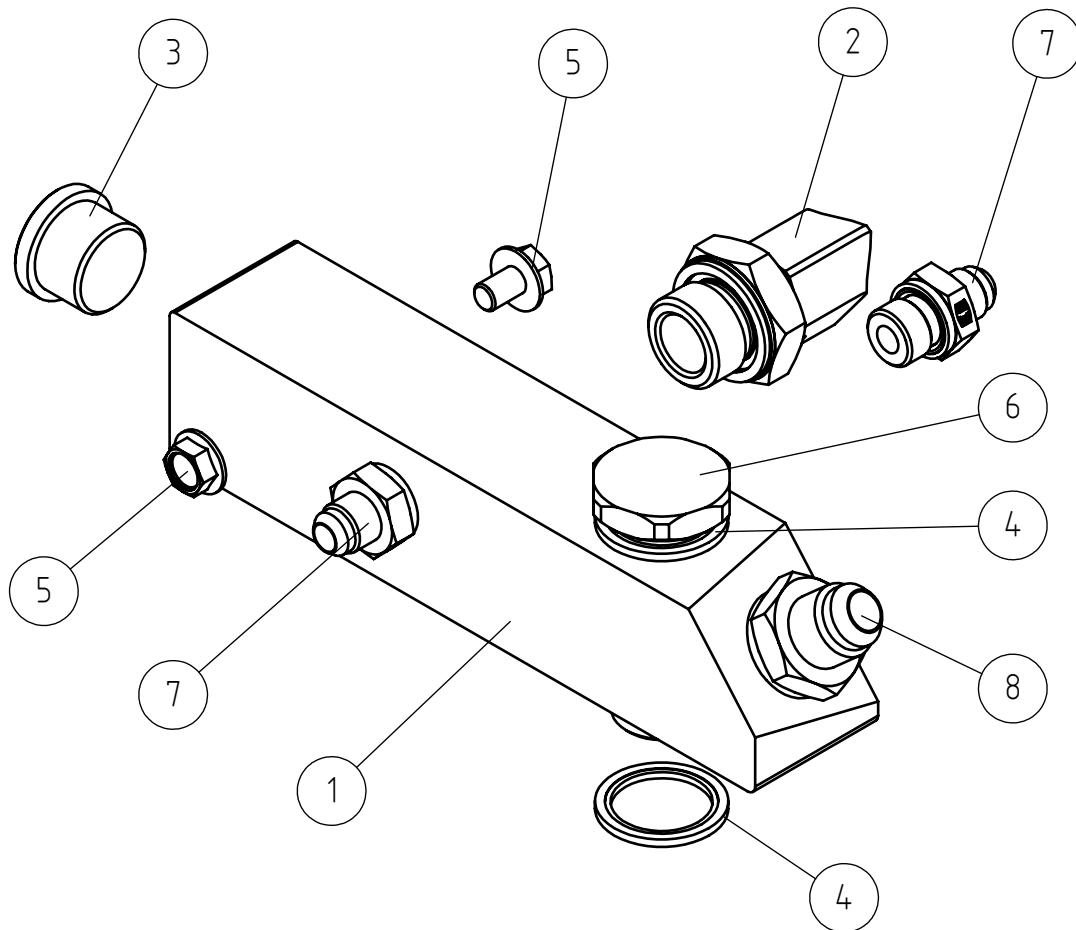
27.3.2024

**A446008 HYDRAULIC OIL COOLER ASSEMBLY 500-700**

REF	PART NO	QTY	DESCRIPTION	NOTES	PAGE
1	64934	1	OIL COOLER CELL ASA 350*350*45		-
2	65568	1	FAN, HYDRAULIC OIL COOLER COMEX F48-		-
3	A49182	1	INLET HOSE D=20 L=550		-
4	66427	1	HOSE BARB R3/4"UK - 20MM		-
5	73530	1	HOSE CLAMP 22-32 MM		-
6	73039	4	HEXAGONAL SCREW M 8*16 DIN 933 ZN		-
7	72130	4	HEXAGONAL SCREW M8*20		-
8	73122	13	WASHER M8 A8,4 DIN 125 ZN		-
9	A446011	1	BRACKET, UPPER, HYDR. OIL COOLER		-
10	A446012	1	BRACKET, LOWER, HYDR. OIL COOLER		-
11	A449648	1	HYDRAULIC MANIFOLD ASSEMBLY		46
12	A449902	1	MOUNTING BRACKET ACCUMULATOR		-
13	64157	1	SIGNAL HORN COMPLETE		-
14	72319	2	HEXAGONAL NUT M8 DIN 934		-
15	72133	1	HEXAGONAL SCREW M8*30 DIN 933		-
16	A451560	1	BRACKET CONNECTOR PLUG		-

27.3.2024

# A449648 HYDRAULIC MANIFOLD ASSEMBLY

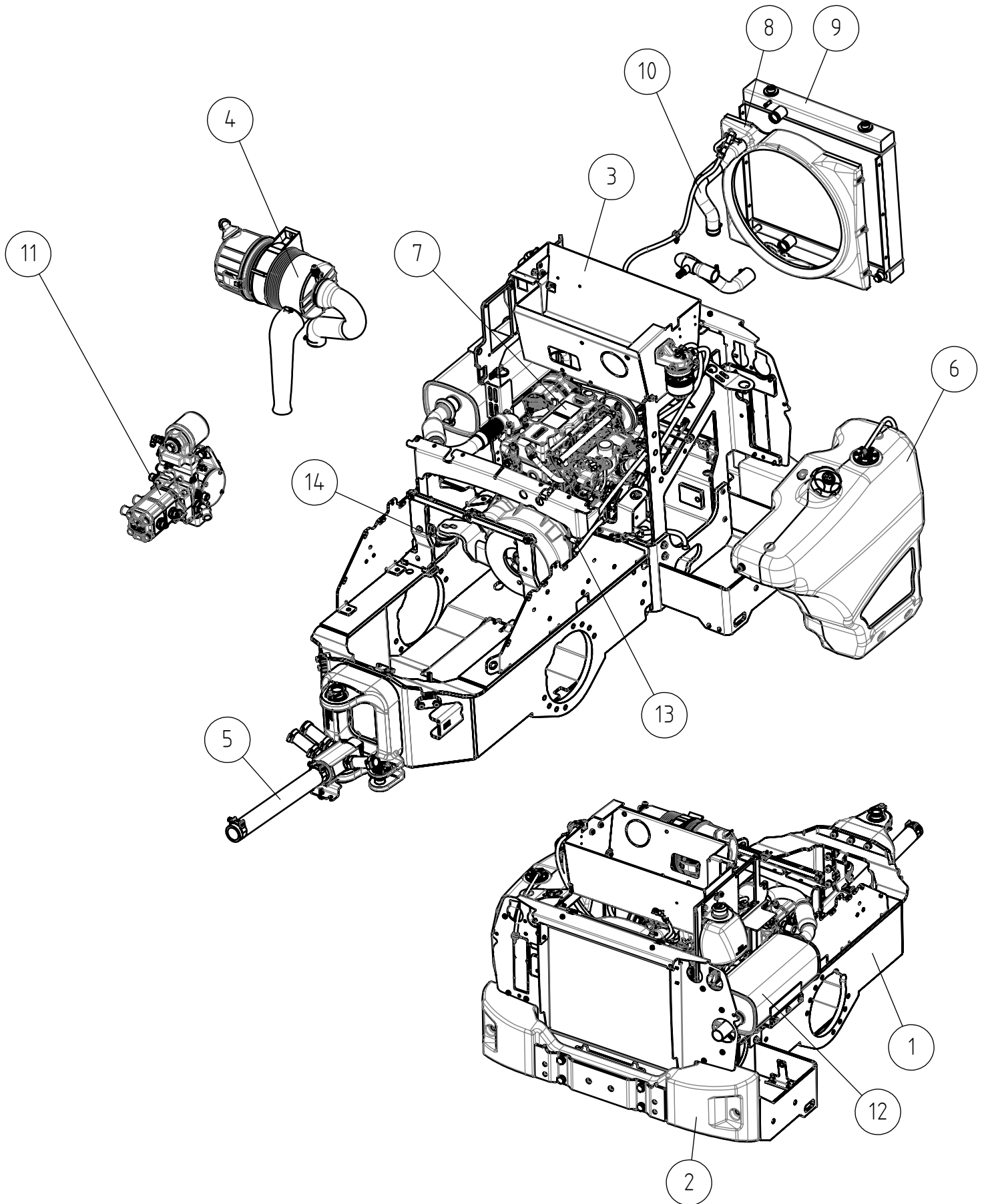


**A449648 HYDRAULIC MANIFOLD ASSEMBLY**

REF	PART NO	QTY	DESCRIPTION	NOTES	PAGE
1	A449626	1	HYDRAULIC MANIFOLD TANK LINE		-
2	66281	1	HOSE BARB 90 DEGR R3/4"UK - 20MM		-
3	73768	1	HEXAGONAL PLUG HF-3/4" WITH SEAL		-
4	74976	2	SEAL USIT R3/4" F35,3*F27,0*2,0		-
5	A429197	2	HEXAGONAL SERRATED SCREW M8*12 W. FLANGE		-
6	A449633	1	BANJO BOLT R3/4" TANK LINE		-
7	64041	2	BASIC FITTING F40XS10-3/8 /8		-
8	65060	1	BASIC FITTING F40XS16-1/2		-

27.3.2024

# A462705 REAR FRAME ASSEMBLY 735I KOHLER KSD





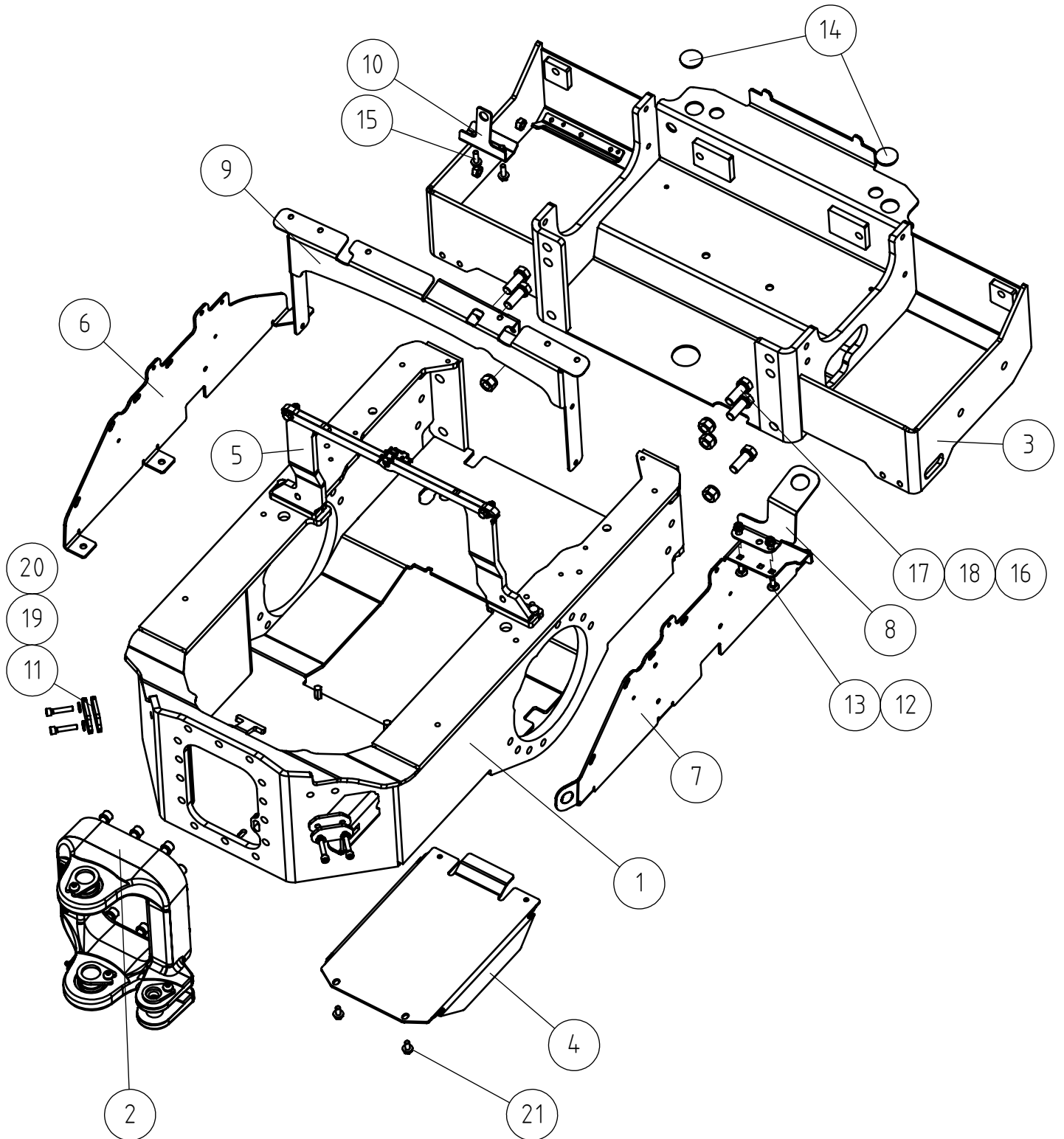
27.3.2024

**A462705 REAR FRAME ASSEMBLY 735I KOHLER KSD**

REF	PART NO	QTY	DESCRIPTION	NOTES	PAGE
1	A441337	1	REAR CHASSIS ASSEMBLY 700 SERIES		50
2	A36913	1	REAR WEIGHT (BUMPER) 168 KG, ASSEMBLY		56
3	A463093	1	ENGINE BAY KOHLER KSD 735I		58
4	A463262	1	AIR FILTER ASSEMBLY 735I KOHLER KSD		62
5	A455668	1	HYDRAULIC MANIFOLD WITH HOSES ASSEMBLY		64
6	A436129	1	FUEL TANK ASSEMBLY 66L		66
7	A463629	1	ENGINE ASSEMBLY KOHLER KSD 1403		-
8	A461143	1	WIND TUNNEL NO. 2 ASSEMBLY		68
9	A460889	1	RADIATOR ASSEMBLY		70
10	A461151	1	RADIATOR HOSES ASSEMBLY 635I 640I		72
11	A458167	1	HYDRAULIC PUMPS ASSEMBLY 635I 640I		74
12	A463318	1	EXHAUST MUFFLER + PIPE ASSEMBLY 735I		78
13	A462833	1	MOUNTING PARTS KOHLER KSD 735I		82
14	64843	2	ENGINE MOUNT NOVIBRA M12 - 2*F8,5		-
15	A463649	1	BRACKET COVER PLATES REAR FRAME		-

27.3.2024

# A441337 REAR CHASSIS ASSEMBLY 700 SERIES



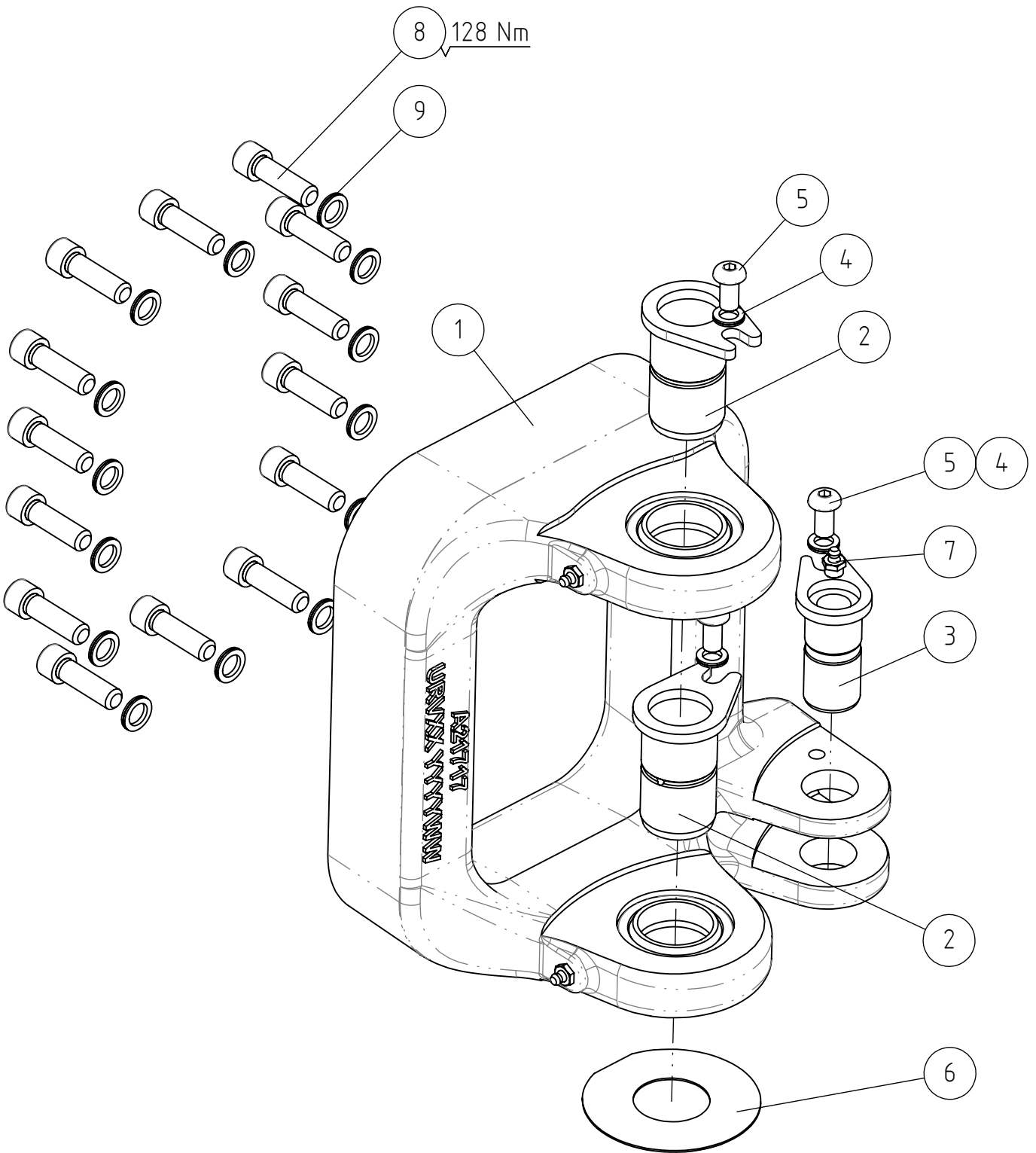
27.3.2024

**A441337 REAR CHASSIS ASSEMBLY 700 SERIES**

REF	PART NO	QTY	DESCRIPTION	NOTES	PAGE
1	A430885	1	BACK FRAME, FRONT PART 700 SERIES		-
2	A37449	1	ARTICULATION JOINT ASSEMBL REAR FRAME		52
3	A446037	1	REAR FRAME, MIDDLE PART 700/800 SERIES		-
4	A446658	1	SERVICE HATCH 400-700 SERIES		-
5	A415984	1	LOAD SENSOR SYSTEM, COMPLETE ASSEMBLY		54
6	A437435	1	SIDE PLATE RIGHT REAR FRAME 800 STAGE 5		-
7	A437437	1	SIDE PLATE LEFT REAR FRAME 800 STAGE 5		-
8	A437442	1	BRACKET FUEL TANK STAGE 5 700-800 SER		-
9	A437460	1	BRACKET COVER PLATES REAR FRAME		-
10	A437653	1	BRACKET, BATTERY 700-800 SER		-
11	A442049	4	STOP PLATE STEERING		-
12	74782	2	HEXAGONAL NUT M8 WITH FLANGE		-
13	74836	2	CARRIAGE BOLT M8*20		-
14	65944	2	RUBBER PLUG F40/F32-12 S=5		-
15	A429202	2	HEXAGONAL SERRATED SCREW M8*25 WITH FLAN		-
16	74533	12	WASHER, PAIR, M16 NL16 NORDLOCK		-
17	A439220	6	HEXAGONAL SCREW M16*45 10.9 DIN 933		-
18	A439252	6	HEXAGONAL NUT M16 10.9 DIN 934		-
19	63944	4	WASHER, PAIR, NORD-LOCK M8		-
20	74918	4	HEXAGONAL HEAD SCREW M8*40 DIN 912		-
21	A429200	2	HEXAGONAL SERRATED SCREW M8*16 WITH		-

27.3.2024

# A37449 ARTICULATION JOINT ASSEMBL REAR FRAME



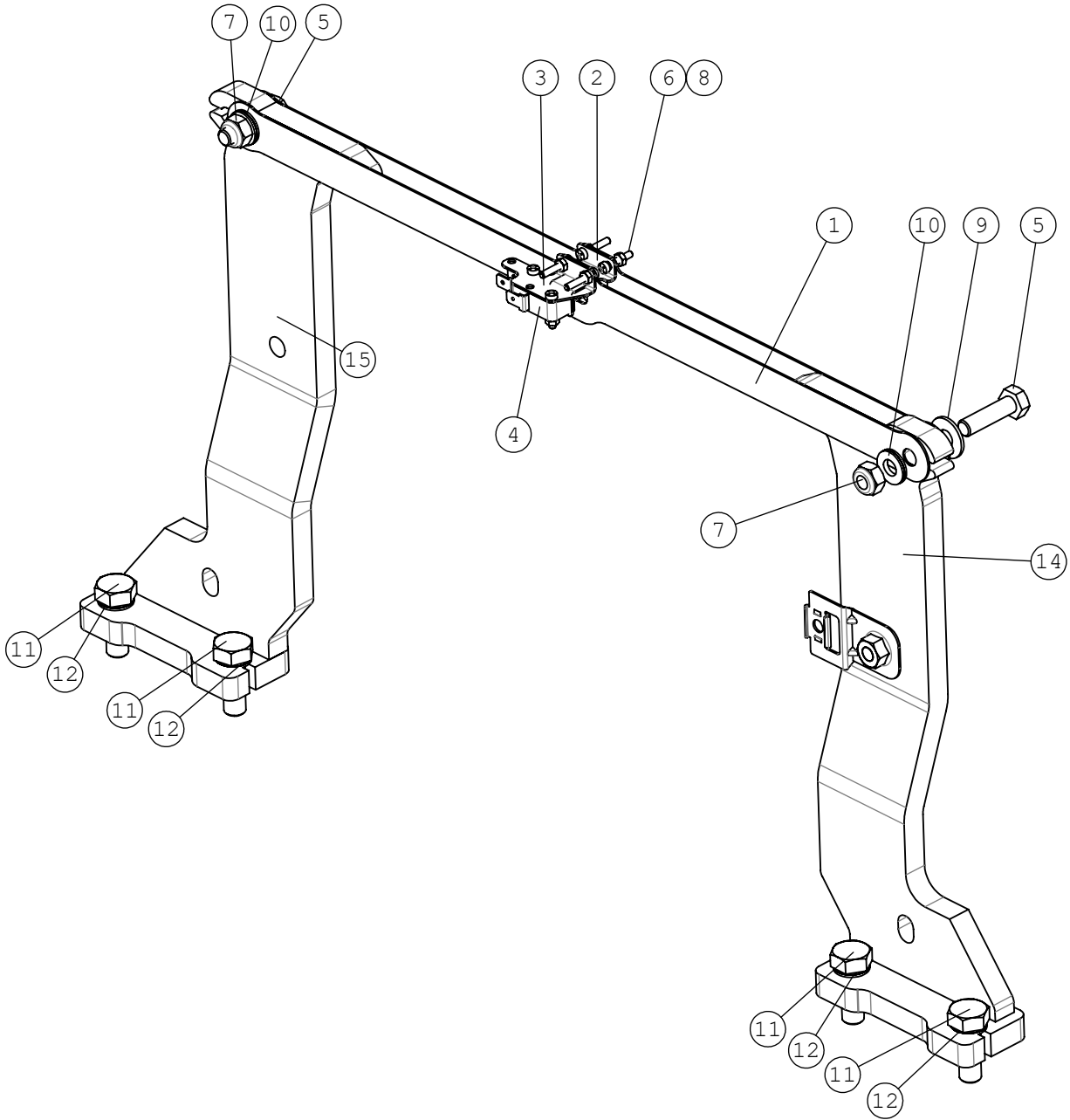
27.3.2024

**A37449 ARTICULATION JOINT ASSEMBL REAR FRAME**

REF	PART NO	QTY	DESCRIPTION	NOTES	PAGE
1	A444363	1	ARTICULATION JOINT CAST STEEL, ASSEMBLY		-
1.1	64911	2	ARTICUL. BEARING GE40ES F62/40-28(22)		-
2	A47043	2	PIVOT PIN F40-63		-
3	A47655	1	PIVOT PIN F30-60		-
4	74531	3	SPACER NORDLOCK M10, PAIR		-
5	A437915	3	HEXAGONAL HEAD SCREW M10*20 10.9 2		-
6	A48263	1	SHIM RING S=1 MM, ARTICULATION JOINT		-
7	72798	1	GREASE NIPPLE R 1/8" STRAIGHT		-
8	A437018	14	HEXAGONAL HEAD SCREW M12*40 12.9		-
9	74532	14	WASHER NORDLOCK NL12		-

27.3.2024

# A415984 LOAD SENSOR SYSTEM, COMPLETE ASSEMBLY



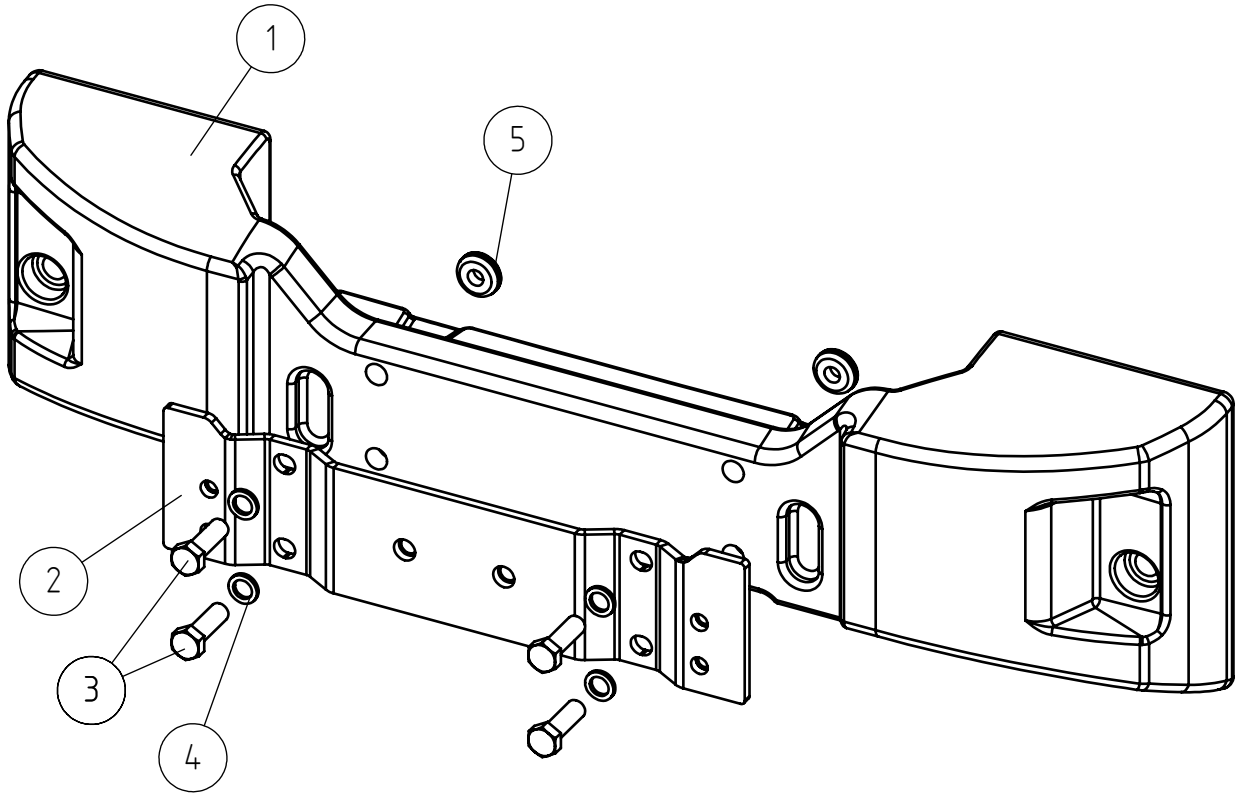
27.3.2024

**A415984 LOAD SENSOR SYSTEM, COMPLETE ASSEMBLY**

REF	PART NO	QTY	DESCRIPTION	NOTES	PAGE
1	A47912	2	BAND		-
2	A47908	1	CLAW		-
3	A47909	1	BRACKET, MICROSWITCH		-
4	64504	1	MICROSWITCH		-
5	72133	2	HEXAGONAL SCREW M8*30 DIN 933		-
6	74576	6	PAN HEAD MACHINE SCREW M3*16		-
7	72320	2	HEXAGONAL NUT M8 NYLOC DIN 985		-
8	74535	6	HEXAGONAL NUT M3		-
9	74525	2	WASHER M8 8,4*20*1,25 ZN		-
10	63944	2	WASHER, PAIR, NORD-LOCK M8		-
11	72151	4	HEXAGONAL SCREW M10*30 DIN 933 ZN		-
12	74531	4	SPACER NORDLOCK M10, PAIR		-
13	A417623	2	MOUNTING PLATE LOAD SENSOR SYSTEM		-
14	A417622	1	BRACKET, LEFT, LOAD SENSOR SYSTEM		-
15	A417621	1	BRACKET, RIGHT, LOAD SENSOR SYSTEM		-
16	A451560	1	BRACKET CONNECTOR PLUG		-
17	A450046	1	HEXAGONAL NUT M8 WITH FLANGE		-
18	A429201	1	HEXAGONAL SERRATED SCREW M8*20 WITH		-

27.3.2024

**A36913 REAR WEIGHT (BUMPER) 168 KG, ASSEMBLY**





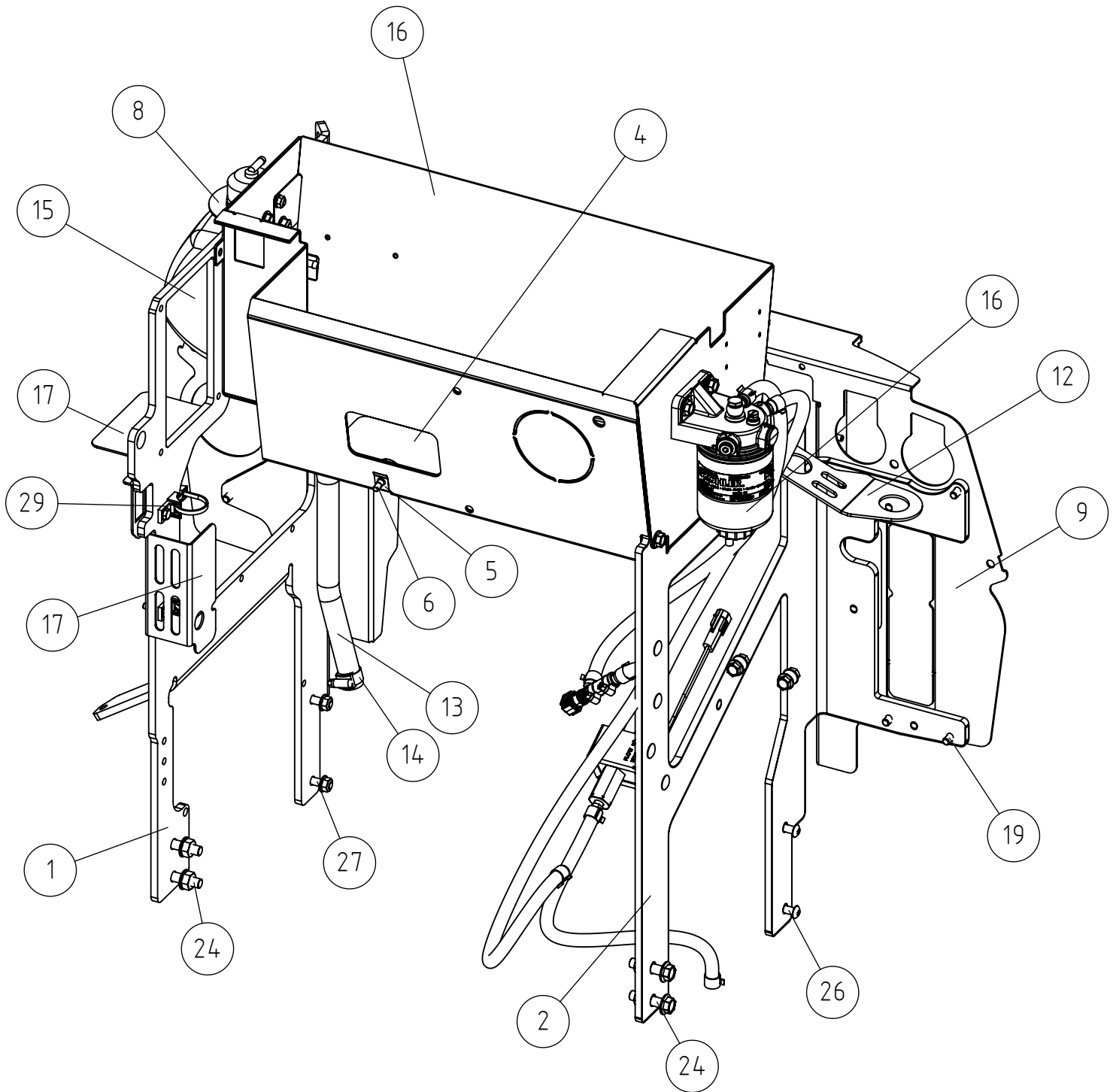
27.3.2024

**A36913 REAR WEIGHT (BUMPER) 168 KG, ASSEMBLY**

REF	PART NO	QTY	DESCRIPTION	NOTES	PAGE
1	A455991	1	REAR WEIGHT (BUMPER) 168KG WITH		-
2	A419683	1	MOUNTING PLATE, BACK WEIGHT 29 KG		-
3	72193	4	HEXAGONAL SCREW M16* 50 DIN 933		-
4	74533	4	WASHER, PAIR, M16 NL16 NORDLOCK		-
5	A423105	2	PRESS NUT M16 37 MM		-

27.3.2024

# A463093 ENGINE BAY KOHLER KSD 735I



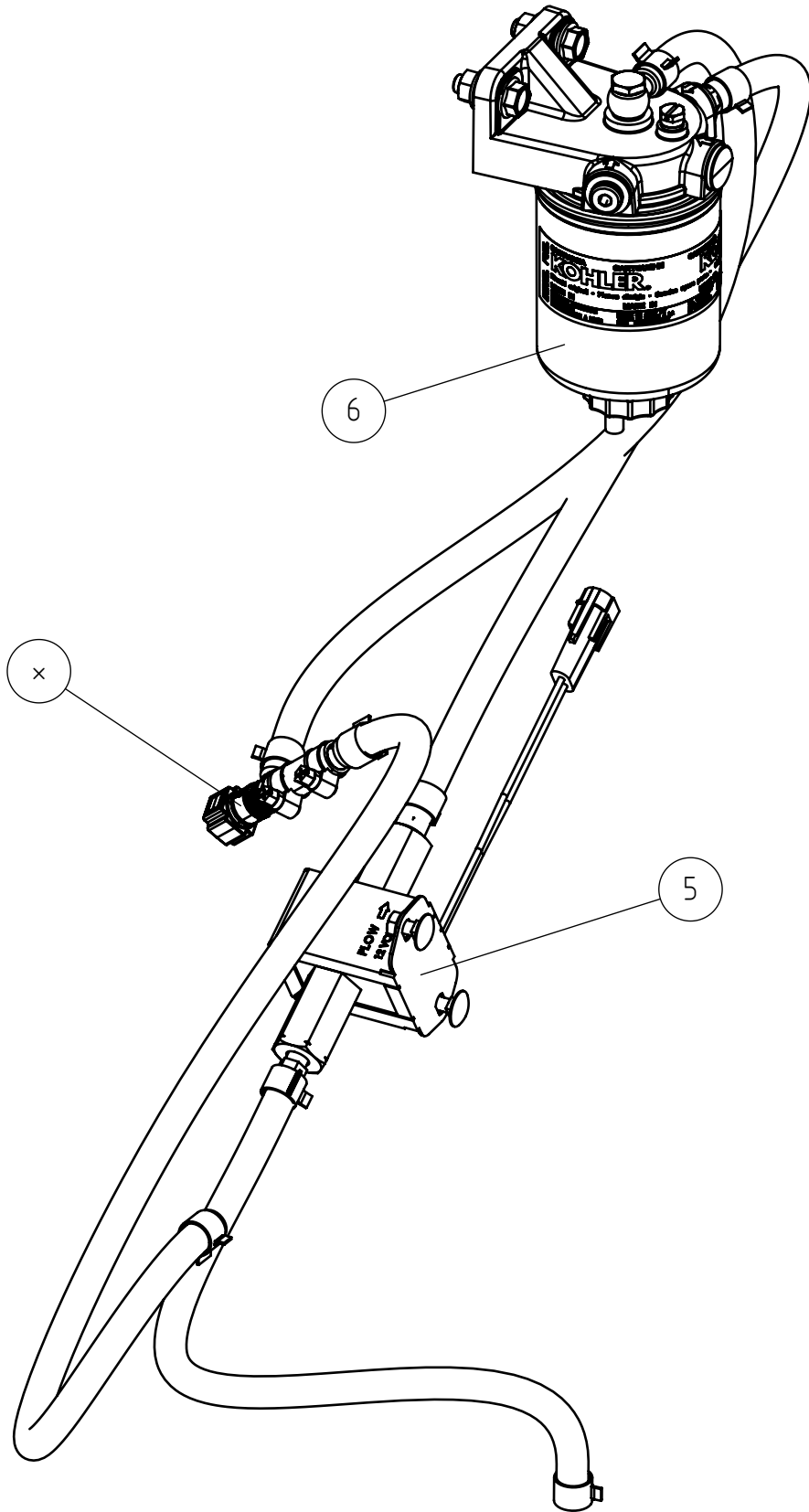
27.3.2024

**A463093 ENGINE BAY KOHLER KSD 735I**

REF	PART NO	QTY	DESCRIPTION	NOTES	PAGE
1	A447813	1	MOUNTING BRACKET, RIGHT		-
2	A450958	1	MOUNTING BRACKET LEFT 8MM 700-800 SER		-
3	A456559	1	EQUIPMENT COMPARTMENT		-
4	A419234	1	HATCH		-
5	74807	1	SPEED NUT M6, FOR 0.5-4.0 MM PLATE		-
6	64941	1	FINGER SCREW M6*20 R3015RM620S		-
7	A417250	1	BRACKET		-
8	A417251	1	BRACKET, UPPER		-
9	A447575	1	COUNTER PLATE REAR GRILLE 700/800 SERIES		-
10	A413429	2	SPACER		-
11	A446715	1	BRACKET UPPER RADIATOR 700/800 SERIES		-
12	A437344	1	MOUNTING BRACKET FUEL TANK		-
13	A450939	1	WATER HOSE OVERFLOW TANK 700/800		-
14	64337	2	HOSE CLAMP 19-28 MM ABA		-
15	A417223	1	OVERFLOW TANK WITH CAP 745-760I		-
15.1	66448	1	CAP EXPANSION TANK		-
16	A463344	1	FUEL FILTERS ASSEMBLY 735I		60
17	A456760	1	HEAT SHIELD WIRE HARNESS / EXHAUST		-
18	74781	5	HEXAGONAL NUT M6 WITH FLANGE		-
19	A435496	10	THREAD-FORMING SCREW M8*20 DIN 7500C		-
20	A431349	3	HEXAGONAL SERRATED SCREW M6*20 W. FLANG		-
21	75129	6	THREAD-FORMING SCREW M6*16 DIN 7500C		-
22	A429201	5	HEXAGONAL SERRATED SCREW M8*20 WITH		-
23	74782	10	HEXAGONAL NUT M8 WITH FLANGE		-
24	A432192	4	HEXAGONAL SERRATED SCREW M10*40 W. FLANG		-
25	74783	4	HEXAGONAL NUT M10 WITH FLANGE		-
26	A439829	2	HEXAGONAL HEAD SCREW M8*30 10.9 2		-
27	A429203	2	HEXAGONAL SERRATED SCREW M8*30 WITH		-
28	74481	1	HEXAGONAL HEAD SCREW M8*20 DIN 912 ZN		-
29	A442639	2	CABLE TIE 7,6*390 M6 BLACK		-
30	72119	2	HEXAGONAL SCREW M6*25 DIN 933 ZN		-
31	74913	2	CARRIAGE BOLT M6*20 DIN603		-
32	72318	2	HEXAGONAL NUT M 6 DIN 985 NYLOC		-
33	71680	2	WASHER M6 DIN 125		-

27.3.2024

# A463344 FUEL FILTERS ASSEMBLY 735I



27.3.2024

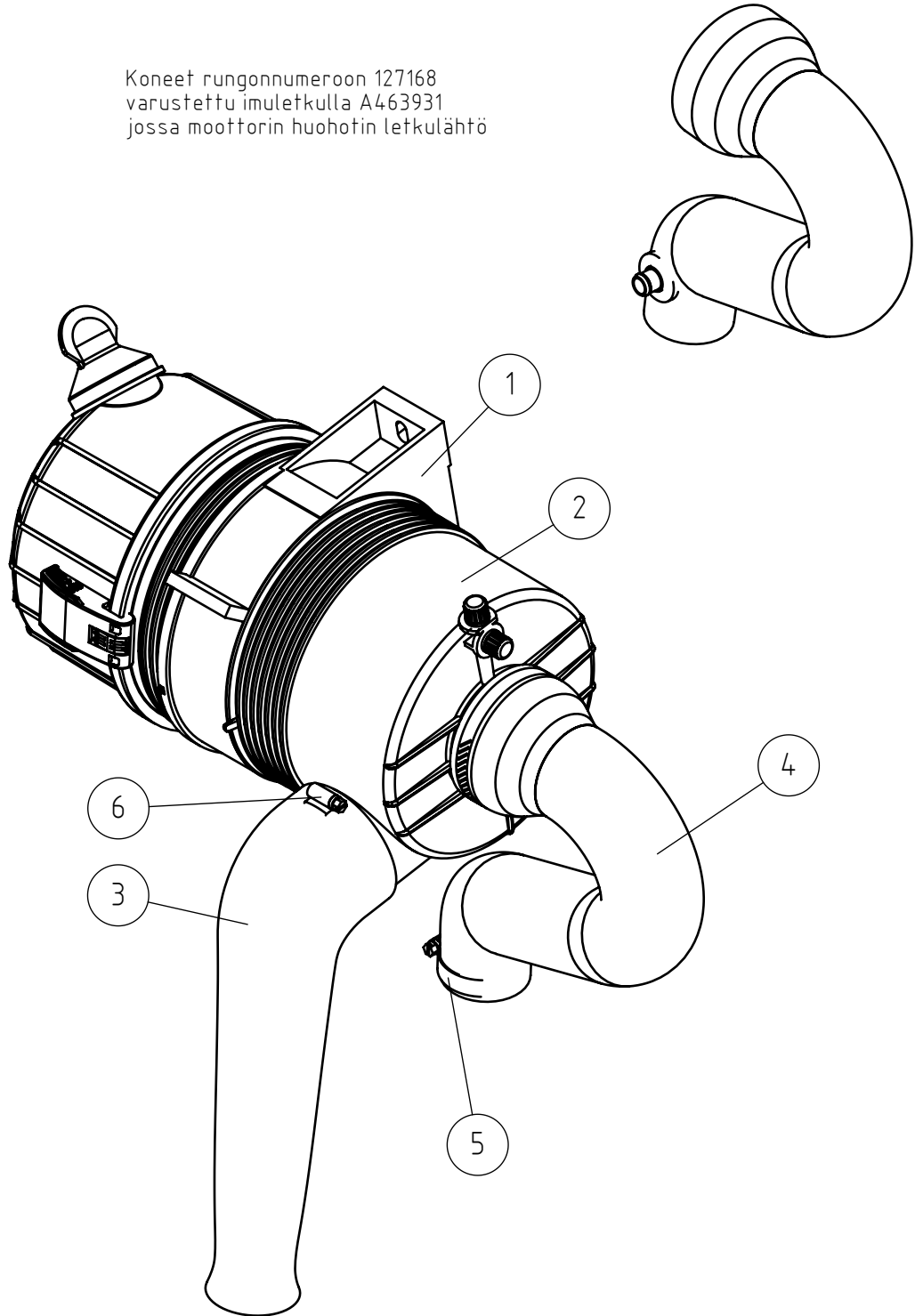
**A463344 FUEL FILTERS ASSEMBLY 735I**

REF	PART NO	QTY	DESCRIPTION	NOTES	PAGE
1	A452923	2	HEXAGONAL NUT M6 DIN 6923		-
2	A429202	2	HEXAGONAL SERRATED SCREW M8*25 WITH FLAN		-
3	A450046	2	HEXAGONAL NUT M8 WITH FLANGE		-
4	A453015	8	SPRING BAND HOSE CLAMP D13,5 DIN 3021		-
5	A451923	1	FUEL PUMP 12V KOHLER KSD1403		-
6	A451939	1	FUEL FILTER		-
7	A461226	1	BANJO BOLT D10MM		-
8	A463353	1			-
9	A463369	2			-
10	A463380	1			-
11	A445507	2	CARRIAGE BOLT M6*16 DIN 603		-

27.3.2024

# A463262 AIR FILTER ASSEMBLY 735I KOHLER KSD

Koneet rungonnumeroon 127168  
varustettu imuletkulla A463931  
jossa moottorin huohotin letkulähtö



27.3.2024

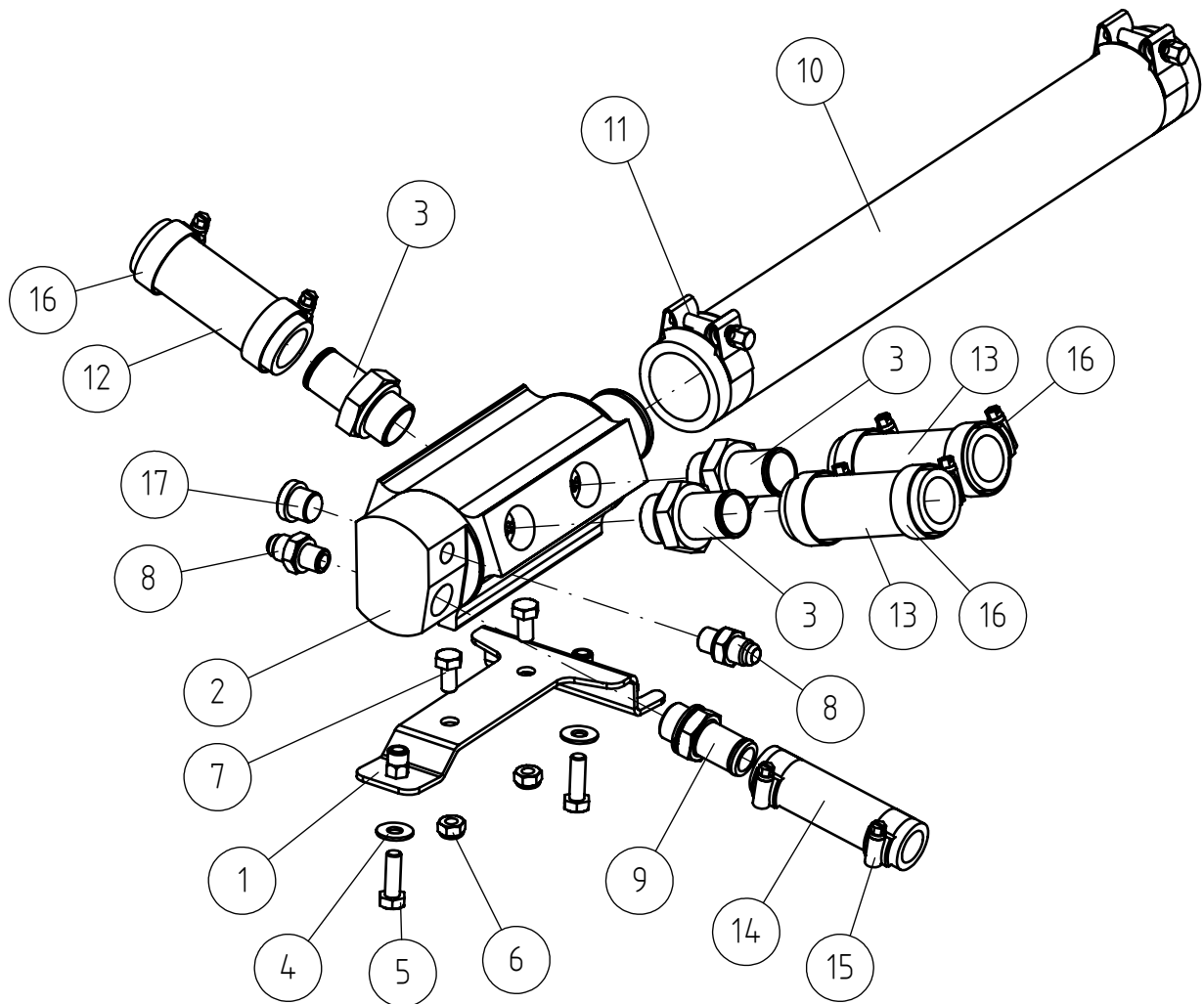
**A463262 AIR FILTER ASSEMBLY 735I KOHLER KSD**

REF	PART NO	QTY	DESCRIPTION	NOTES	PAGE
1	65946	1	CLAMP, AIR FILTER 65941		-
2	65941	1	AIR FILTER COMPLETE		-
2.1	66060	1	AIR FILTER CARTRIDGE 6351-6501 7551 7601		-
2.2	66061	1	AIR FILTER, INNER SCREEN ELEMENT		-
3	A419185	1	SUCTION RESTRICTOR HOSE		-
4	A463261	1	SUCTION HOSE 43MM / 77MM		-
5	64338	1	HOSE CLAMP ABA 44-56 MM		-
6	64339	1	HOSE CLAMP ABA 68-85 MM		-

27.3.2024

# A455668 HYDRAULIC MANIFOLD WITH HOSES ASSEMBLY

Starting from production week 33/2023  
Earlier assembly  
735: A436989  
755/760: A37242





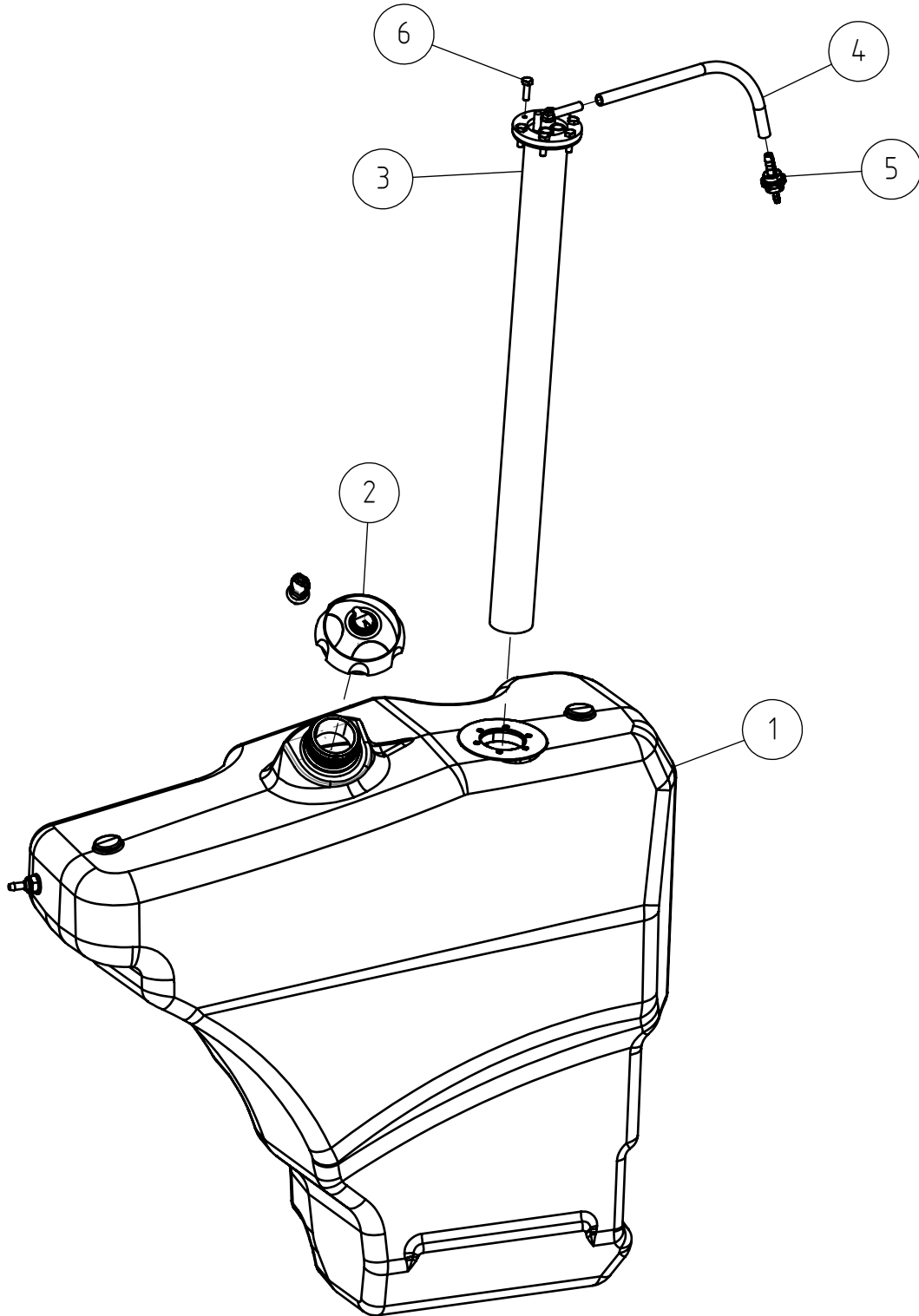
27.3.2024

**A455668 HYDRAULIC MANIFOLD WITH HOSES ASSEMBLY**

REF	PART NO	QTY	DESCRIPTION	NOTES	PAGE
1	A429660	1	MOUNTING BRACKET HYDRAULIC MANIFOLD		-
2	A450772	1	HYDRAULIC MANIFOLD ASSEMBLY		-
3	66107	3	HOSE BARB R3/4"UK - 25 MM L=58		-
4	74525	2	WASHER M8 8,4*20*1,25 ZN		-
5	72132	2	HEXAGONAL SCREW M 8*25 DIN 933 ZN		-
6	72320	2	HEXAGONAL NUT M8 NYLOC DIN 985		-
7	73039	2	HEXAGONAL SCREW M 8*16 DIN 933 ZN		-
8	64059	2	BASIC FITTING F40XS10-1/4		-
9	66428	1	HOSE BARB R1/2"UK - 20MM		-
10	A410028	1	INLET HOSE F53/F40-440		-
11	66013	2	PIPE CLAMP POWER-FLEX S-048-		-
12	A436985	1	INLET HOSE D25 L=590		-
13	A427074	2	INLET HOSE L=540 D25		-
14	A427305	1	INLET HOSE L=640 D19		-
15	73530	2	HOSE CLAMP 22-32 MM		-
16	73809	6	HOSE CLAMP 32-44 MM		-
17	74411	1	HEXAGONAL PLUG HF 3/8" HTUNG		-

27.3.2024

# A436129 FUEL TANK ASSEMBLY 66L



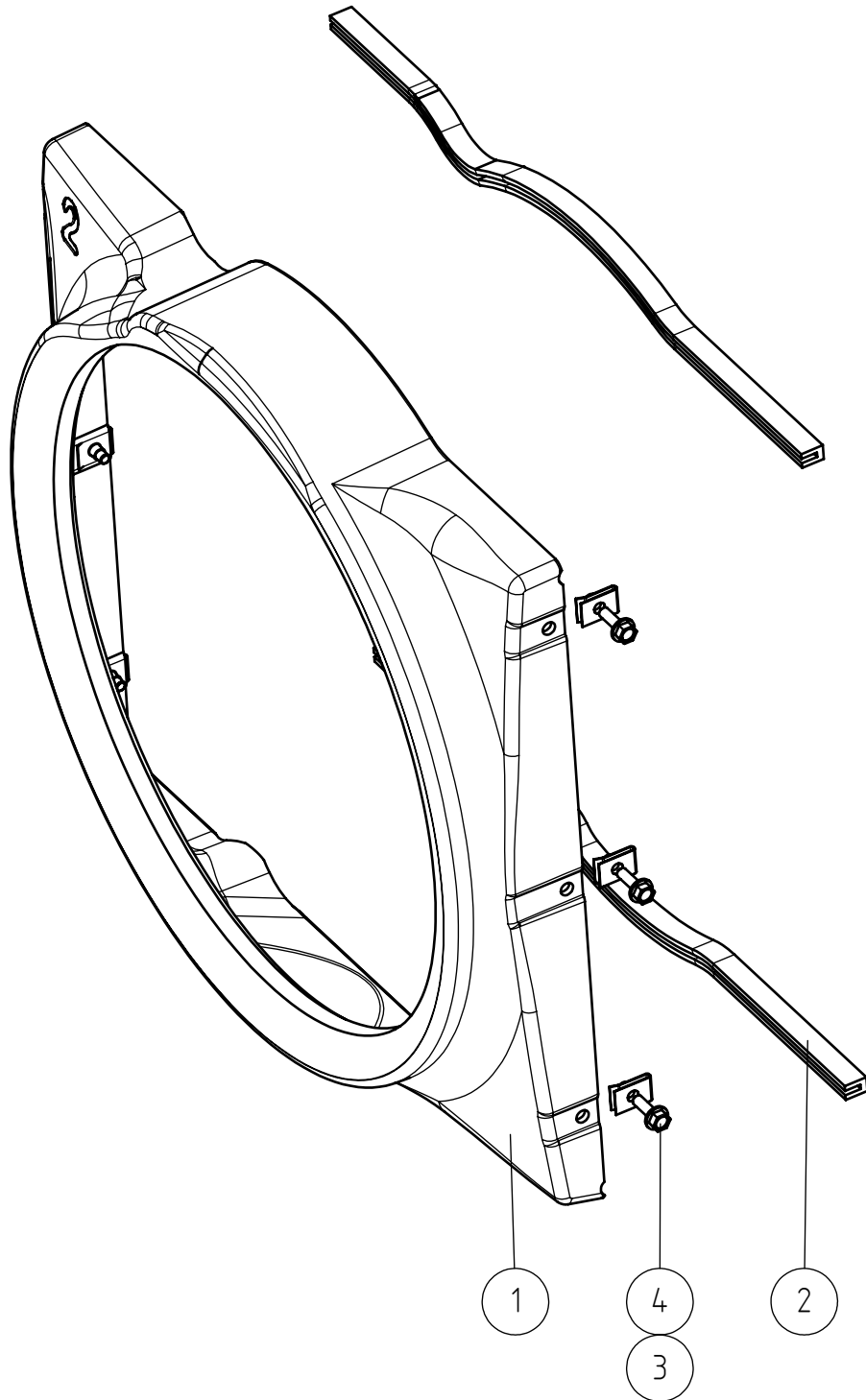
27.3.2024

**A436129 FUEL TANK ASSEMBLY 66L**

REF	PART NO	QTY	DESCRIPTION	NOTES	PAGE
1	A436127	1	FUEL TANK 66 LITRES		-
2	A410521	1	FUEL TANK CAP, LOCKABLE		-
3	A436296	1	SENSOR FUEL GAUGE		-
4	A422532	1	FUEL HOSE L=350		-
5	A422526	1	CHECK VALVE FUEL TANK		-
6	72118	6	HEXAGONAL SCREW M6*20 DIN 933		-

27.3.2024

# A461143 WIND TUNNEL NO. 2 ASSEMBLY



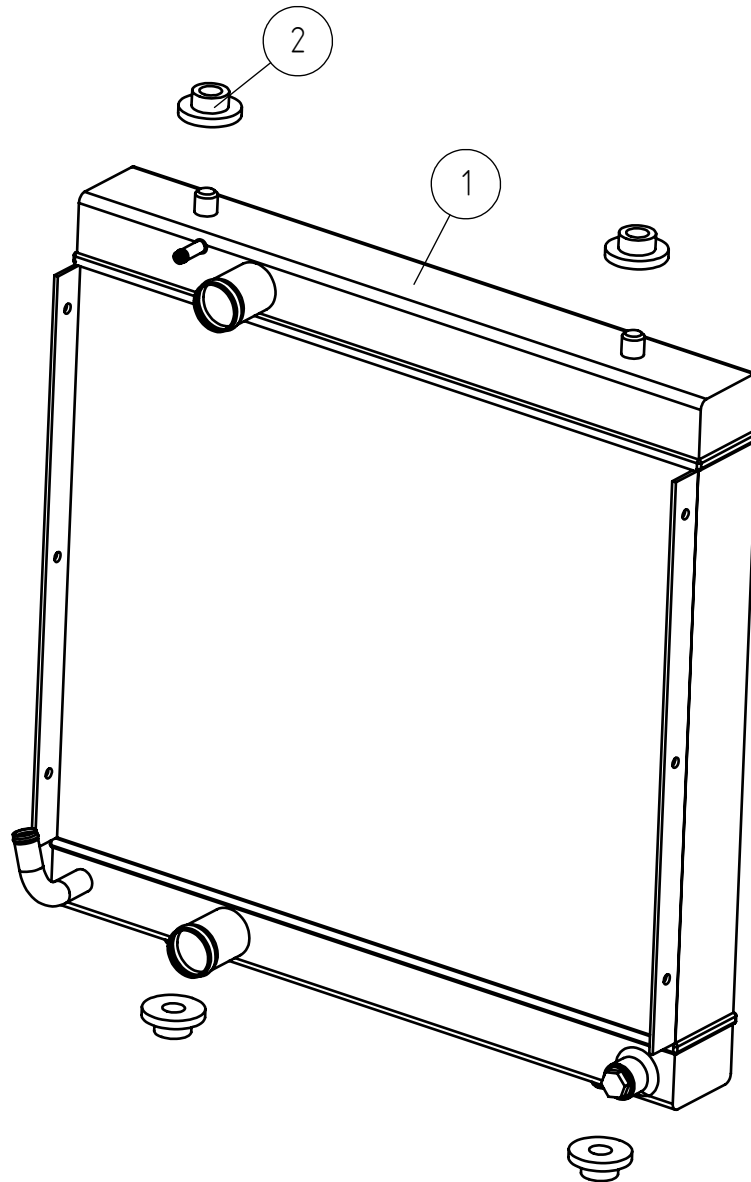
27.3.2024

**A461143 WIND TUNNEL NO. 2 ASSEMBLY**

REF	PART NO	QTY	DESCRIPTION	NOTES	PAGE
1	A443060	1	WIND TUNNEL 635 640 735 745 750		-
2	A438764	1	EDGE STRIP WIND TUNNEL KOHLER KDI		-
3	74807	6	SPEED NUT M6, FOR 0.5-4.0 MM PLATE		-
4	A431349	6	HEXAGONAL SERRATED SCREW M6*20 W. FLANG		-

27.3.2024

# A460889 RADIATOR ASSEMBLY

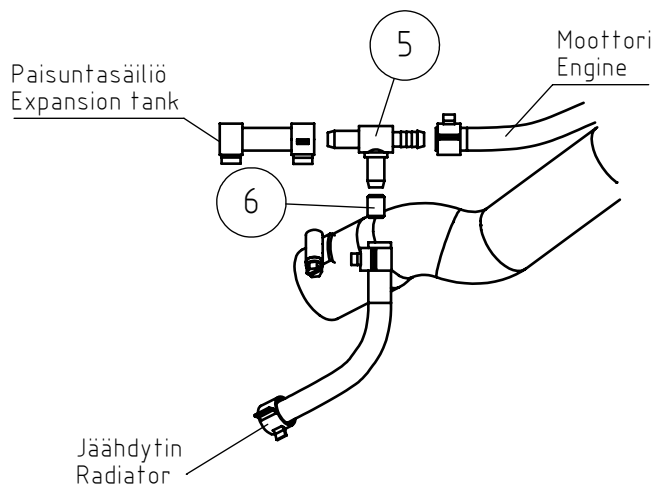
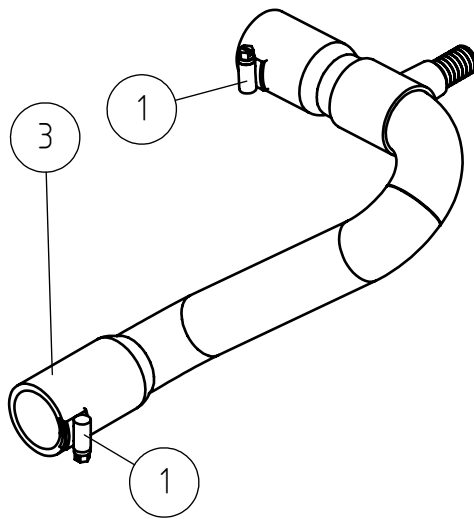
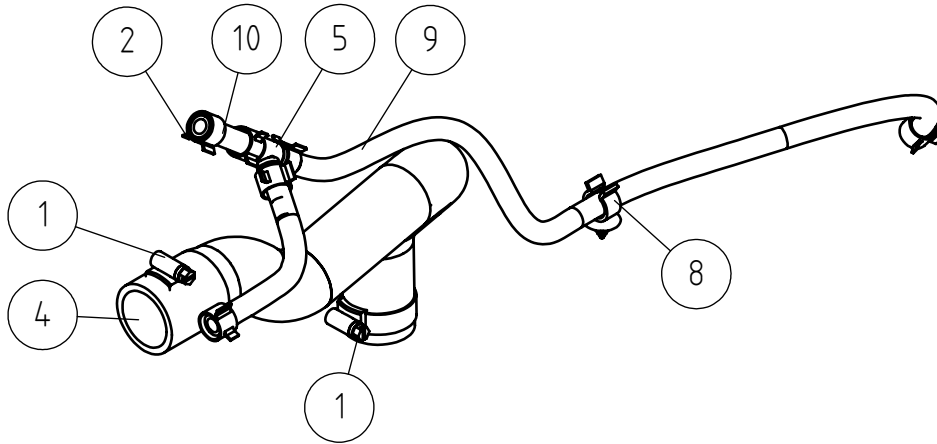


27.3.2024

**A460889 RADIATOR ASSEMBLY**

REF	PART NO	QTY	DESCRIPTION	NOTES	PAGE
1	A443473	1	RADIATOR KUBOTA/KOHLER		-
2	A420381	4	VIBRATION DAMPER RUBBER RADIATOR		-

# A461151 RADIATOR HOSES ASSEMBLY 635I 640I



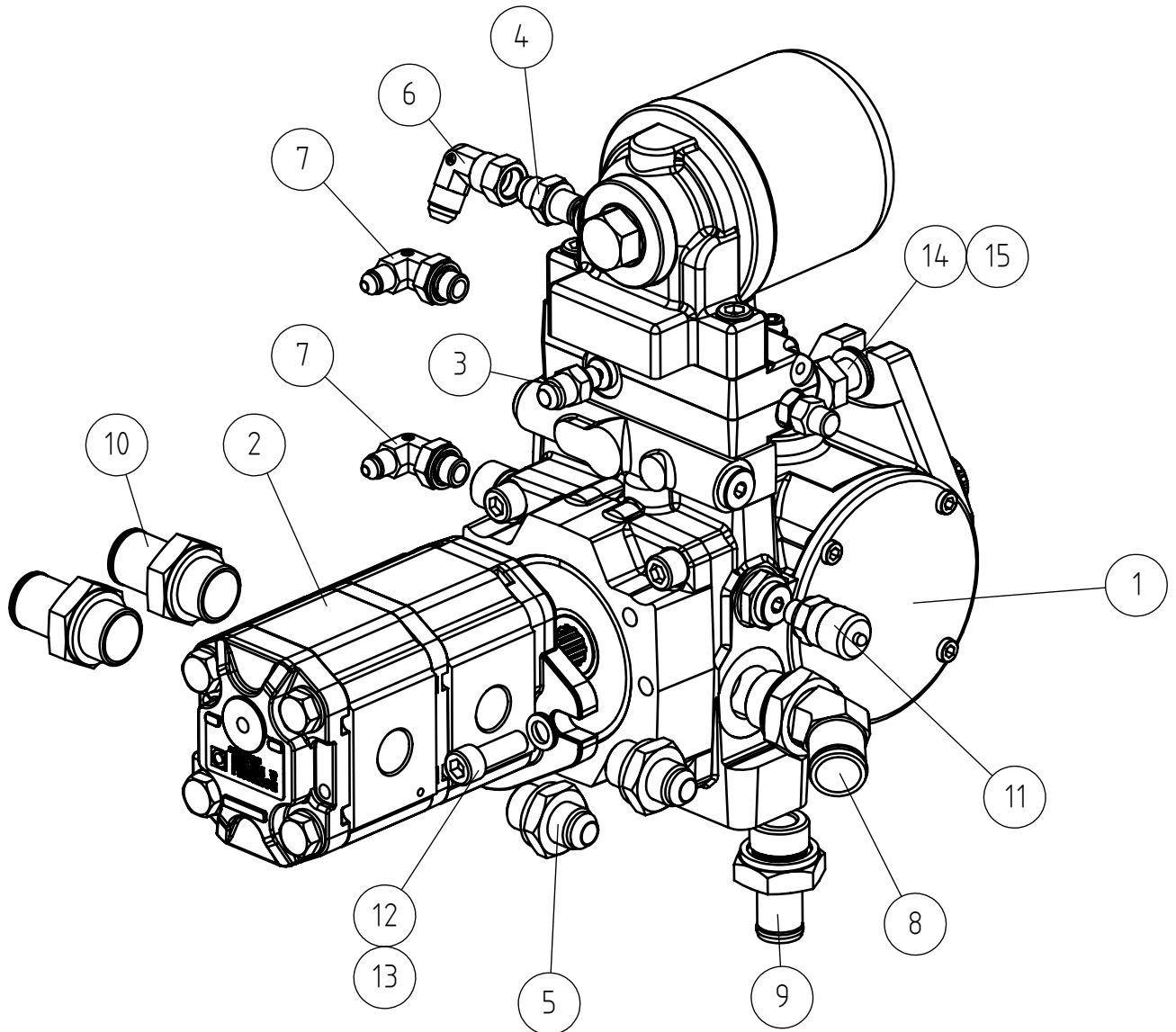


27.3.2024

**A461151 RADIATOR HOSES ASSEMBLY 635I 640I**

REF	PART NO	QTY	DESCRIPTION	NOTES	PAGE
1	73809	4	HOSE CLAMP 32-44 MM		-
2	A453015	6	SPRING BAND HOSE CLAMP D13,5 DIN 3021		-
3	A460227	1	RADIATOR HOSE LOWER KOHLER KSD		-
4	A452777	1	RADIATOR HOSE UPPER KOHLER KSD		-
5	A419103	1	T NIPPLE		-
6	A417903	1	FLOW RESTRICTOR		-
7	A417900	1	WATER HOSE L=130		-
8	A428260	1	PIPE CLIP D13-D14		-
9	A461173	1	WATER HOSE L=575		-
10	A461202	1	WATER HOSE L=50		-

# A458167 HYDRAULIC PUMPS ASSEMBLY 635I 640I



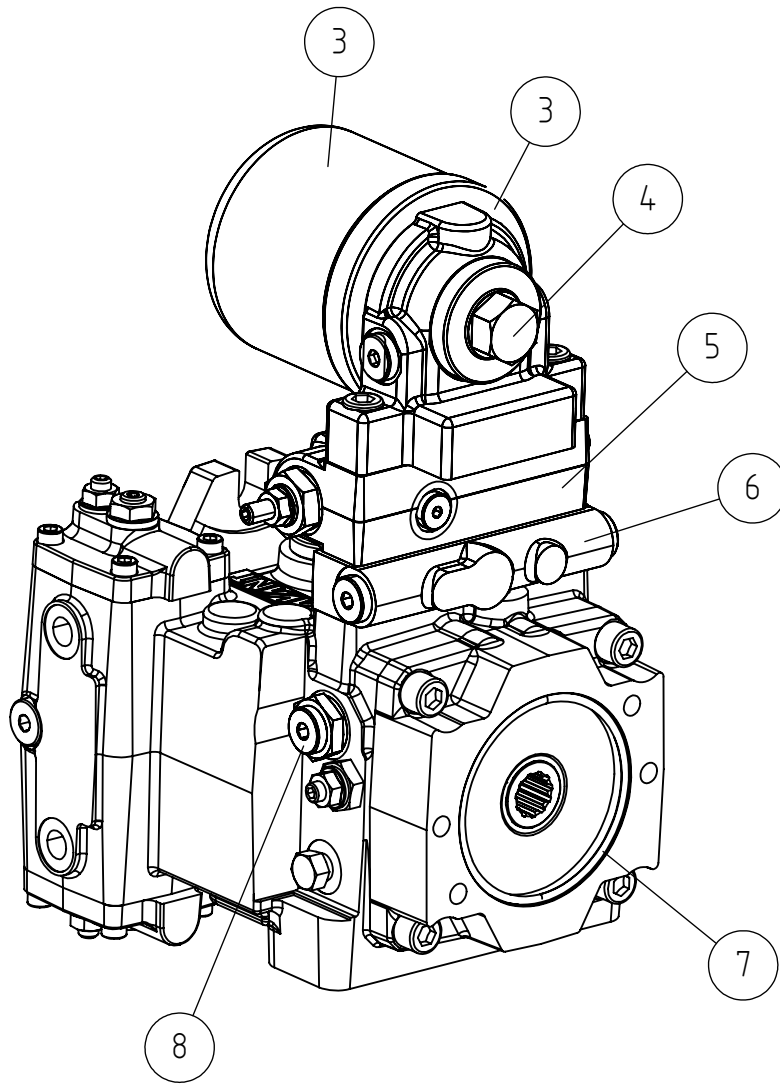
27.3.2024

**A458167 HYDRAULIC PUMPS ASSEMBLY 635I 640I**

REF	PART NO	QTY	DESCRIPTION	NOTES	PAGE
1	A449801	1	VARIABLE DISPL. PUMP 26CC+9CC 370 BAR		76
2	64916	1	HYDRAULIC PUMP B&P 11+11CM3		-
3	64346	1	BASIC FITTING F40XS10-1/8"		-
4	64059	1	BASIC FITTING F40XS10-1/4		-
5	64058	2	BASIC FITTING F40XS12-1/2		-
6	64043	1	ELBOW FITTING 90° C6XS10		-
7	64687	2	ELBOW FITTING 90° C40XS6-1/4"		-
8	66362	1	HOSE BARB 45° R3/4"UK - 25MM		-
9	66427	1	HOSE BARB R3/4"UK - 20MM		-
10	66107	2	HOSE BARB R3/4"UK - 25 MM L=58		-
11	65559	2	MANOMETER FITTING M16*2		-
12	74467	2	HEXAGONAL HEAD SCREW M10* 30 DIN 912		-
13	74531	2	SPACER NORDLOCK M10, PAIR		-
14	74511	2	HEXAGONAL SCREW M14* 30 DIN 933		-
15	74690	2	WASHER NORDLOCK M14 NL14		-

27.3.2024

**A449801 VARIABLE DISPL. PUMP 26CC+9CC 370 BAR**



27.3.2024

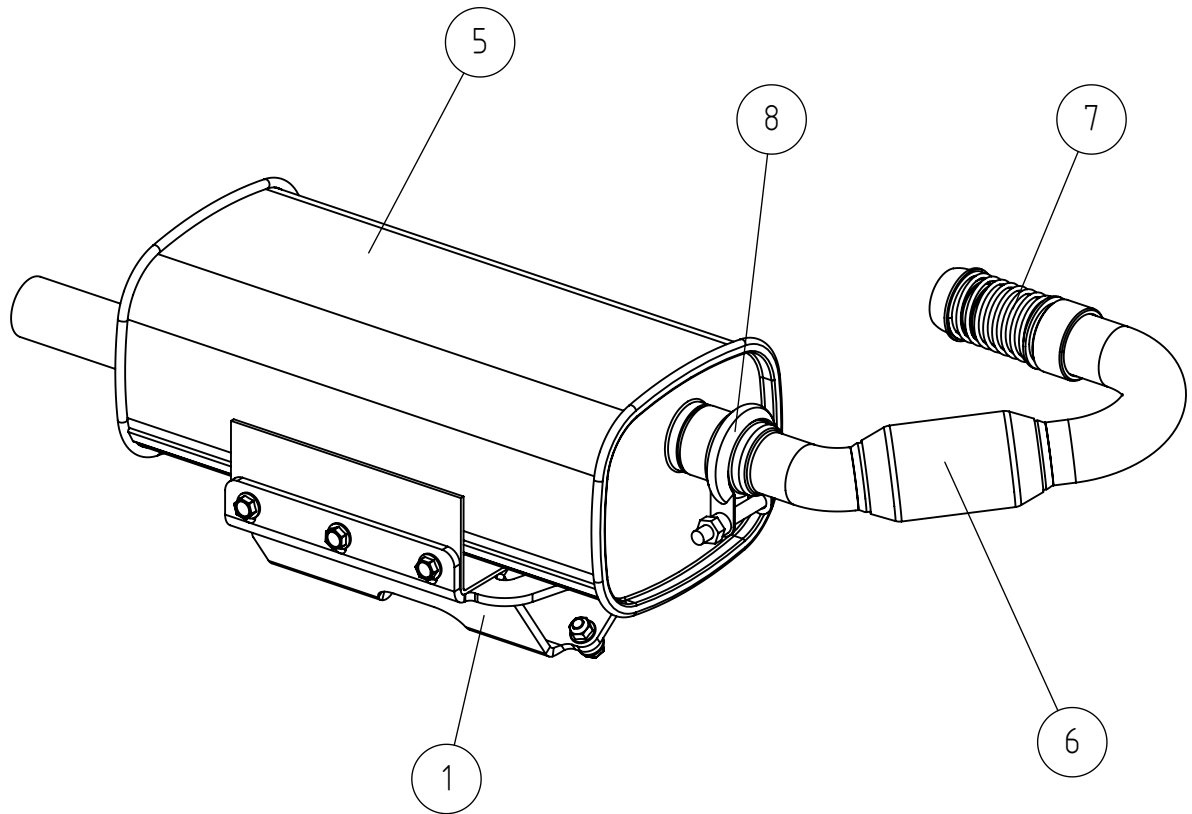
**A449801 VARIABLE DISPL. PUMP 26CC+9CC 370 BAR**

REF	PART NO	QTY	DESCRIPTION	NOTES	PAGE
1	A449801	1	VARIABLE DISPL. PUMP 26CC+9CC 370 BAR		76
2	A451003	1	MOUNTING BRACKET PRESSURE FILTER		-
3	64807	1	PRESSURE FILTER, HYDR. B&P 539047001		-
4	66414	1	FASTENING BOLT PRESSURE FILTER BONDIOLI		-
5	A451014	1	POWER LIMITER 2-WAY VARIABLE DISPL. PUMP		-
6	A451016	1	FLUSHING VALVE VARIABLE DISPL. PUMP		-
7	A442619	1	O-RING Ø 82,22X2,62 90 SH VARIABLE		-
8	66165	2	PRESSURE RELIEF CARTRIDGE 370BAR		-
9	A430053	1	SEAL KIT, HYDRAULIC PUMP M4PV21-		-

27.3.2024

---

# A463318 EXHAUST MUFFLER + PIPE ASSEMBLY 735I

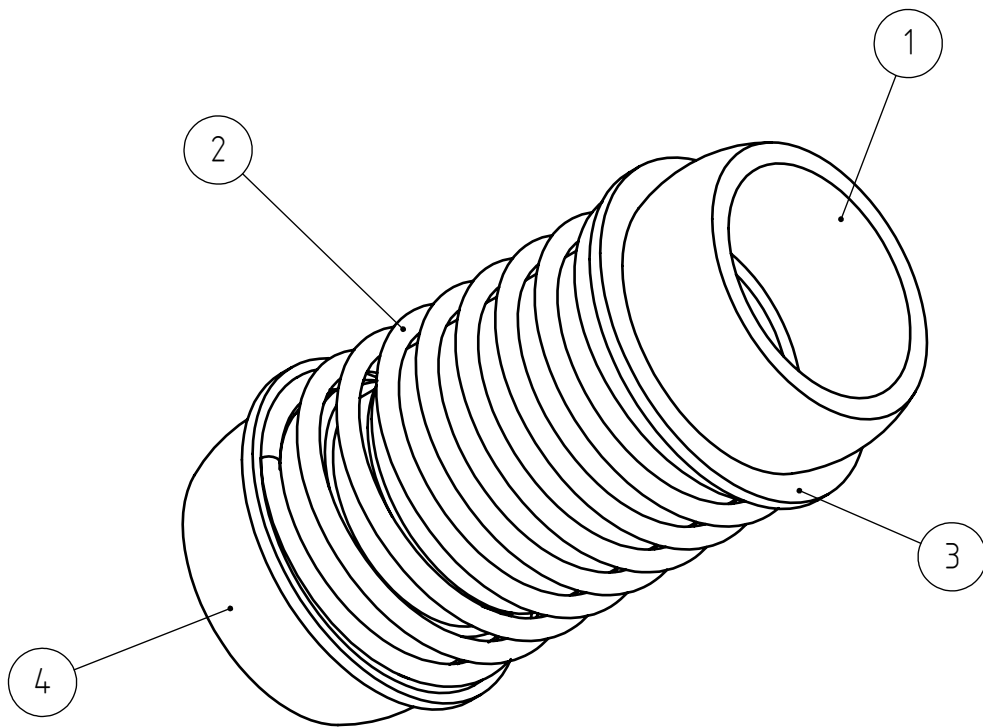


27.3.2024

**A463318 EXHAUST MUFFLER + PIPE ASSEMBLY 735I**

REF	PART NO	QTY	DESCRIPTION	NOTES	PAGE
1	A462716	1	BRACKET EXHAUST MUFFLER KOHLER KSD		-
2	A429201	3	HEXAGONAL SERRATED SCREW M8*20 WITH		-
3	A450046	4	HEXAGONAL NUT M8 WITH FLANGE		-
4	A429202	4	HEXAGONAL SERRATED SCREW M8*25 WITH FLAN		-
5	A449566	1	EXHAUST MUFFLER		-
6	A463316	1	EXHAUST PIPE FRONT PART BEND 735I WITH		-
7	A452828	1			80
8	A458354	1	CLAMP EXHAUST PIPE		-

**A452828**





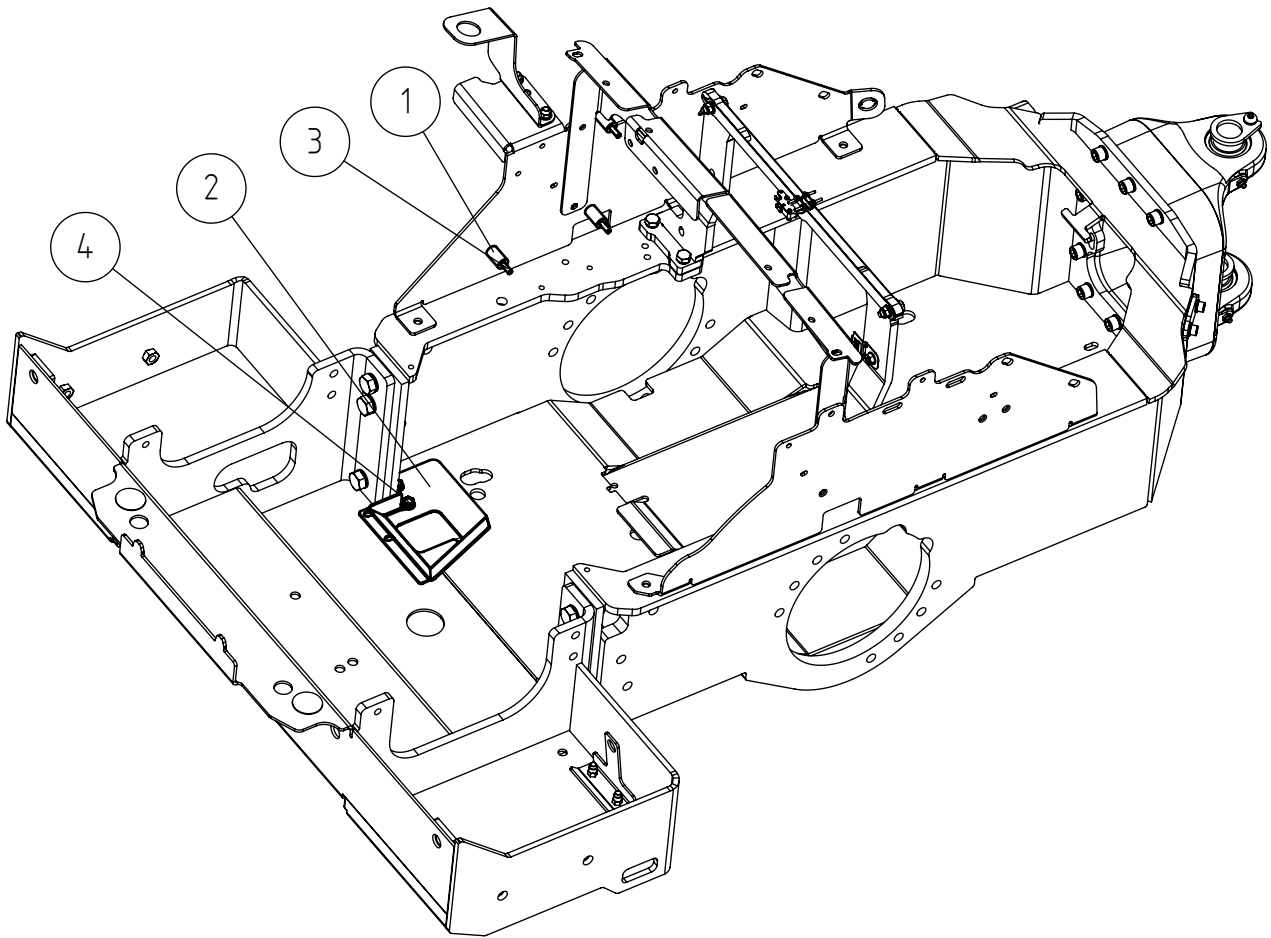
27.3.2024

**A452828**

REF	PART NO	QTY	DESCRIPTION	NOTES	PAGE
1	A46004	1	EXHAUST PIPE, OUTER		-
2	A46005	1	SPRING 3*41*140 NT 8,5		-
3	A46002	2	RING		-
4	A46003	1	EXHAUST PIPE, INNER		-

27.3.2024

# A462833 MOUNTING PARTS KOHLER KSD 735I



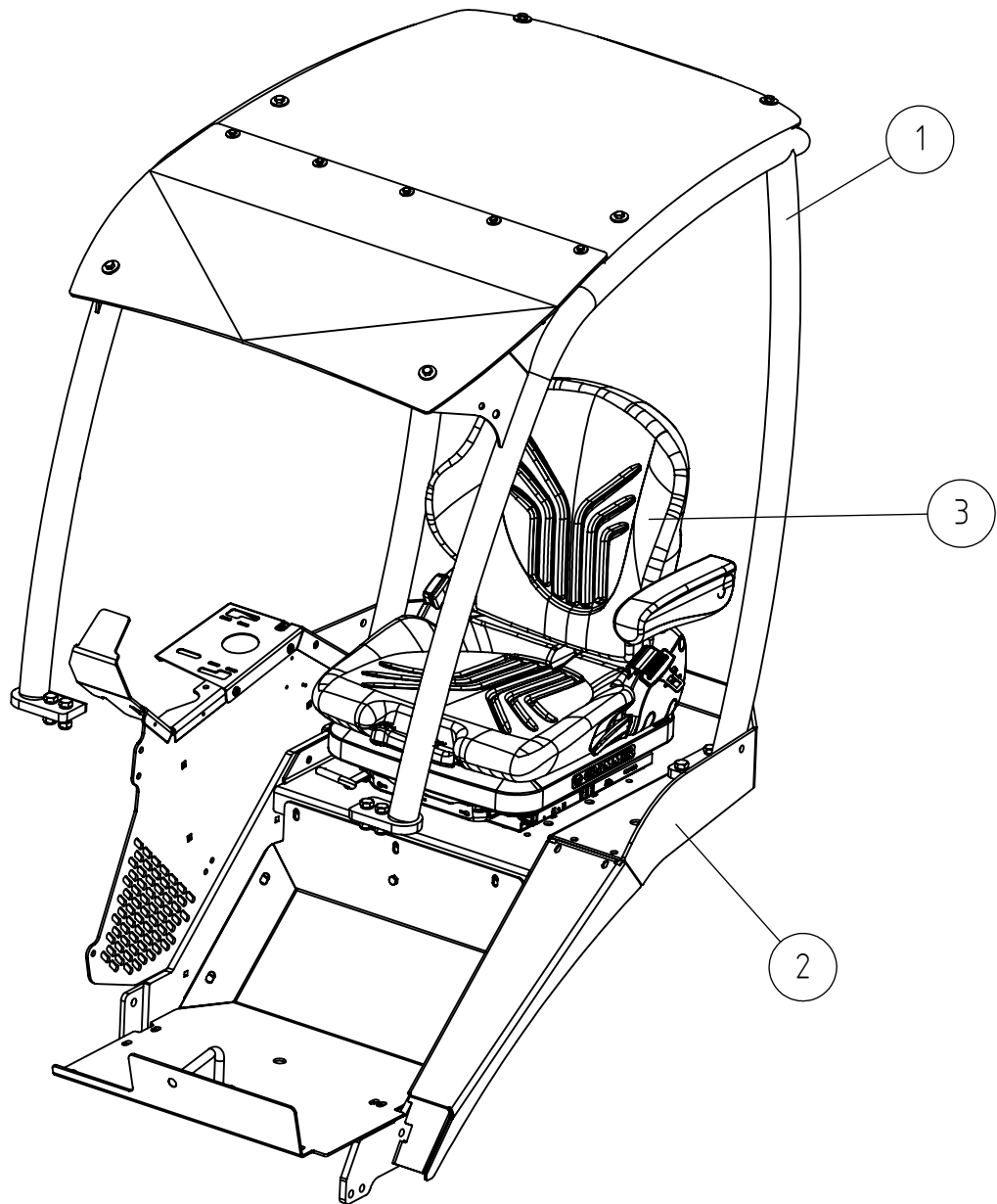
27.3.2024

**A462833 MOUNTING PARTS KOHLER KSD 735I**

REF	PART NO	QTY	DESCRIPTION	NOTES	PAGE
1	A460180	3	BUSHING D16/D7		-
2	A463702	1	GUIDE PLATE ENGINE OIL DRAIN 735I		-
3	A464595	3			-
4	A429200	2	HEXAGONAL SERRATED SCREW M8*16 WITH		-
5	A450046	2	HEXAGONAL NUT M8 WITH FLANGE		-

27.3.2024

# A462015 ROPS/FOPS CAB ASSEMBLY 600-700 SERIES



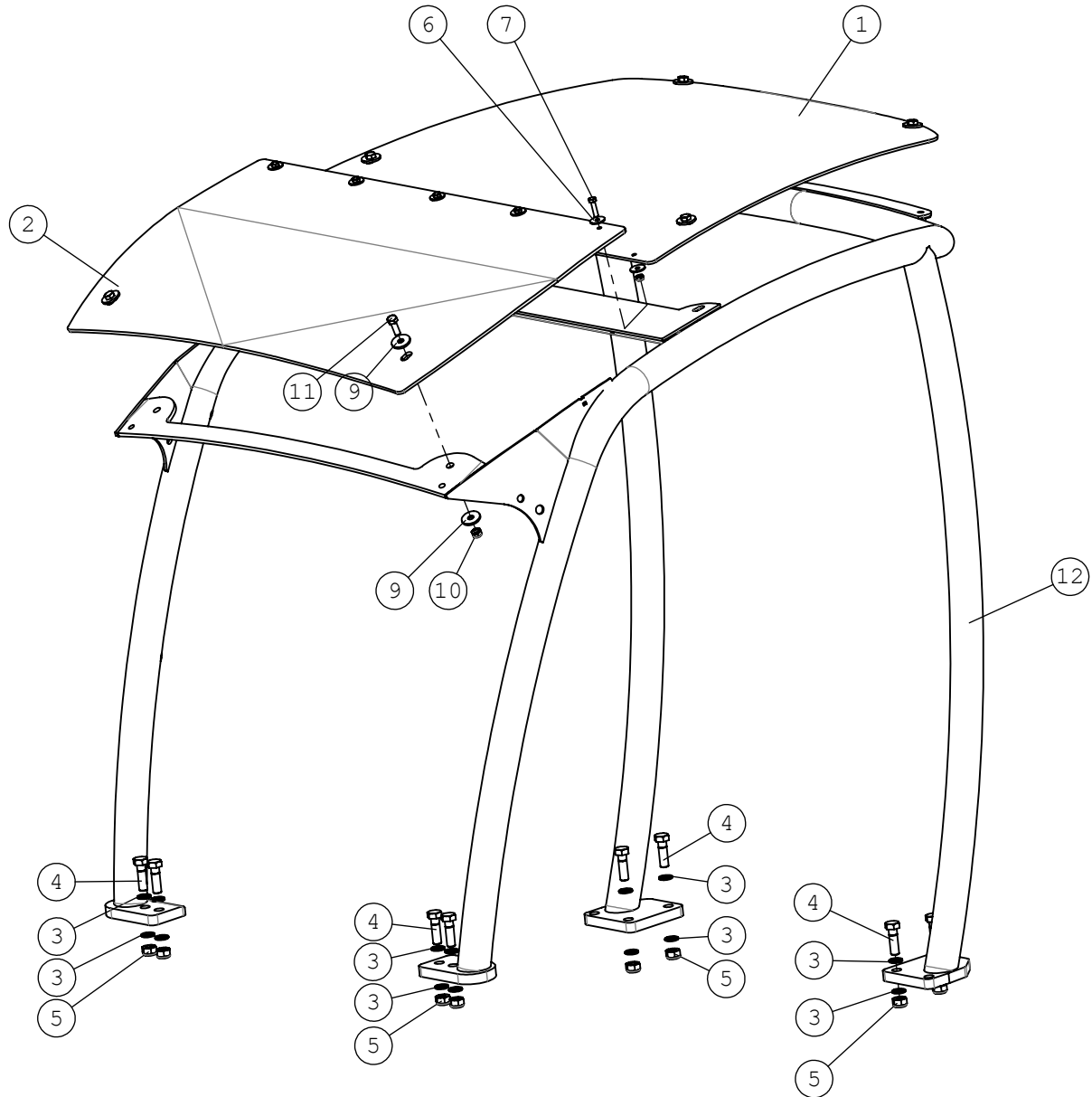
27.3.2024

**A462015 ROPS/FOPS CAB ASSEMBLY 600-700 SERIES**

REF	PART NO	QTY	DESCRIPTION	NOTES	PAGE
1	A49119	1	ROPS FRAME WITH FOPS CANOPY, 600/700 SER		86
2	A462011	1	SEAT BASE ASSEMBLY 500-700 SERIES		88
3	A449718	1	SEAT FULL SUSPENSION VINYL HEATER MSG65		-
4	A450046	4	HEXAGONAL NUT M8 WITH FLANGE		-

27.3.2024

# A49119 ROPS FRAME WITH FOPS CANOPY, 600/700 SER



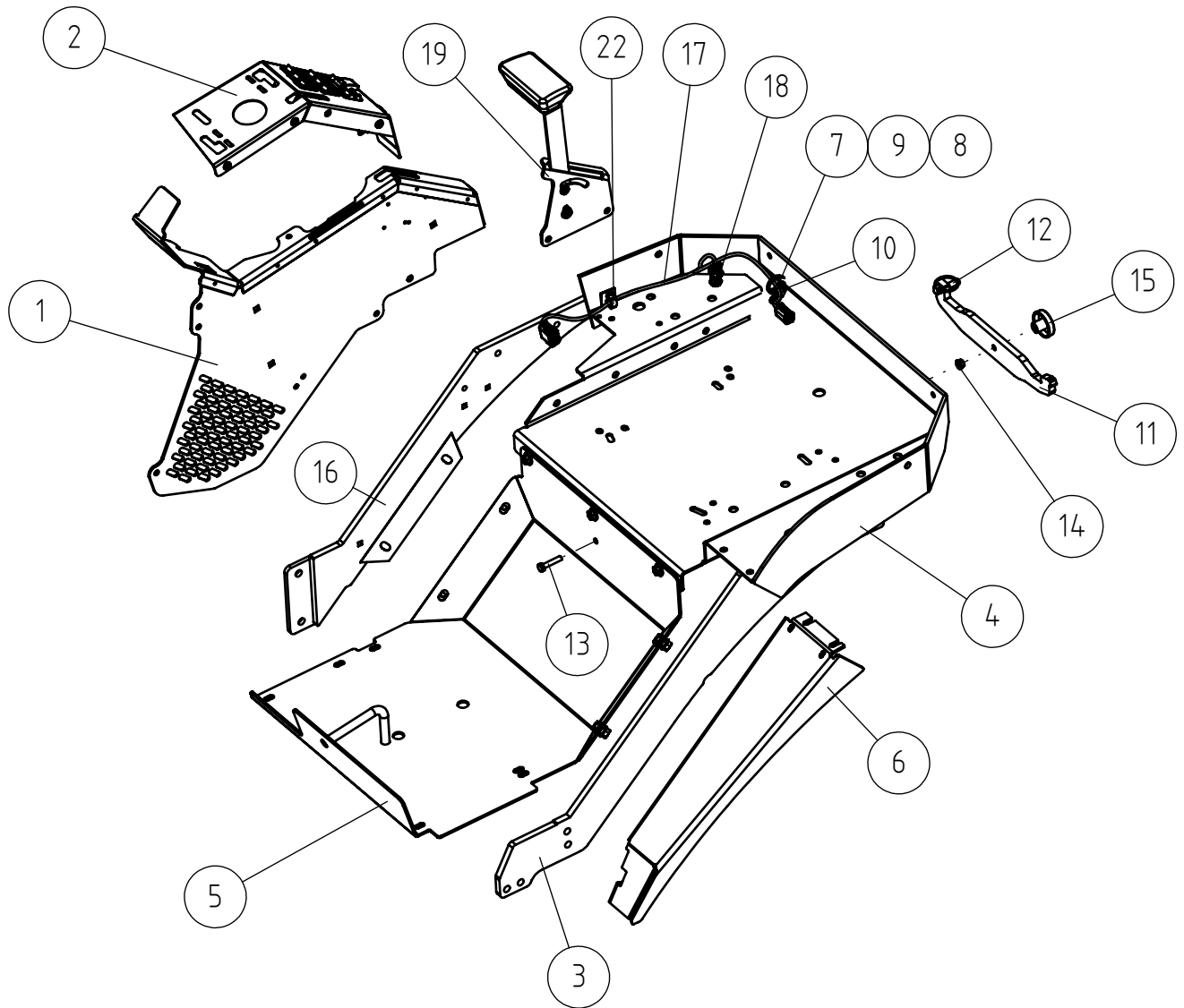
27.3.2024

**A49119 ROPS FRAME WITH FOPS CANOPY, 600/700 SER**

REF	PART NO	QTY	DESCRIPTION	NOTES	PAGE
1	A48905	1	FOPS CANOPY PLATE 500/600/700		-
2	A48909	1	CANOPY, SHORT, POLYCARBONATE (WITH FOPS)		-
3	74532	16	WASHER NORDLOCK NL12		-
4	73322	8	HEXAGONAL SCREW M12*40 DIN 931		-
5	72324	8	HEXAGONAL NUT M 12 NYLOC DIN 985		-
6	71681	10	WASHER M6 DIN 440		-
7	72119	5	HEXAGONAL SCREW M6*25 DIN 933 ZN		-
8	72318	5	HEXAGONAL NUT M 6 DIN 985 NYLOC		-
9	71685	12	WASHER M8 R9 DIN 440 ZN		-
10	72320	6	HEXAGONAL NUT M8 NYLOC DIN 985		-
11	72132	6	HEXAGONAL SCREW M 8*25 DIN 933 ZN		-
12	A33920	1	ROPS FRAME 1090 MM 600/700 SERIES		-

27.3.2024

# A462011 SEAT BASE ASSEMBLY 500-700 SERIES





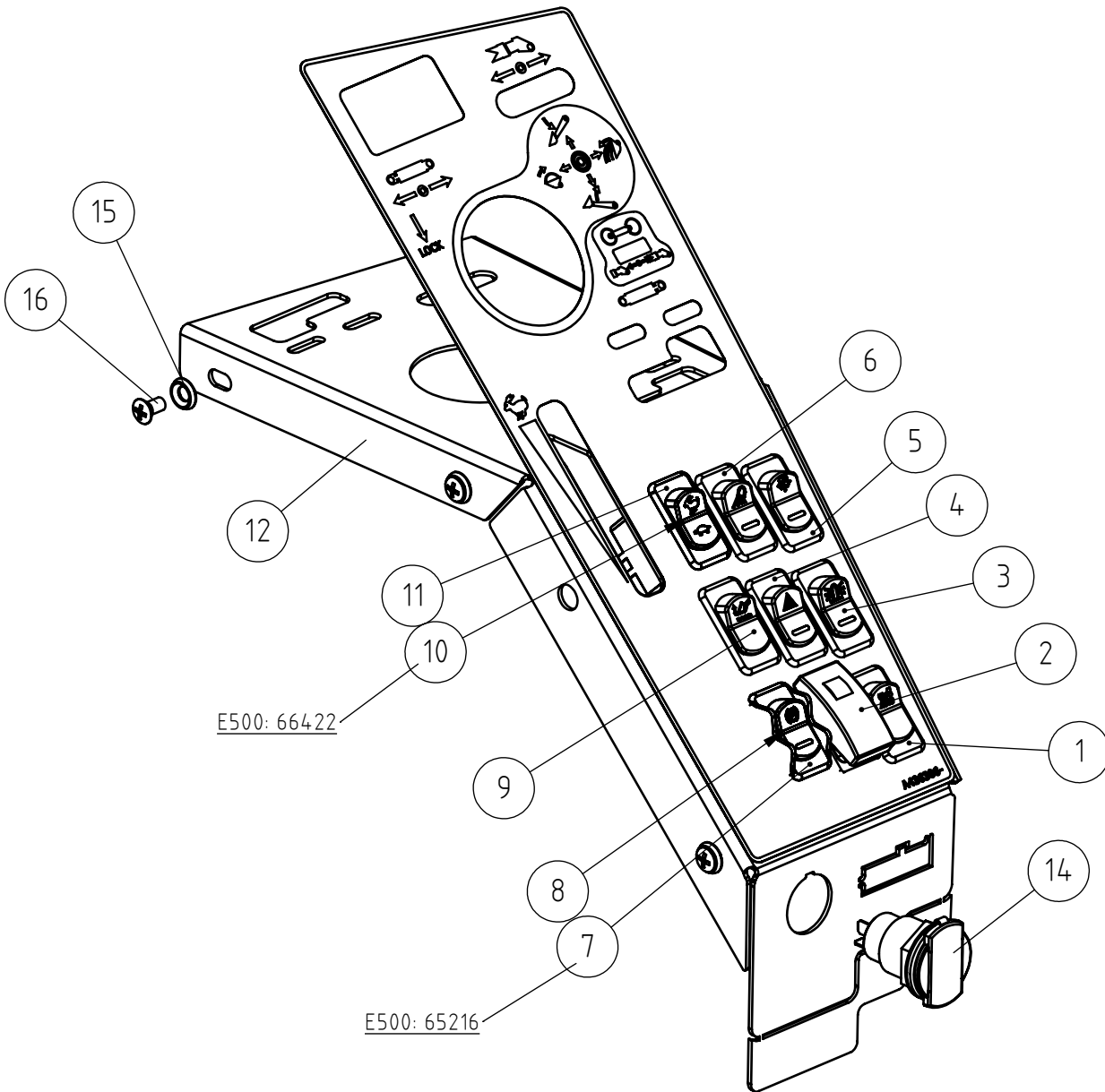
27.3.2024

**A462011 SEAT BASE ASSEMBLY 500-700 SERIES**

REF	PART NO	QTY	DESCRIPTION	NOTES	PAGE
1	A438092	1	MOUNTING PLATE CONTROL VALVE HDS16		-
2	A439987	1	INSTRUMENT PANEL WITH DECAL 700 / 800		90
3	A47834	1	BAR, LEFT		-
4	A48246	1	SEAT BASE		-
5	A47399	1	FLOOR PLATE		-
6	A47531	1	EDGE PLATE		-
7	74767	1	RAISED COUNTERSUNK HEAD SCREW M6*20		-
8	74768	1	WASHER CONICAL M6		-
9	74781	1	HEXAGONAL NUT M6 WITH FLANGE		-
10	A442639	1	CABLE TIE 7,6*390 M6 BLACK		-
11	A410307	1	FRAME LOCK		-
12	71727	1	LINCH PIN 9,5 MM		-
13	73222	1	HEXAGONAL SCREW M8*40 DIN 933		-
14	74782	1	HEXAGONAL NUT M8 WITH FLANGE		-
15	64188	1	FINGER SCREW R5026M8S		-
16	A47389	1	BAR, RIGHT		-
17	A451202	1	WIRE HARNESS SEAT GRAMMER		-
18	A433798	1	TEMPERATURE SENSOR TF-W		-
19	A454062	1	ARMREST RIGHT 400-700 SERIES ROPS		-
20	A453082	10	HEXAGONAL NUT M10 DIN 6923		-
21	A432196	5	HEXAGONAL SERRATED SCREW M10*20 W. FLANG		-
22	A466189	1	CABLE FASTENER D18		-

27.3.2024

# A439987 INSTRUMENT PANEL WITH DECAL 700 / 800

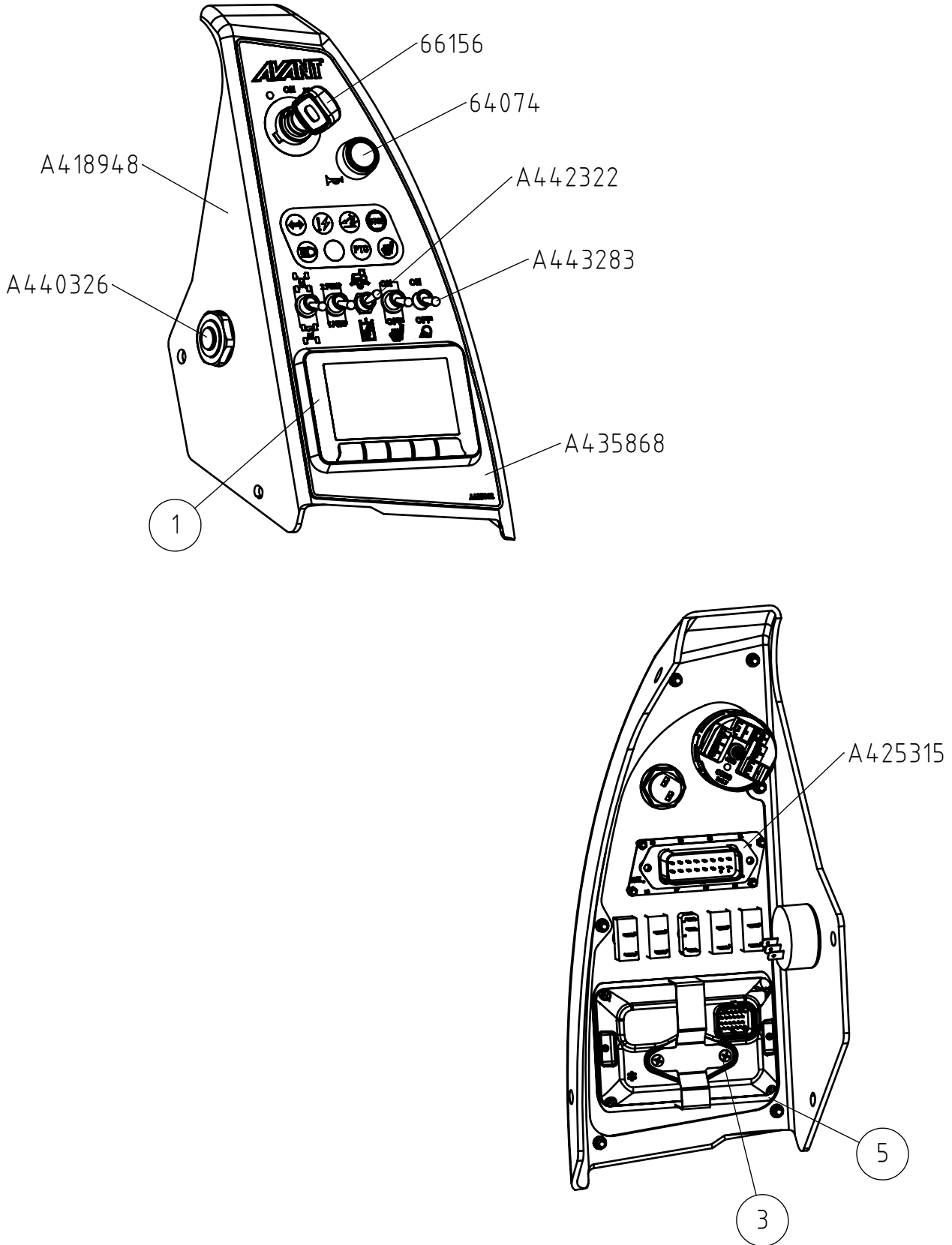


27.3.2024

**A439987 INSTRUMENT PANEL WITH DECAL 700 / 800**

REF	PART NO	QTY	DESCRIPTION	NOTES	PAGE
1	A437343	1	ROCKER SWITCH OPTICONTROL		-
2	A430996	1	SWITCH, HYDR. ATTACHMENT COUPLING		-
3	65065	1	SWITCH, BEACON		-
4	65064	1	SWITCH, WARNING BLINKER		-
5	65063	1	SWITCH, WIPER/WASHER		-
6	65066	1	SWITCH, WORK LIGHT		-
7	65216	1	SWITCH, PARKING BRAKE		-
8	A442040	1	SWITCH PARKING BRAKE		-
9	A437190	1	SWITCH SMOOTH DRIVE		-
10	66422	1	SWITCH SLOW-FAST (TURTLE-RABBIT)		-
11	65246	1	SWITCH, DRIVE SPEED AREA (TURTLE-RABBIT)		-
12	A431454	1	PANEL 800 SERIES		-
13	A436386	1	DECAL INSTRUMENT PANEL 800 SERIES		-
14	A436424	1	OUTLET 12V/20A WITH COVER		-
15	74768	3	WASHER CONICAL M6		-
16	75162	3	CROSS HEAD COUNTERS SCREW M6*12		-

# A435860 DASHBOARD ASSEMBLY 700-800 ROPS



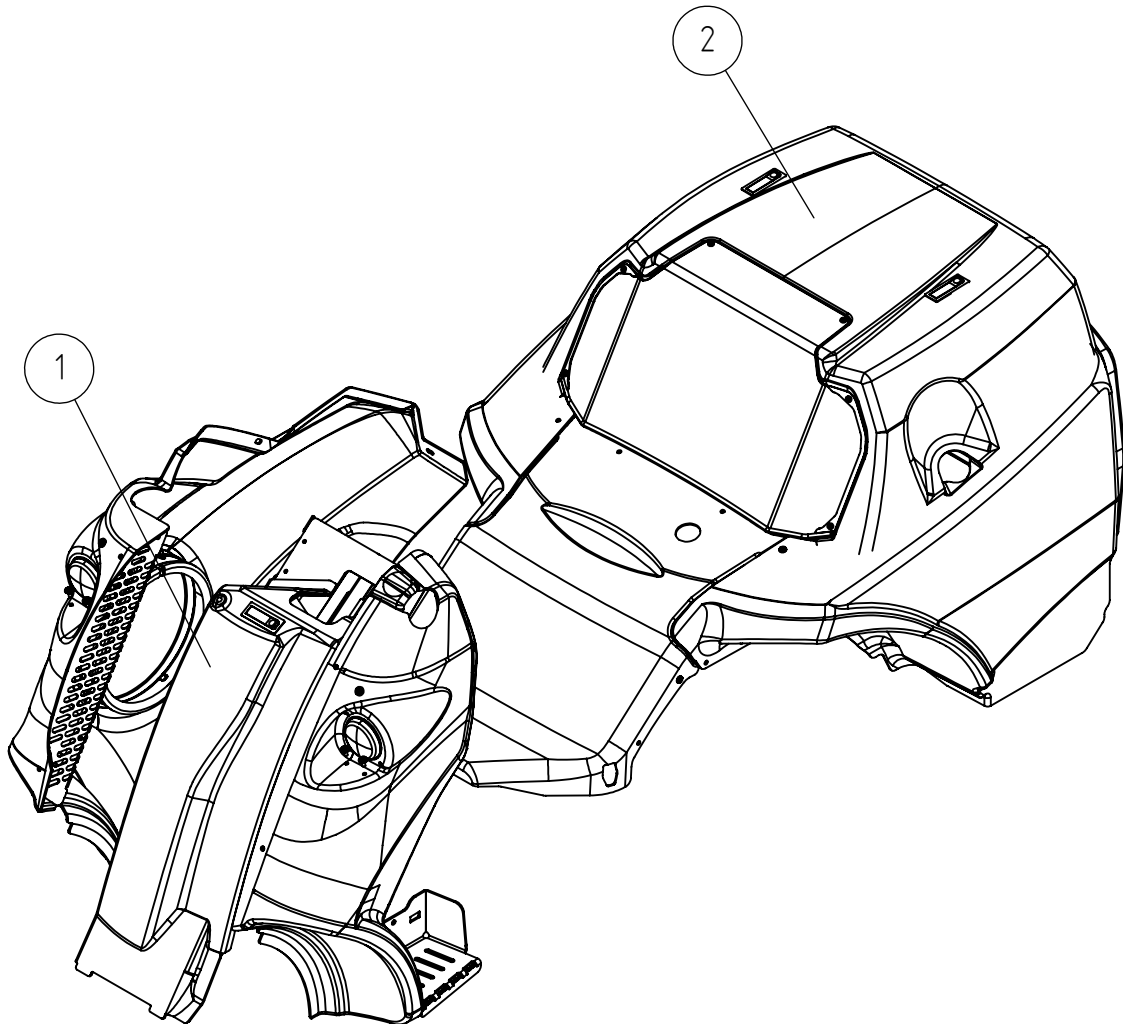
27.3.2024

**A435860 DASHBOARD ASSEMBLY 700-800 ROPS**

REF	PART NO	QTY	DESCRIPTION	NOTES	PAGE
1	A428466	1	DISPLAY 4,3" COLOUR LED		-
2	A456497	1	DASHBOARD WITHOUT DISPLAY 523...8601		-
2.1	A436098	1	WIRE HARNESS DASHBOARD		-
2.2	A425315	1	INDICATOR LIGHTS DASHBOARD		-
2.3	A440326	1	ALARM BEEPER D28,5/D45 -H47		-
2.4	A418948	1	HOUSING PANEL ABS DASHBOARD		-
2.5	66156	1	IGNITION SWITCH 12V/30A/60A IP65 COBO		-
2.6	A442322	1	ROCKER SWITCH ON-OFF-MOM 3-POLE		-
2.7	A443283	4	TOGGLE SWITCH ON-OFF 2-POLE		-
2.8	64074	1	PUSH BUTTON F22,5 SIGNAL HORN		-
2.9	A435868	1	COVER DASHBOARD 700-800 STAGE 5		-
3	A431502	2	PAN HEAD MACHINE SCREW M4*8		-
4	A423587	1	MOUNTING PLATE DISPLAY		-
5	A436780	1	GROUNDING FRAME CANVIEW4 GAUGE PANEL		-

27.3.2024

# A451115 COVER PLATES KIT, ABS 700 SERIES ROPS



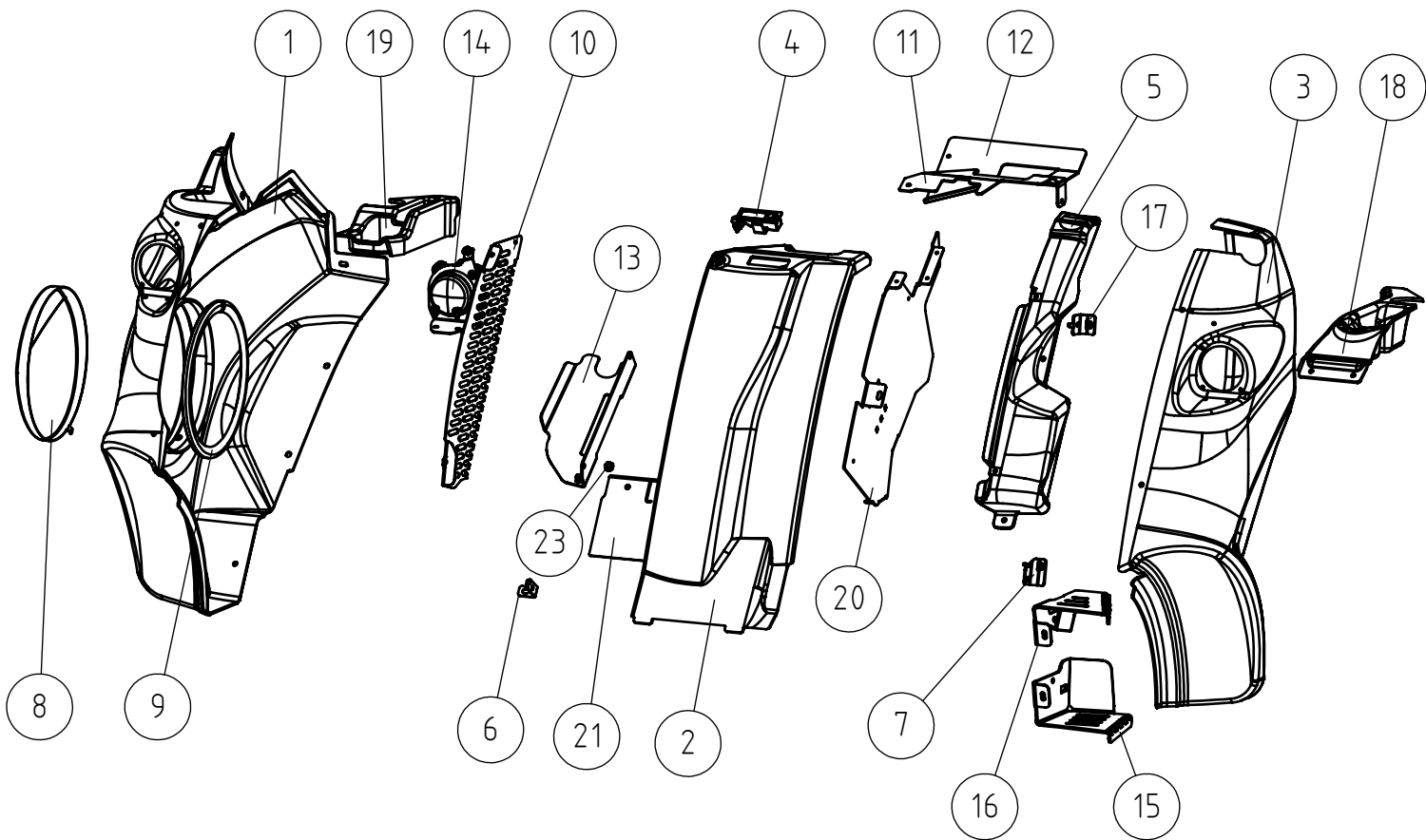
27.3.2024

**A451115 COVER PLATES KIT, ABS 700 SERIES ROPS**

REF	PART NO	QTY	DESCRIPTION	NOTES	PAGE
1	A446265	1	COVER PLATES FRONT FRAME ABS 500-700		96
2	A442266	1	COVER PLATES ABS, KIT, REAR FRAME		100

27.3.2024

# A446265 COVER PLATES FRONT FRAME ABS 500-700





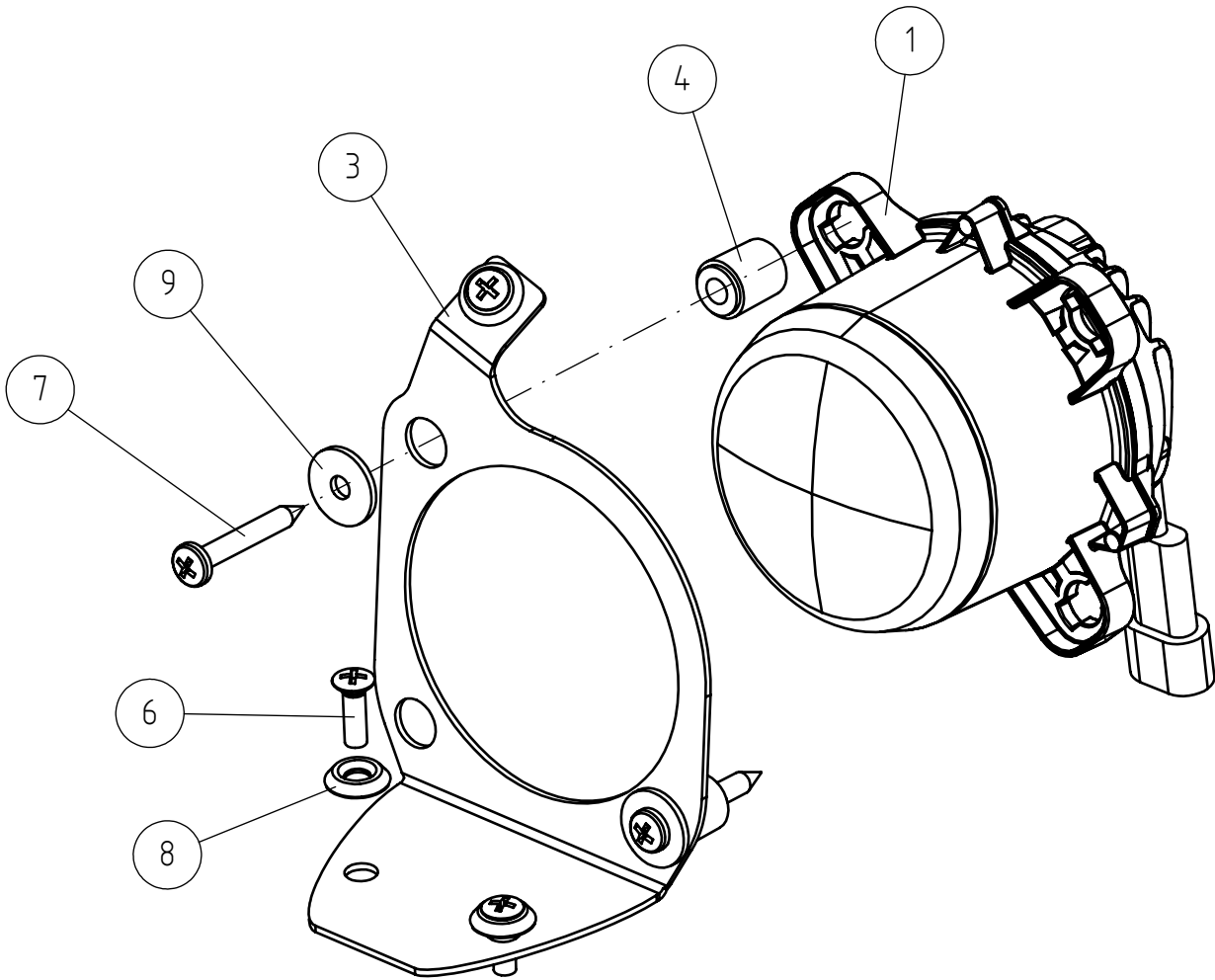
27.3.2024

**A446265 COVER PLATES FRONT FRAME ABS 500-700**

REF	PART NO	QTY	DESCRIPTION	NOTES	PAGE
1	A446215	1	COVER PLATE FRONT RIGHT ABS 500-700		-
2	A445993	1	COVER PLATE FRONT ABS ROPS / GT 500-700		-
3	A446305	1	COVER PLATE FRONT LEFT ABS 500-700		-
4	65085	1	LATCH		-
5	A446048	1	MOUNTING BRACKET COVER PLATE FRONT LEFT		-
6	A446422	1	MOUNTING BRACKET SHORT COVER PLATE		-
7	A450748	1	MOUNTING BRACKET LEFT COVER PLATE		-
8	A431524	1	MESH HYDRAULIC OIL COOLER		-
9	A438435	1	EDGE BANDING, FAN 800 SERIES		-
10	A446221	1	MOUNTING BRACKET COVER PLATE FRONT RIGHT		-
11	A450610	1	MOUNTING BRACKET COVER PLATE FRONT		-
12	A445628	1	MOUNTING BRACKET COVER PLATE FRONT		-
13	A454142	1	MOUNTING BRACKET COVER PLATE FRONT RIGHT		-
14	A450770	1	WORK LIGHTS LED ON FRONT COVERS ASSEMBLY		98
15	A450071	1	STEP, MACHINE WITH ROPS		-
16	A450093	1	STEP, MACHINE WITH ROPS		-
17	A451440	1	MOUNTING BRACKET LEFT COVER PLATE		-
18	A434360	1	CUP HOLDER, LEFT		-
19	A431510	1	CUP HOLDER, RIGHT		-
20	A452905	1	SIDE PLATE		-
21	A452862	1	COVER PLATE DRIVE PEDALS AND ORBITROL		-
22	75069	2	COUPLING NUT M8 DIN 6334		-
23	A429197	2	HEXAGONAL SERRATED SCREW M8*12 W. FLANGE		-

27.3.2024

# A450770 WORK LIGHTS LED ON FRONT COVERS ASSEMBLY



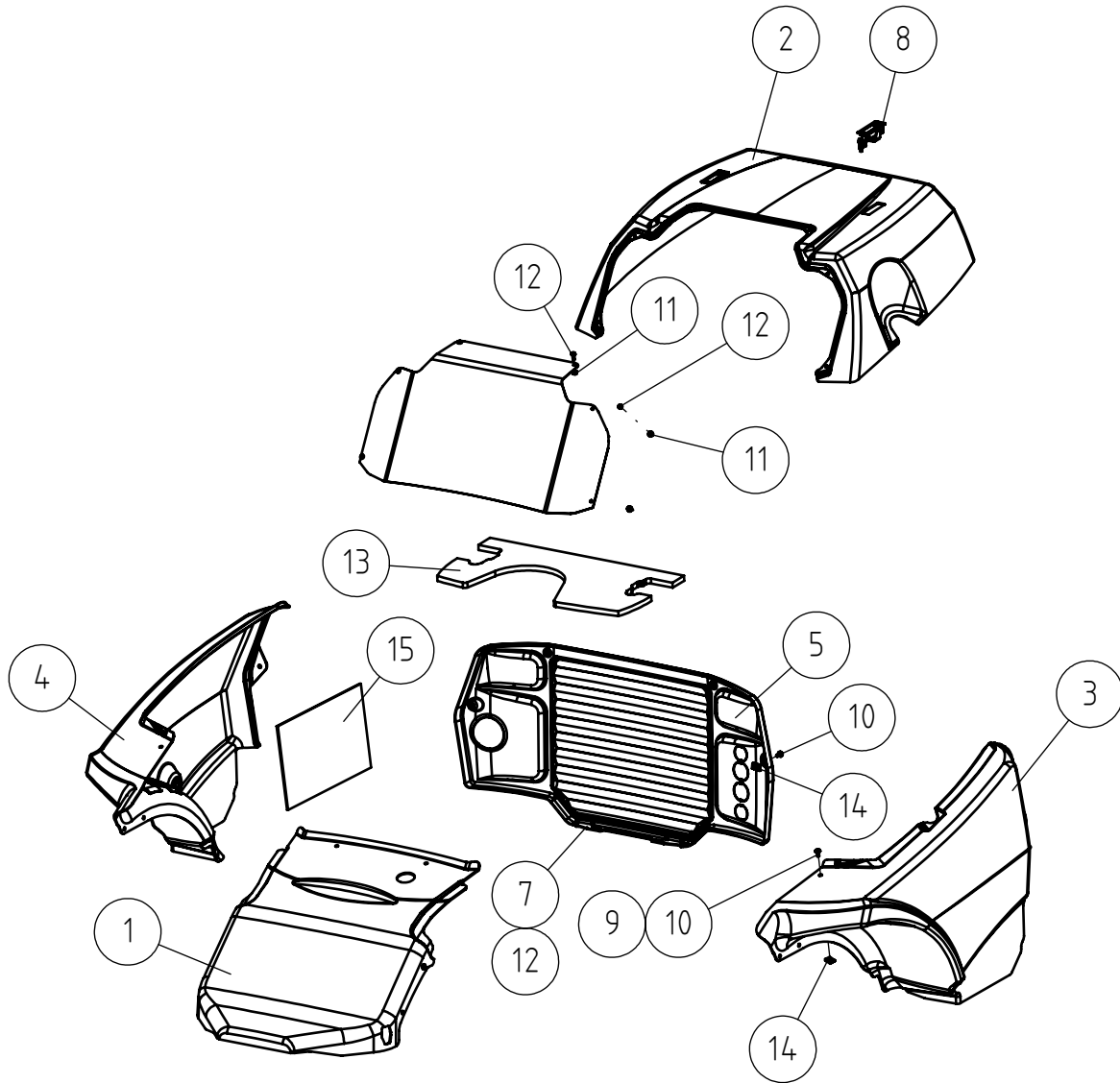
27.3.2024

**A450770 WORK LIGHTS LED ON FRONT COVERS ASSEMBLY**

REF	PART NO	QTY	DESCRIPTION	NOTES	PAGE
1	A441777	2	WORK LIGHT LED 1000 LUMEN 12V		-
2	A450528	1	MOUNTING BRACKET RIGHT WORK LIGHT LED		-
3	A450553	1	MOUNTING BRACKET LEFT WORK LIGHT LED		-
4	A450763	4	BUSHING FRONT LIGHT		-
5	A436960	1	WIRE HARNESS WORK LIGHTS FRONT		-
6	74767	6	RAISED COUNTERSUNK HEAD SCREW M6*20		-
7	A461980	4	SCREW 6X45		-
8	A422221	6	WASHER M6 GREEN PLASTIC, ANALOG FOR		-
9	71681	4	WASHER M6 DIN 440		-

27.3.2024

# A442266 COVER PLATES ABS, KIT, REAR FRAME



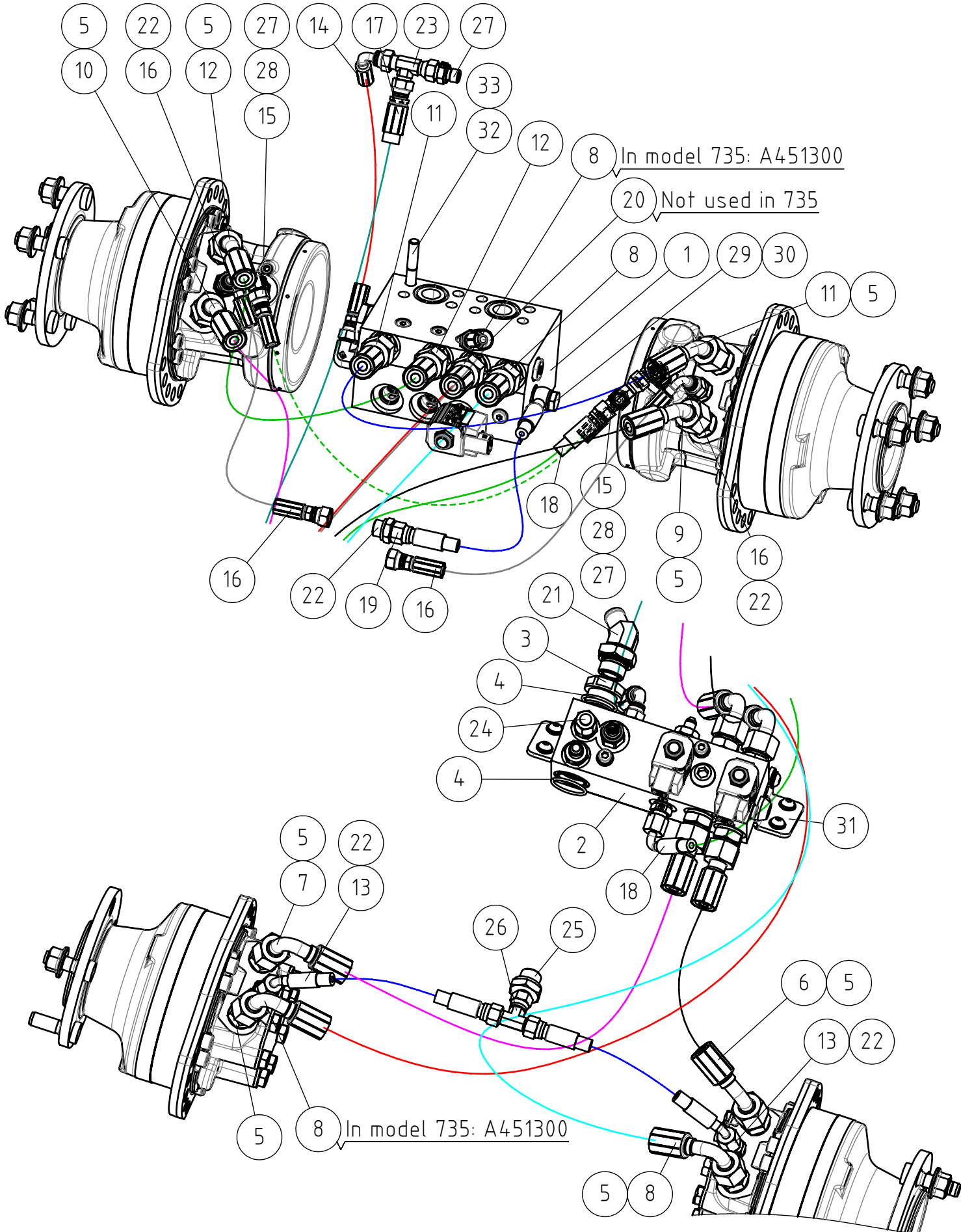
27.3.2024

**A442266 COVER PLATES ABS, KIT, REAR FRAME**

REF	PART NO	QTY	DESCRIPTION	NOTES	PAGE
1	A442264	1	COVER PLATE REAR CENTER FRONT ABS		-
2	A436436	1	COVER PLATE ENGINE, ABS, 800 STAGE V		-
3	A442294	1	COVER PLATE REAR LEFT ABS, 800 STAGE 5		-
4	A442263	1	COVER PLATE REAR RIGHT ABS, 800 STAGE 5		-
5	A437378	1	REAR GRILLE WITHOUT LIGHTS 700/800		-
6	A437107	1	FRONT MESH, COVER PLATE ENGINE 700/800		-
7	A446673	1	MOUNTING PLATE REAR GRILLE 700/800		-
8	65085	2	LATCH		-
9	74768	3	WASHER CONICAL M6		-
10	74767	3	RAISED COUNTERSUNK HEAD SCREW M6*20		-
11	74781	6	HEXAGONAL NUT M6 WITH FLANGE		-
12	A437544	10	THREAD-FORMING SCREW BLACK M6*16 DIN		-
13	A418781	1	SEALING PLATE		-
14	74807	3	SPEED NUT M6, FOR 0.5-4.0 MM PLATE		-
15	A439798	1	HEAT SHIELD ON REAR COVER PLATE 700/800		-

27.3.2024

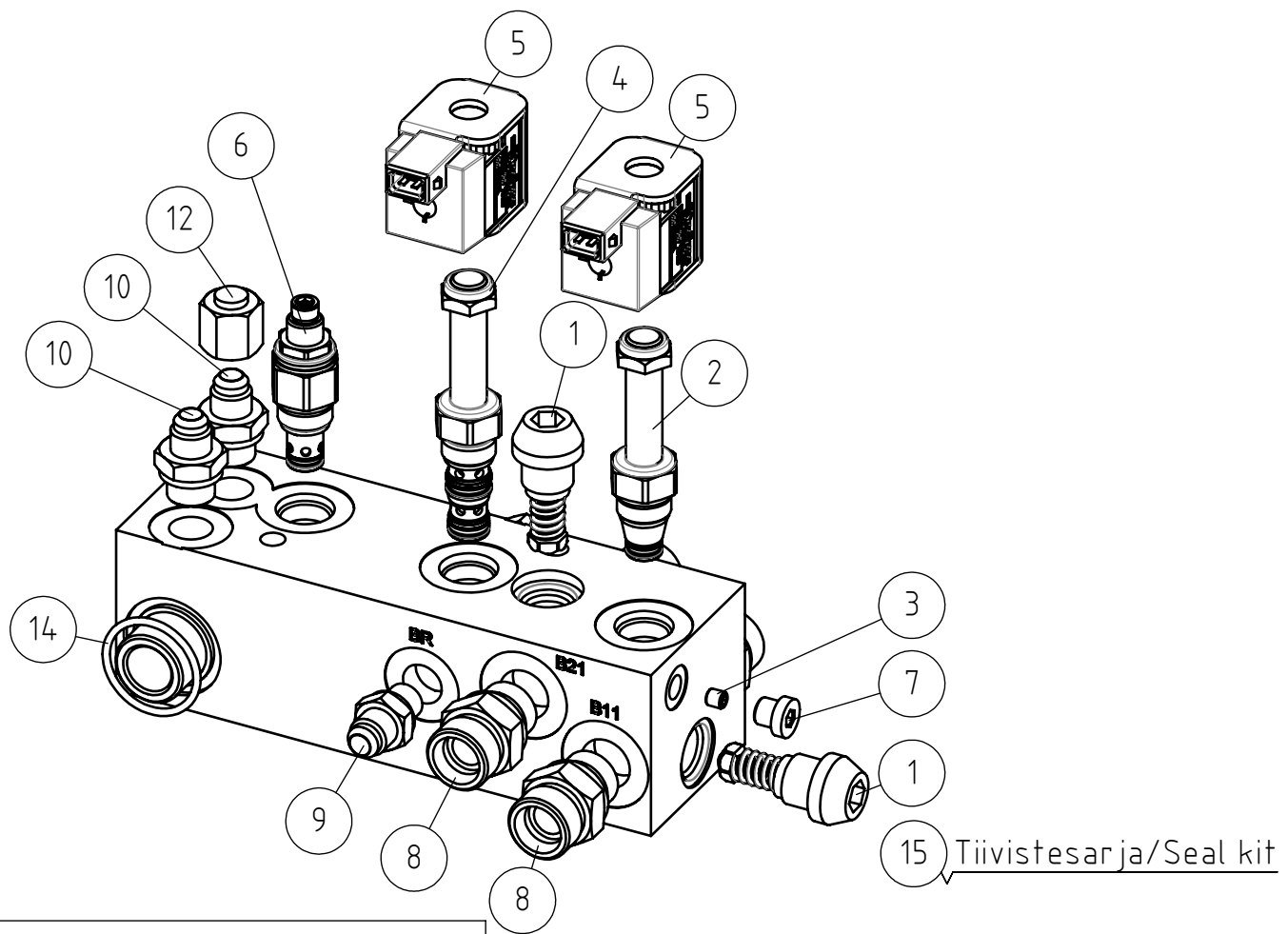
# A452920 HYDR. HOSES DRIVE, WITH ANTI SLIP 700



**A452920 HYDR. HOSES DRIVE, WITH ANTI SLIP 700**

REF	PART NO	QTY	DESCRIPTION	NOTES	PAGE
1	A451904	1	HYDRAULIC MANIFOLD ANTI SLIP VALVE		-
2	A454023	1	HYDRAULIC MANIFOLD 1-SPEED DRIVE RELEASE		104
3	A421825	1	BANJO BOLT, HYDR. MANIFOLD		-
4	75112	2	O-RING NBR F 32,99*2,62 90SH		-
5	A449892	8	BASIC FITTING G1/2" M24*1,5		-
6	A451297	1	HYDR. HOSE L=330		-
7	A451295	1	HYDR. HOSE L=630		-
8	A451425	2	HYDR. HOSE L=1800		-
9	A451428	1	HYDR. HOSE L=1270		-
10	A451426	1	HYDR. HOSE L=1330		-
11	A451303	1	HYDR. HOSE L=800		-
12	A451429	1	HYDR. HOSE L=670		-
13	A429297	2	HYDR. HOSE L=250		-
14	A410094	1	HYDR. HOSE L=350		-
15	A415127	1	HYDR. HOSE L=580		-
16	A410096	2	HYDR. HOSE L=450		-
17	A414045	1	HYDR. HOSE L=1300		-
18	A410092	1	HYDR. HOSE L=1550		-
19	A428736	1	HYDR. HOSE L=400		-
20	A434555	1	HYDR. HOSE L=2200		-
21	66361	1	HOSE BARB 45° R3/4"UK - 20MM		-
22	64041	5	BASIC FITTING F40XS10-3/8 /8		-
23	64078	2	L-FITTING BODY R6XS10		-
24	64232	1	FITTING HEAD FNTXS10		-
25	64040	1	BASIC FITTING F40XS10-1/2 /2		-
26	64070	1	T FITTING S6XS10		-
27	64059	3	BASIC FITTING F40XS10-1/4		-
28	64043	2	ELBOW FITTING 90° C6XS10		-
29	64557	1	BANJO BOLT R 1/4"		-
30	73757	2	USIT COMPRESSION R1/4"		-
31	A37332	1	MOUNTING PLATE HYDRAULIC MANIFOLD, ASSEM		-
32	A452931	8	HEXAGONAL HEAD SCREW M10*130 12.9		-
33	A434424	8	SAFETY WASHER M10 3/8"		-

# A454023 HYDRAULIC MANIFOLD 1-SPEED DRIVE RELEASE

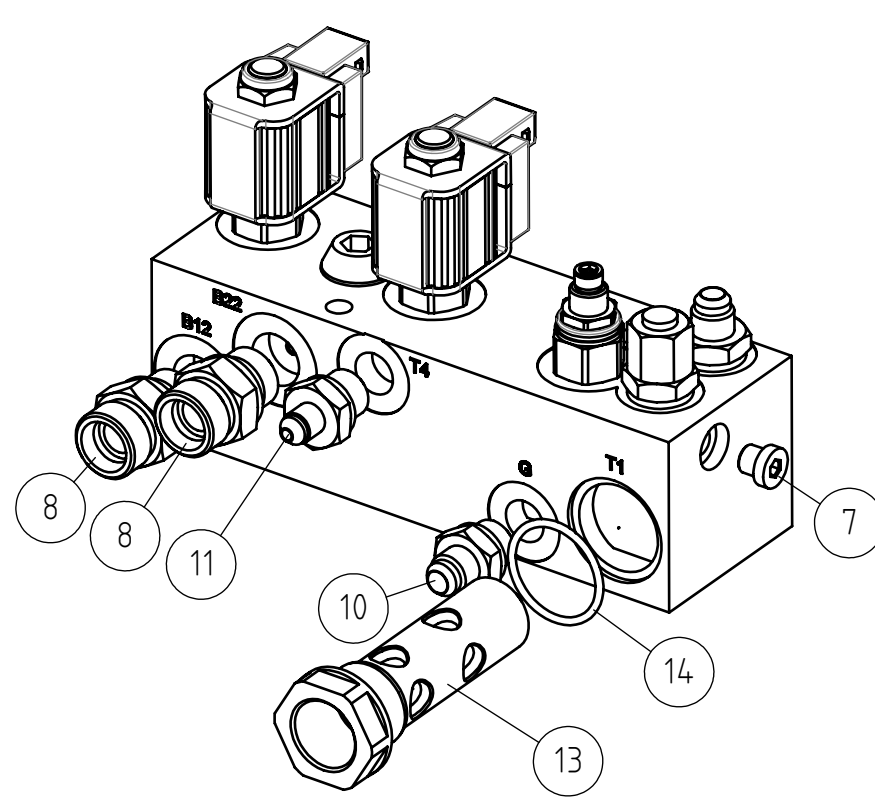


**HUOM!**  
 Nimike A454023 sisältää osat 1 - 12

Tiivistesarja 15 sisältää osien 1, 2, 4 ja 6 tiivisteet

**NOTE!**  
 Item A454023 includes parts 1 - 12

Seal kit 15 includes seals for parts 1, 2, 4 and 6





27.3.2024

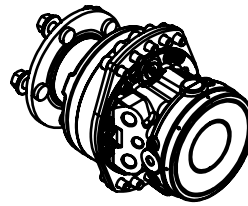
**A454023 HYDRAULIC MANIFOLD 1-SPEED DRIVE RELEASE**

REF	PART NO	QTY	DESCRIPTION	NOTES	PAGE
1	A428734	2	PRESSURE RELIEF VALVE CARTRIDGE 380BAR		-
2	A432309	1	VALVE CARTRIDGE DRIVE RELEASE OPTIDRIVE		-
3	A428738	1	FLOW RESTRICTOR M6/1,0MM		-
4	A428584	1	VALVE CARTRIDGE SPOOL VALVE 3/2		-
5	66452	2	SOLENOID 12VDC/19W		-
6	A428735	1	PRESSURE RELIEF VALVE CARTRIDGE 30BAR		-
7	64407	2	HEXAGONAL PLUG R 1/8" WITH PACKING		-
8	A449892	4	BASIC FITTING G1/2" M24*1,5		-
9	64059	1	BASIC FITTING F40XS10-1/4		-
10	64041	3	BASIC FITTING F40XS10-3/8 /8		-
11	64313	1	BASIC FITTING F40XS6-3/8"		-
12	64232	1	FITTING HEAD FNTXS10		-
13	A421825	1	BANJO BOLT, HYDR. MANIFOLD		-
14	75112	2	O-RING NBR F 32,99*2,62 90SH		-
15	A428793	1	SEAL KIT HYDRAULIC MANIFOLD A421616		-

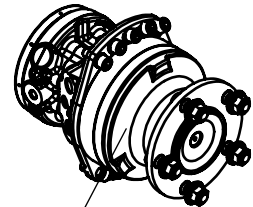
27.3.2024

# A445009 HYDRAULIC MOTOR ASSEMBLY 398 CCM POCLAIN

OIKEA TAKAMOOTTORI  
Right rear drivemotor

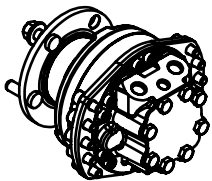


VASEN TAKAMOOTTORI  
Left rear drivemotor

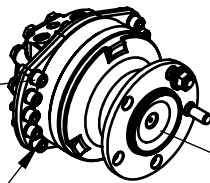


2

OIKEA ETUMOOTTORI  
Right front drivemotor



VASEN ETUMOOTTORI  
Left front drivemotor



4 3

1

M12 8.8  
Kiristysmomentti  
Tightening torque  
91Nm  
Kierrelukite  
Threadlocking compound

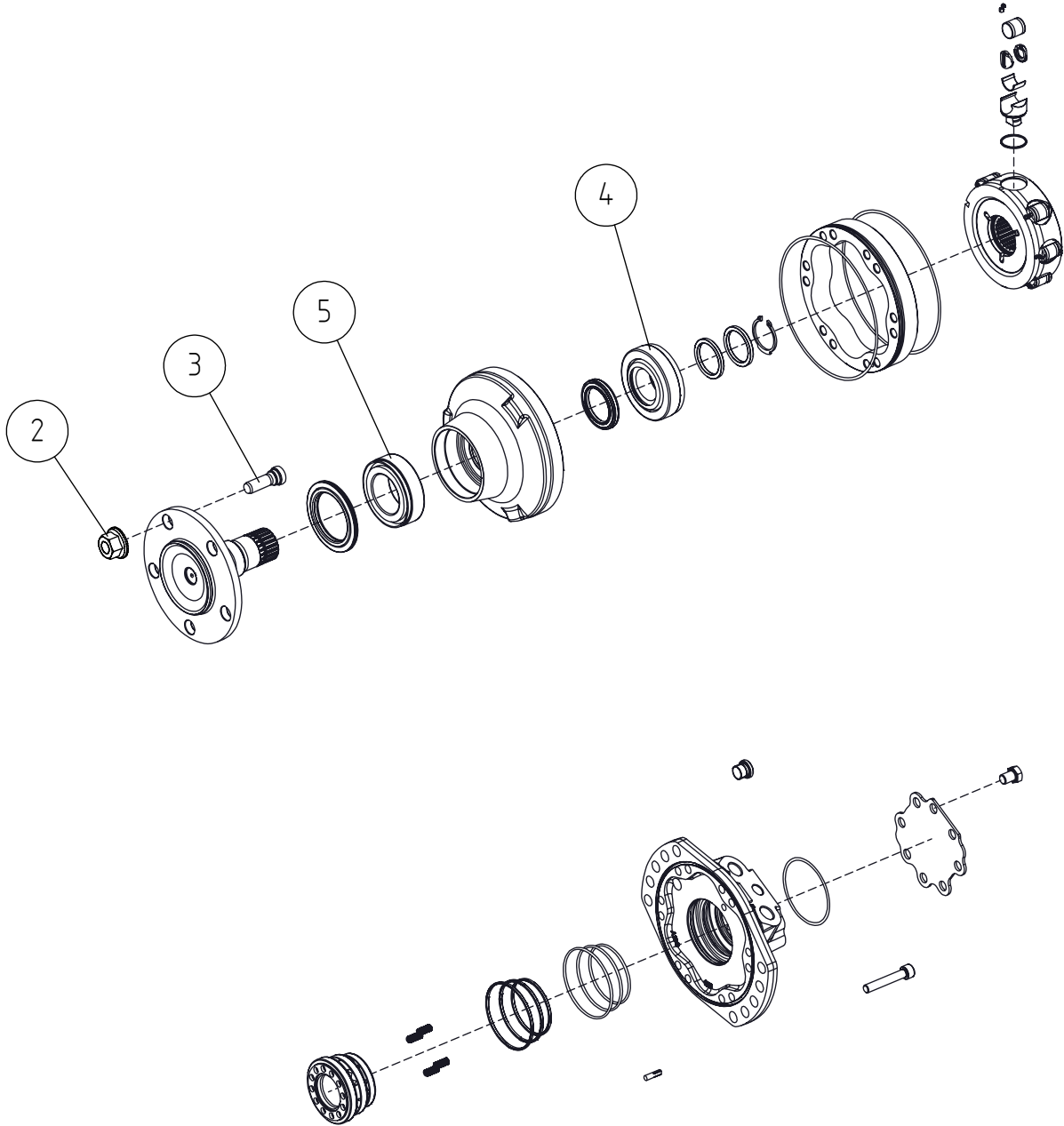
27.3.2024

**A445009 HYDRAULIC MOTOR ASSEMBLY 398 CCM POCLAIN**

REF	PART NO	QTY	DESCRIPTION	NOTES	PAGE
1	65670	2	HYDRAULIC MOTOR MSE02 398CCM		108
2	65671	2	HYDRAULIC MOTOR B MSE02 398CCM W. BRAKE		110
3	74846	40	HEXAGONAL HEAD SCREW M12*30 DIN912		-
4	74532	40	WASHER NORDLOCK NL12		-

27.3.2024

# 65670 HYDRAULIC MOTOR MSE02 398CCM



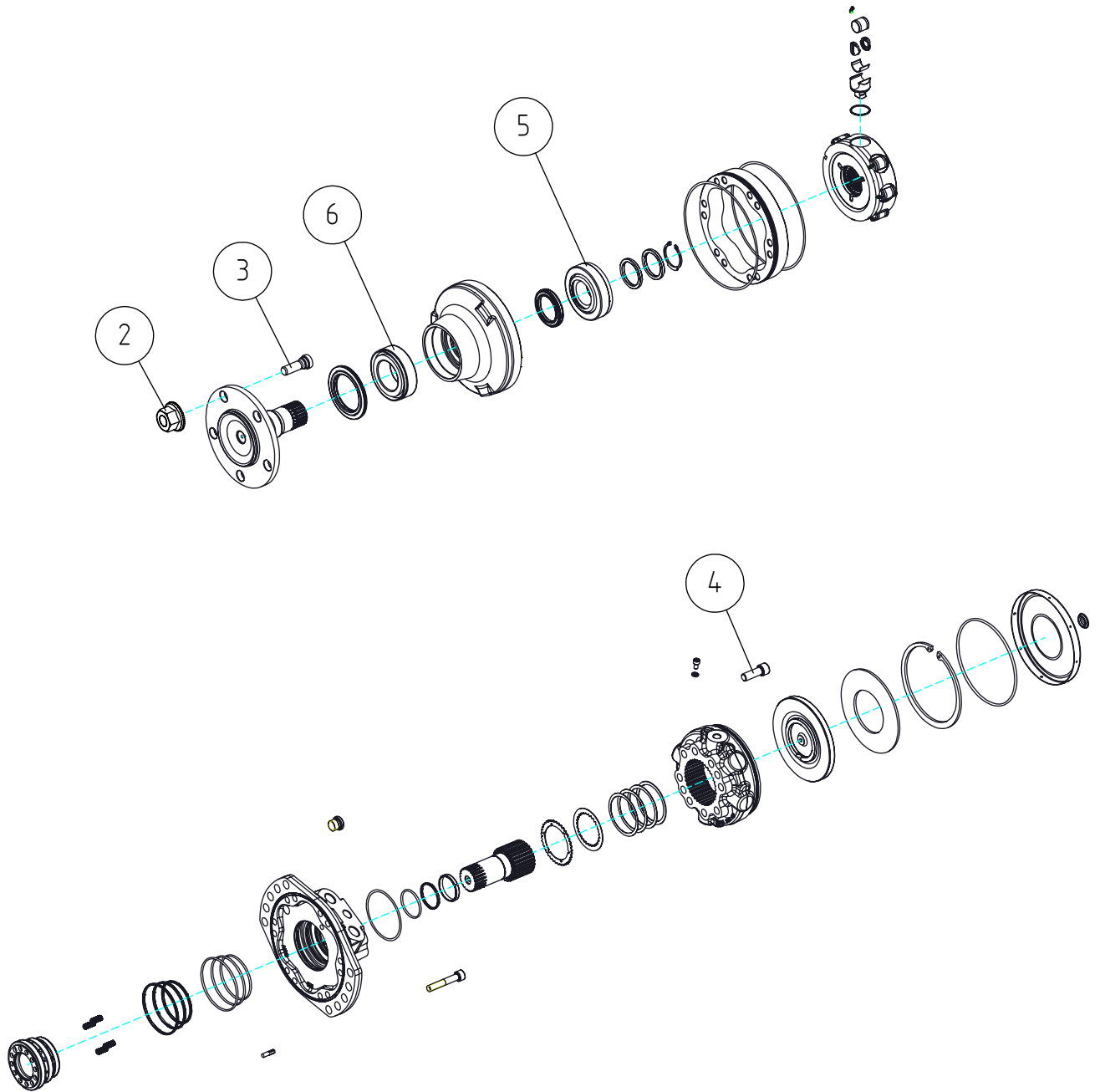
27.3.2024

**65670 HYDRAULIC MOTOR MSE02 398CCM**

REF	PART NO	QTY	DESCRIPTION	NOTES	PAGE
1	65670	1	HYDRAULIC MOTOR MSE02 398CCM		108
2	74866	1	WHEEL NUT M14*1.5 AV22 POCLAIN		-
3	75143	1	WHEEL BOLT M14*1.5-45 12.9 POCLAIN		-
4	A452731	1	CONICAL ROLLER BEARING 31308-C1 POCLAIN		-
5	A452732	1	CONICAL ROLLER BEARING 33110-C1 POCLAIN		-
6	A448105	1	SEAL KIT COMPLETE POCLAIN HYDR. MOTOR		-
7	A448120	1	SEAL KIT POCLAIN REPAIR KIT HYDR. MOTOR		-
8	A448122	1	SEAL KIT POCLAIN OPENING KIT HYDR. MOTOR		-

27.3.2024

# 65671 HYDRAULIC MOTOR B MSE02 398CCM W. BRAKE



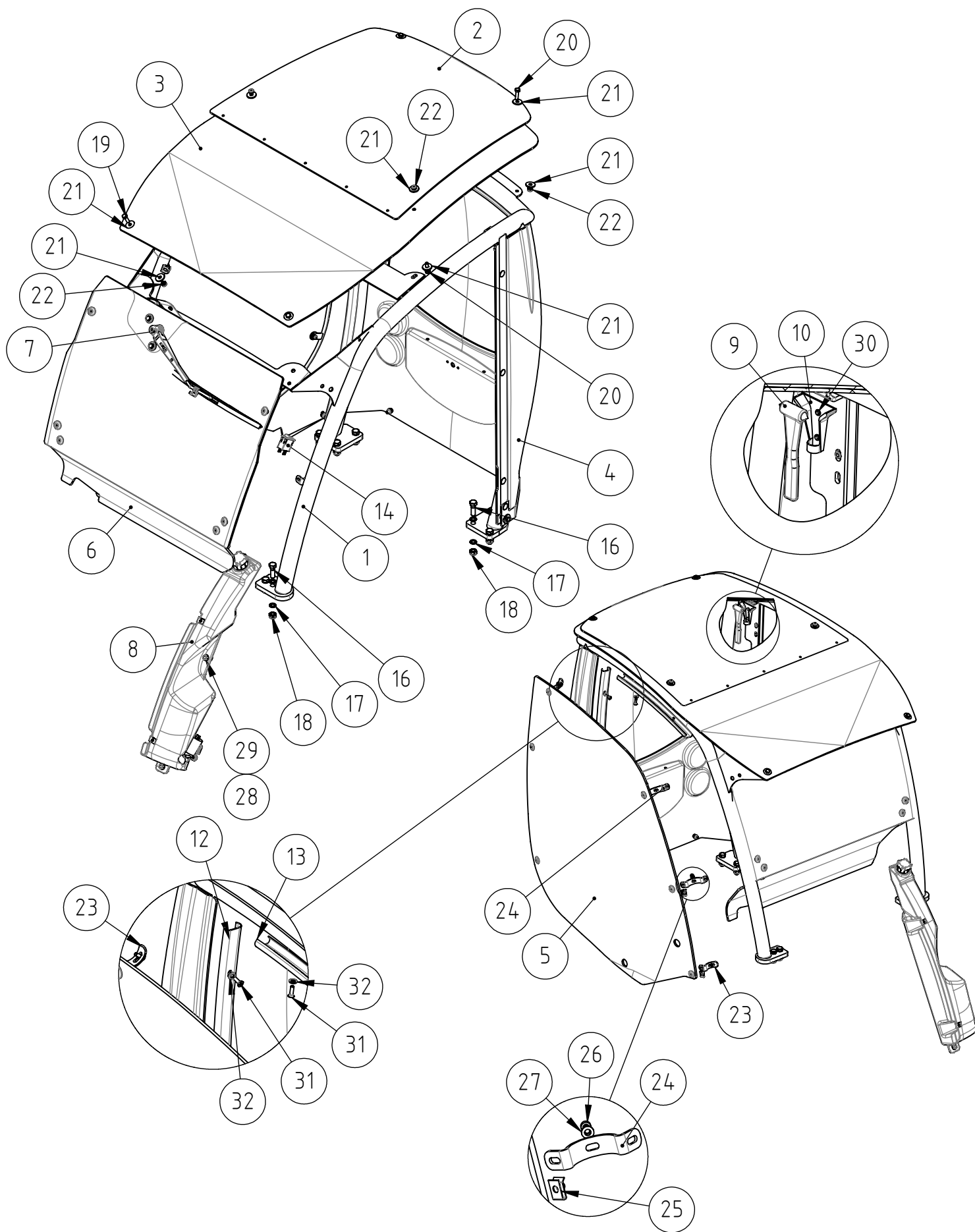
27.3.2024

**65671 HYDRAULIC MOTOR B MSE02 398CCM W. BRAKE**

REF	PART NO	QTY	DESCRIPTION	NOTES	PAGE
1	65671	1	HYDRAULIC MOTOR B MSE02 398CCM W. BRAKE		110
2	74866	1	WHEEL NUT M14*1.5 AV22 POCLAIN		-
3	75143	1	WHEEL BOLT M14*1.5-45 12.9 POCLAIN		-
4	A449527	1	HEXAGONAL HEAD SCREW M10*40 12.9 DIN 912		-
5	A452731	1	CONICAL ROLLER BEARING 31308-C1 POCLAIN		-
6	A452732	1	CONICAL ROLLER BEARING 33110-C1 POCLAIN		-
7	A448123	1	SEAL KIT COMPLETE POCLAIN HYDR. MOTOR		-
8	A448120	1	SEAL KIT POCLAIN REPAIR KIT HYDR. MOTOR		-
9	A448122	1	SEAL KIT POCLAIN OPENING KIT HYDR. MOTOR		-

27.3.2024

# A449937 CAB L





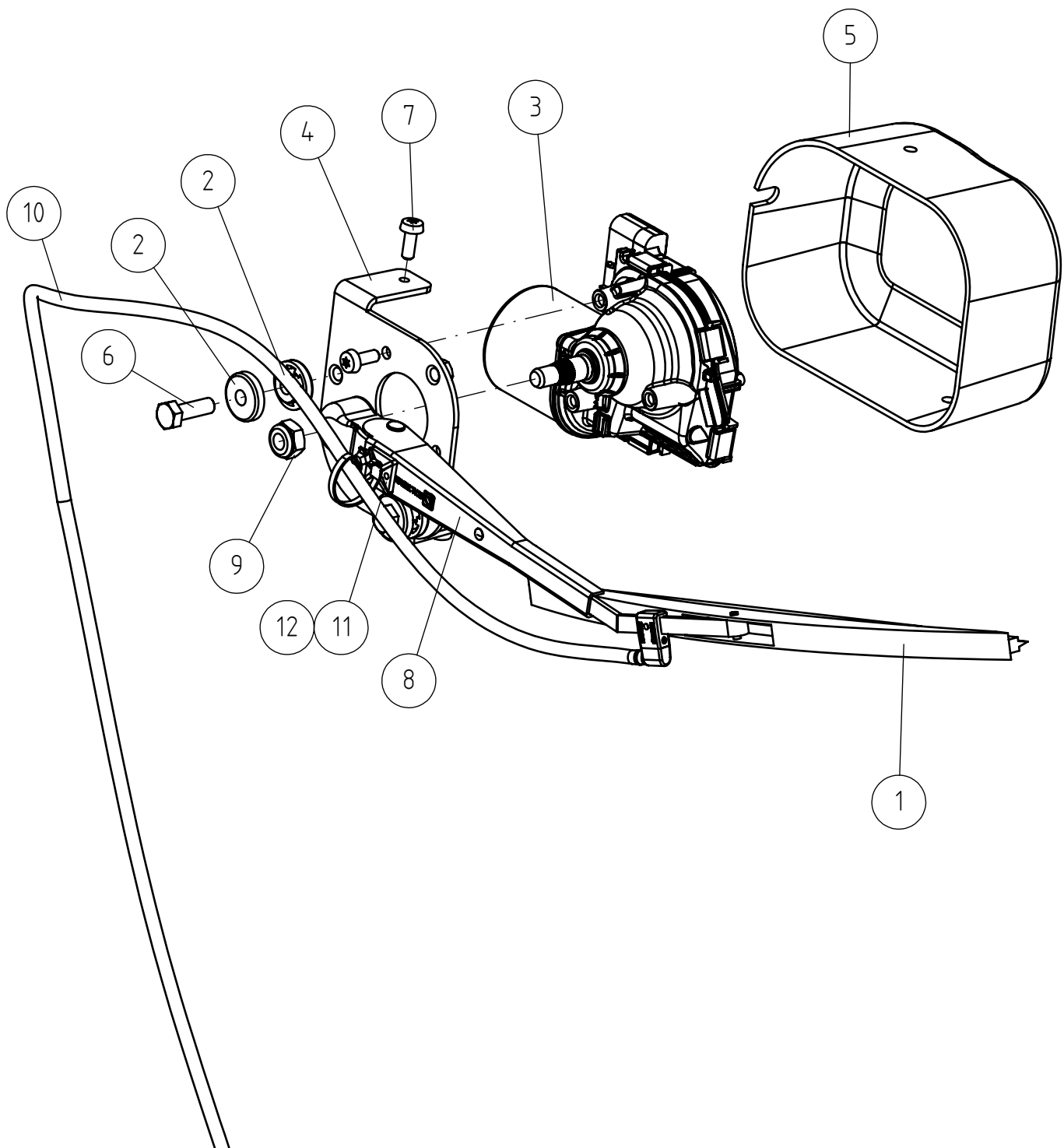
27.3.2024

**A449937 CAB L**

REF	PART NO	QTY	DESCRIPTION	NOTES	PAGE
1	A33920	1	ROPS FRAME 1090 MM 600/700 SERIES		-
2	A48905	1	FOPS CANOPY PLATE 500/600/700		-
3	A410091	1	CANOPY, POLYCARBONATE		-
4	A49446	1	REAR WALL WITH WINDOW 500/600/700/R/E		-
5	A49451	1	WINDOW, RIGHT, COMPLETE, CAB L 500-700		-
6	A443961	1	WINDSCREEN ASSEMBLY CAB L 500/600/700/E		-
7	A443979	1	WINDSCREEN WIPER ASSEMBLY CAB L 523-7601		114
8	A446010	1	TANK ASSEMBLY WINDSCREEN WASHER		116
9	64986	1	EMERGENCY HAMMER HAPPICH RED		-
10	A432729	1	BRACKET, EMERGENCY HAMMER 64986		-
11	A411021	1	DECAL "EMERGENCY EXIT"		-
12	A49080	1	COVER STRIP, SIDE		-
13	A49079	1	COVER STRIP, MIDDLE		-
14	65063	1	SWITCH, WIPER/WASHER		-
15	A441037	1	WIRE HARNESS CAB L AVANT 700-800		-
16	73322	10	HEXAGONAL SCREW M12*40 DIN 931		-
17	74532	20	WASHER NORDLOCK NL12		-
18	72324	10	HEXAGONAL NUT M 12 NYLOC DIN 985		-
19	72132	2	HEXAGONAL SCREW M 8*25 DIN 933 ZN		-
20	72133	4	HEXAGONAL SCREW M8*30 DIN 933		-
21	71685	12	WASHER M8 R9 DIN 440 ZN		-
22	72320	6	HEXAGONAL NUT M8 NYLOC DIN 985		-
23	A49699	4	MOUNTING BRACKET ONE SIDED		-
24	A49698	2	MOUNTING BRACKET TWO SIDED		-
25	75172	4	SPEED NUT M5 FOR 0.5-4.0 MM PLATE		-
26	73766	6	HEXAGONAL HEAD SCREW M6*16 DIN 912 2 8.8		-
27	71680	6	WASHER M6 DIN 125		-
28	A450046	2	HEXAGONAL NUT M8 WITH FLANGE		-
29	A429202	2	HEXAGONAL SERRATED SCREW M8*25 WITH FLAN		-
30	A429345	2	PAN HEAD MACHINE SCREW M4*10		-
31	74767	5	RAISED COUNTERSUNK HEAD SCREW M6*20		-
32	74768	5	WASHER CONICAL M6		-

27.3.2024

# A443979 WINDSCREEN WIPER ASSEMBLY CAB L 523-760I



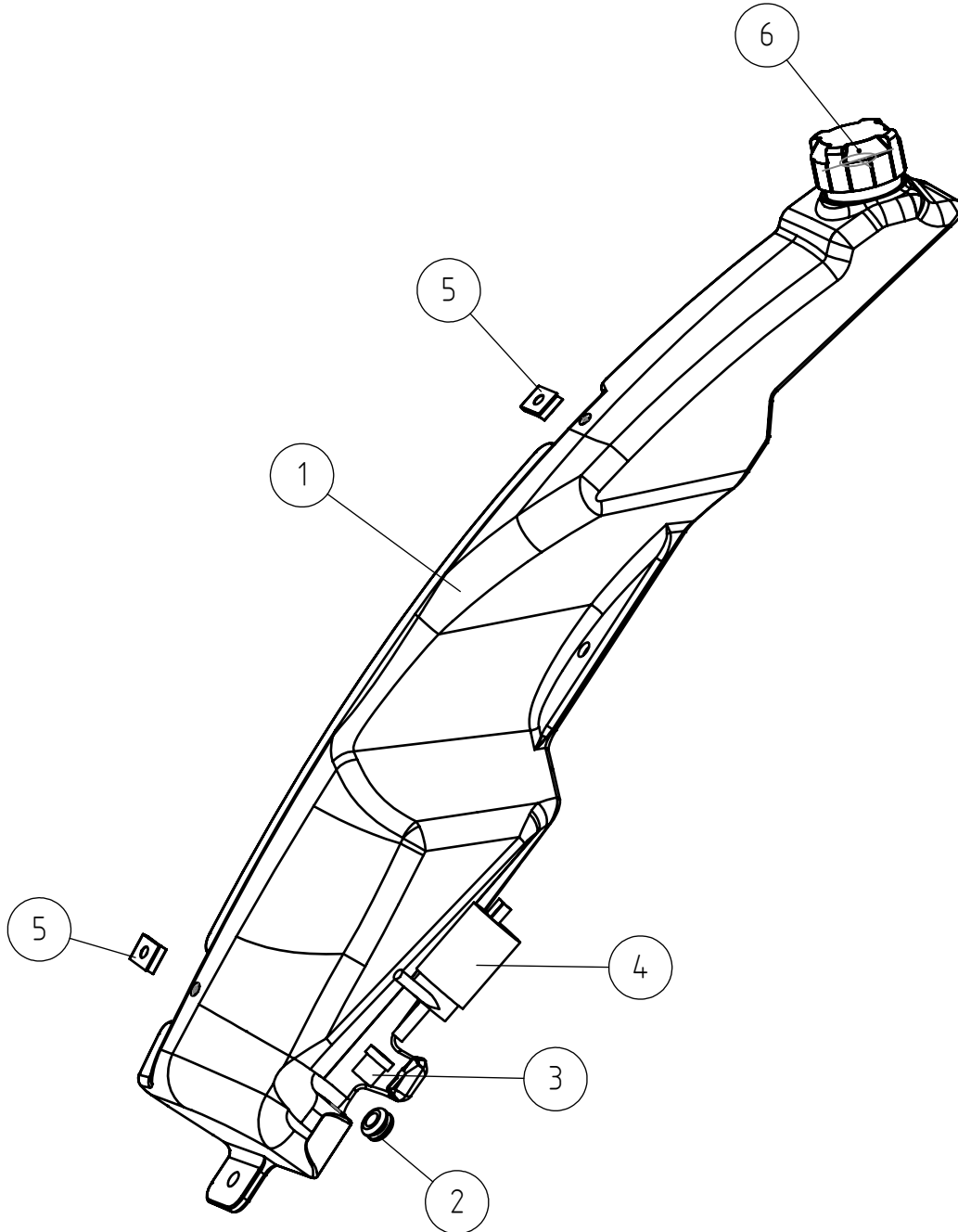
27.3.2024

**A443979 WINDSCREEN WIPER ASSEMBLY CAB L 523-760I**

REF	PART NO	QTY	DESCRIPTION	NOTES	PAGE
1	A440135	1	WIPER BLADE L=400MM		-
2	A441784	4	BUSHING PLASTIC D16,9/D8 - L8,1		-
3	A446829	1	ELECTRIC MOTOR PROGRAMMED WINDSCREEN		-
4	A440457	1	BRACKET MOTOR WINDSCREEN WIPER		-
5	A440716	1	COVER MOTOR WINDSCREEN WIPER		-
6	A427795	2	HEXAGONAL SCREW M8*25 DIN 933 8.8		-
7	A437544	4	THREAD-FORMING SCREW BLACK M6*16 DIN		-
8	A443799	1	ARM, WINDSCREEN WIPER M10 L=302 WITH		-
9	72322	1	HEXAGONAL NUT M 10 NYLOC DIN 985		-
10	A460684	1	HOSE WINDSCREEN WASHER CAB L		-
11	A455710	1	SOCKET ADHESIVE 19X19 CABLE TIE		-
12	A431459	1	CABLE TIE 3,6*281 BLACK		-

27.3.2024

# A446010 TANK ASSEMBLY WINDSCREEN WASHER



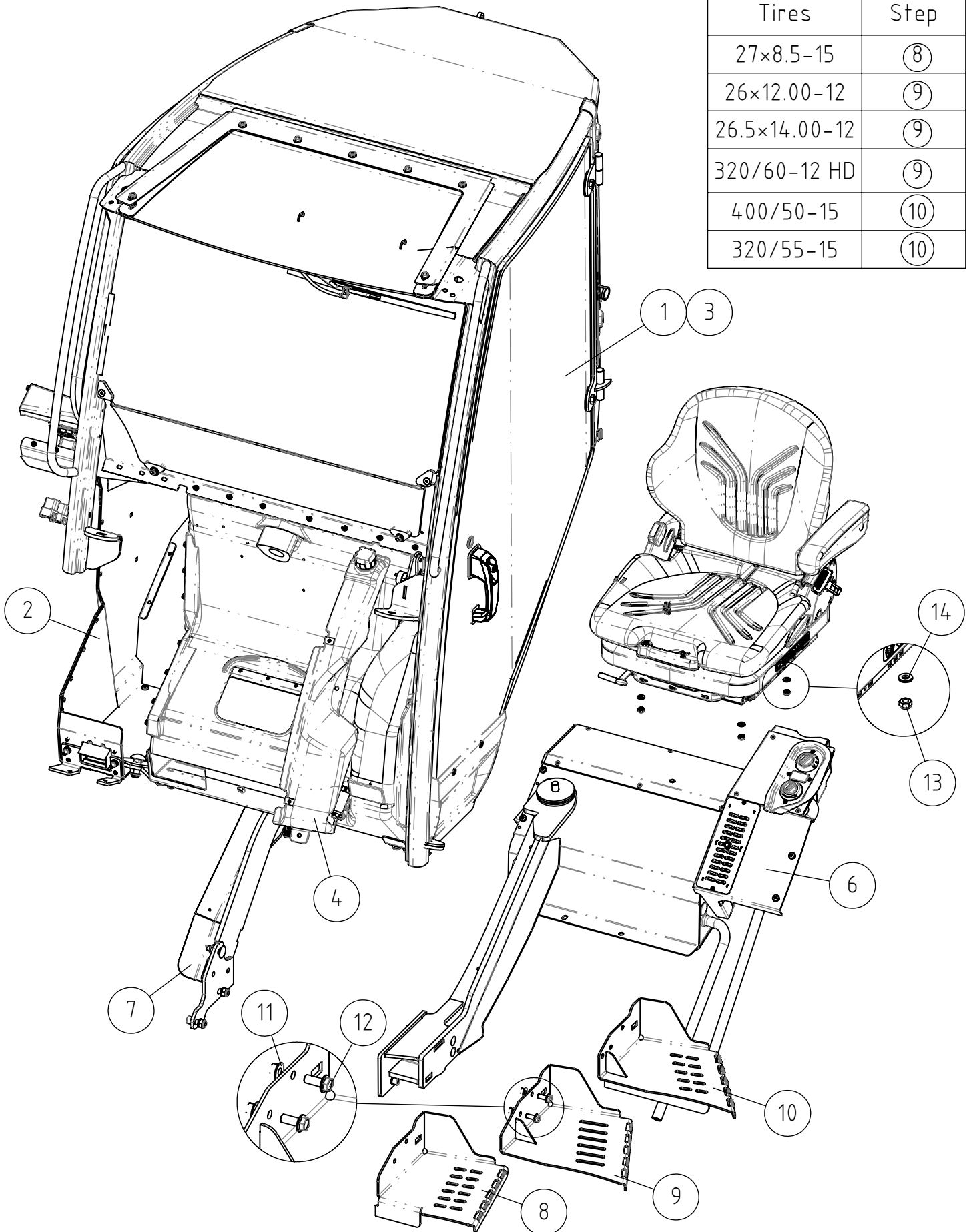
27.3.2024

**A446010 TANK ASSEMBLY WINDSCREEN WASHER**

REF	PART NO	QTY	DESCRIPTION	NOTES	PAGE
1	A450244	1	TANK WITH CAP WINDSCREEN WASHER		-
2	64865	1	GROMMET F18/12/9,51-3		-
3	64991	1	GROMMET F18/14/6, H14/H5 ,2012306		-
4	65017	1	PUMP 12V, WINDSCREEN WASHER		-
5	74807	2	SPEED NUT M6, FOR 0.5-4.0 MM PLATE		-
6	A436327	1	CAP, TANK WINDSCREEN WASHER 800 SERIES		-

# A444539 CAB GT, 700 SERIES

Tires	Step
27×8.5-15	⑧
26×12.00-12	⑨
26.5×14.00-12	⑨
320/60-12 HD	⑨
400/50-15	⑩
320/55-15	⑩



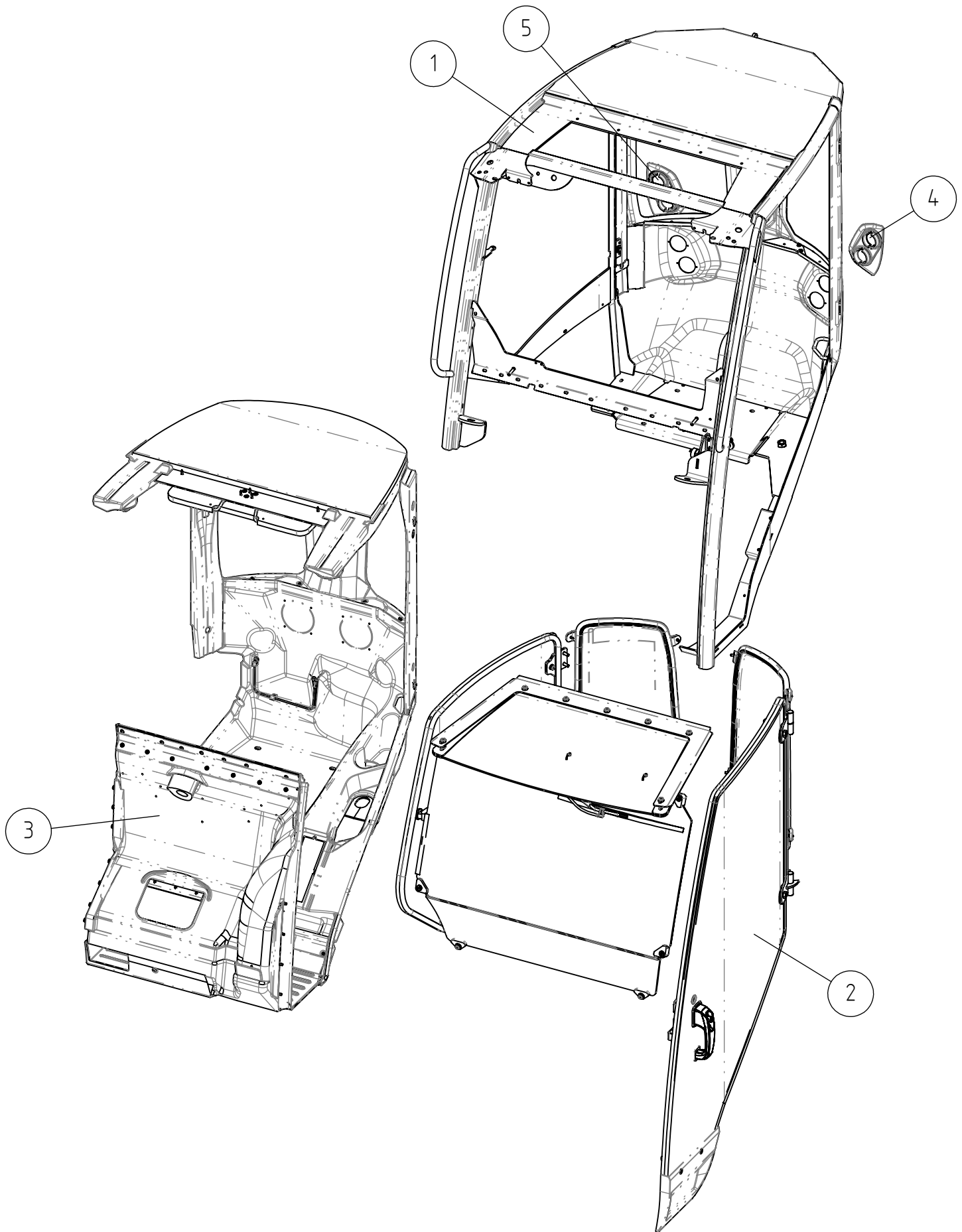
27.3.2024

**A444539 CAB GT, 700 SERIES**

REF	PART NO	QTY	DESCRIPTION	NOTES	PAGE
1	A453487	1	BASIC PARTS CAB GT		120
2	A448127	1	CONTROLS ASSEMBLY CAB GT		160
3	A445920	1	WIRE HARNESS CAB GT TWIN FANS A/C		-
4	A446010	1	TANK ASSEMBLY WINDSCREEN WASHER		116
5	A449724	1	SEAT FULL SUSPENSION FABRIC HEATER MSG65		166
6	A438246	1	HEATER ASSEMBLY CAB GT		168
7	A442729	1	SUBFRAME ASSEMBLY CAB GT 500-700 SERIES		170
8	A449935	1	STEP CAB GT 27X8.50-15 WHEELS		-
9	A451964	1			-
10	A451536	1	STEP CAB GT		-
11	A453082	2	HEXAGONAL NUT M10 DIN 6923		-
12	A432195	2	HEXAGONAL SERRATED SCREW M10*25 W. FLANG		-
13	72320	4	HEXAGONAL NUT M8 NYLOC DIN 985		-
14	63944	4	WASHER, PAIR, NORD-LOCK M8		-

27.3.2024

# A453487 BASIC PARTS CAB GT





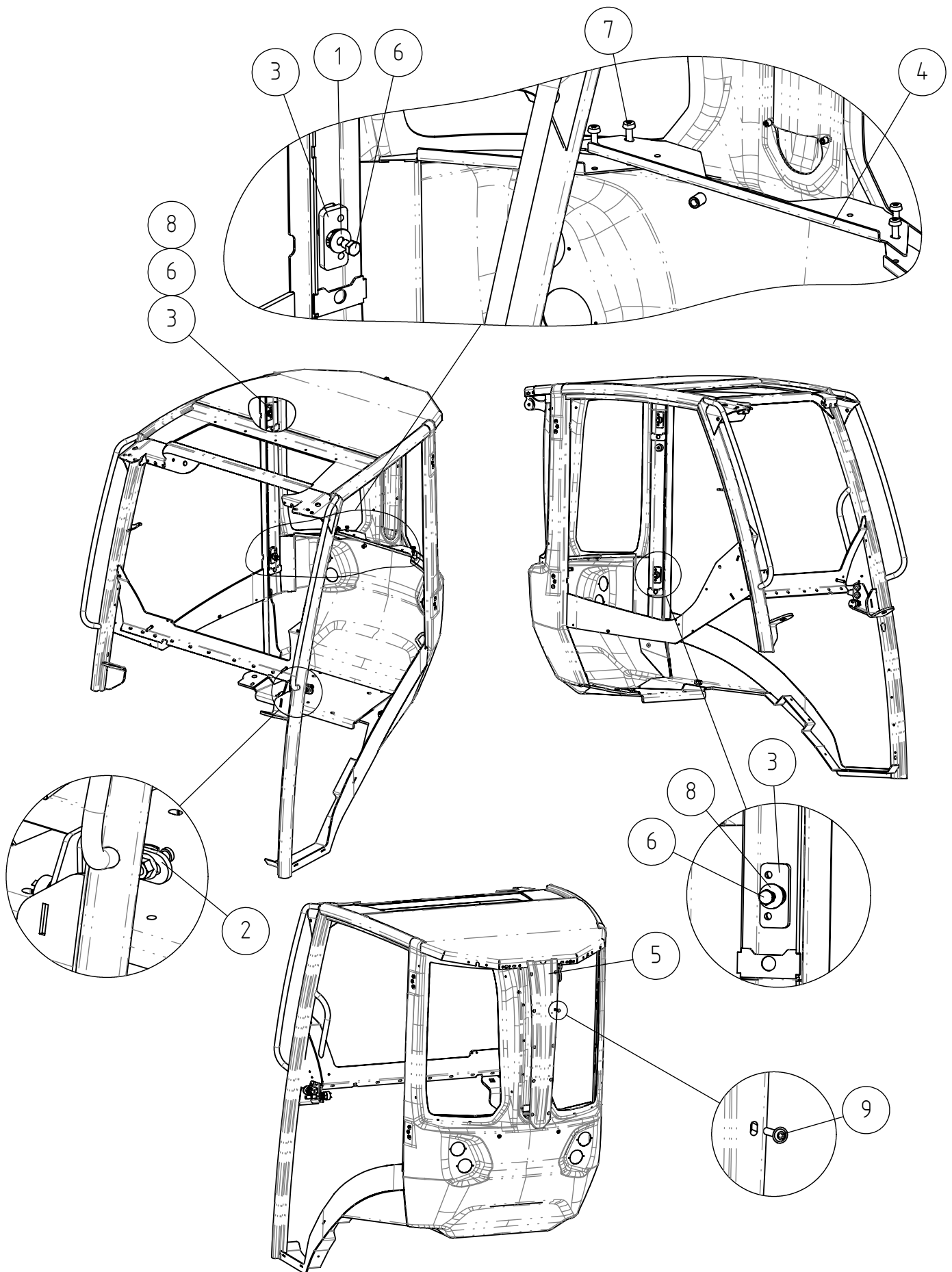
27.3.2024

**A453487 BASIC PARTS CAB GT**

REF	PART NO	QTY	DESCRIPTION	NOTES	PAGE
1	A448117	1	FRAME CAB GT		122
2	A453483	1	DOOR AND WINDOWS ASSEMBLY CAB GT		126
3	A453489	1	UPHOLSTERY ASSEMBLY CAB GT		140
4	A438151	1	FRAME LEFT REAR LIGHTS CAB GT		-
5	A438155	1	FRAME RIGHT REAR LIGHTS CAB GT		-

27.3.2024

# A448117 FRAME CAB GT



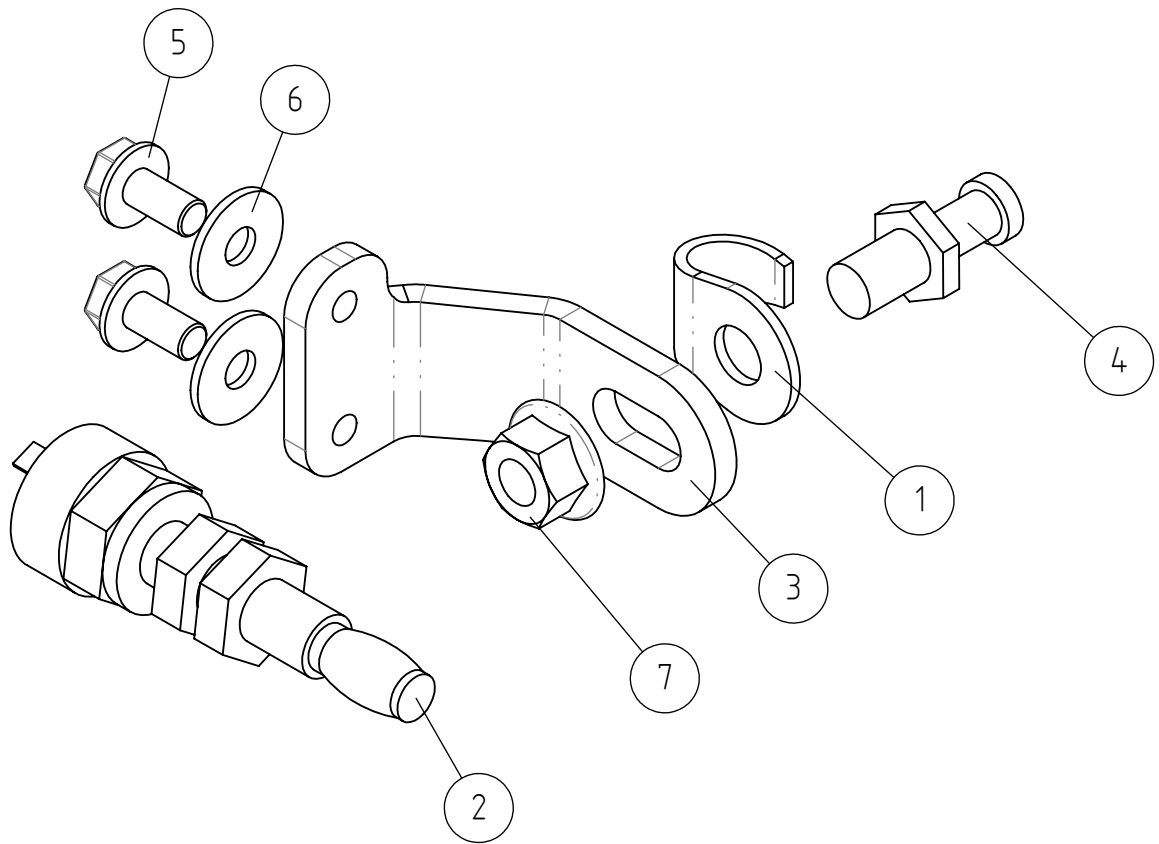
27.3.2024

**A448117 FRAME CAB GT**

REF	PART NO	QTY	DESCRIPTION	NOTES	PAGE
1	A448118	1	FRAME CAB GT		-
2	A438895	1	LATCH ASSEMBLY		124
3	A435904	4	SPACER PLATE DOOR CAB GT		-
4	A434179	1	MOUNTING BRACKET		-
5	A438890	1	COVER C-PILLAR ASSEMBLY CAB GT		-
6	72128	4	HEXAGONAL SCREW M 8*12 DIN 933 ZN		-
7	75129	4	THREAD-FORMING SCREW M6*16 DIN 7500C		-
8	A435941	4	WASHER M8 DIN 9021 Ø8,4/Ø24 -2 ZN		-
9	A465528	10	THREAD-FORMING SCREW M4*20 10.9 BLACK		-

27.3.2024

# A438895 LATCH ASSEMBLY



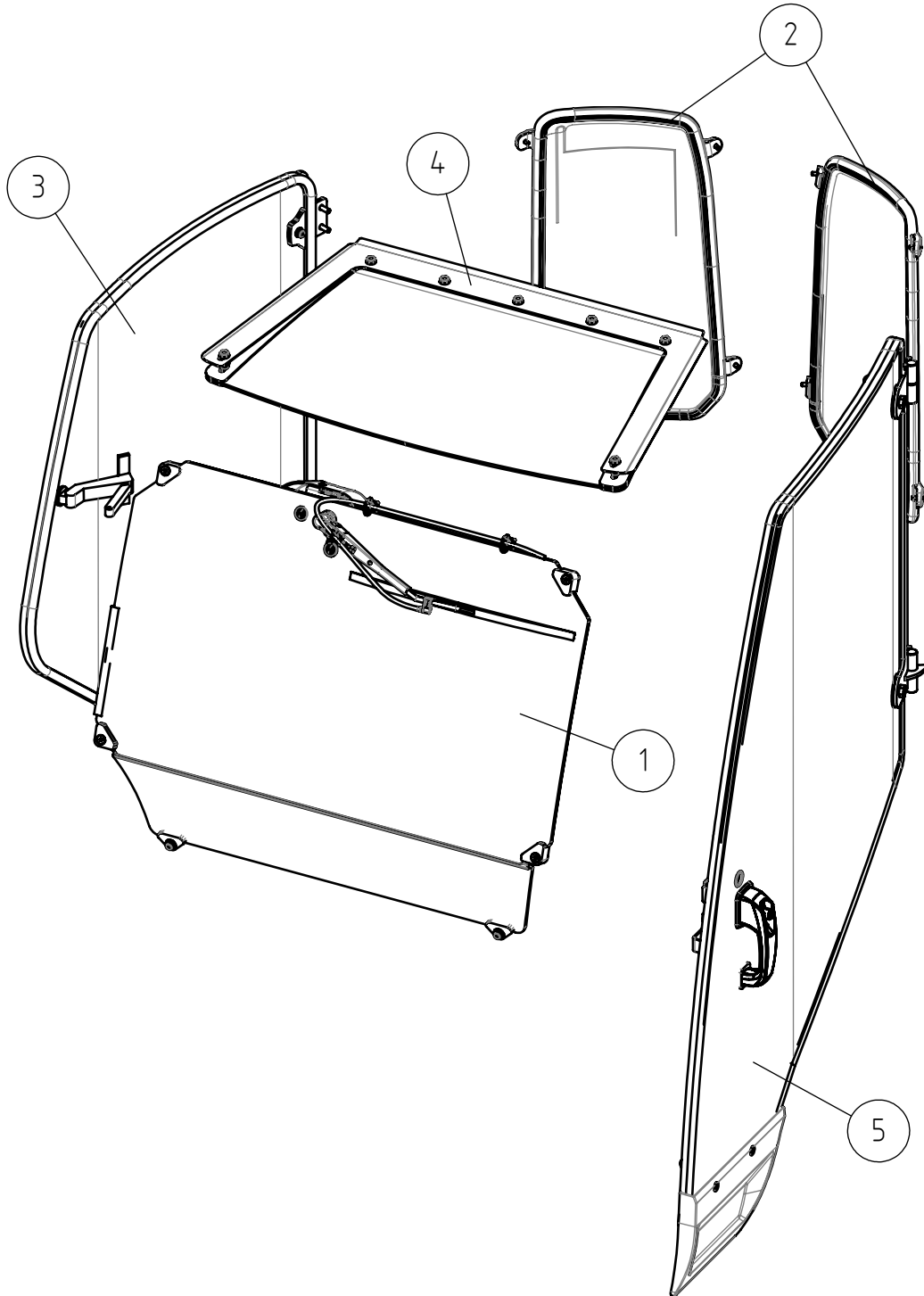
27.3.2024

**A438895 LATCH ASSEMBLY**

REF	PART NO	QTY	DESCRIPTION	NOTES	PAGE
1	64980	1	GUIDE PLATE, LOCK		-
2	65665	1	DOOR SWITCH, CAB		-
3	A434306	1	LATCH DOOR CAB GT		-
4	64979	1	PIN, DOOR LOCK		-
5	A429200	2	HEXAGONAL SERRATED SCREW M8*16 WITH		-
6	A435941	2	WASHER M8 DIN 9021 Ø8,4/Ø24 -2 ZN		-
7	A450048	1	HEXAGONAL NUT M12 WITH FLANGE		-

27.3.2024

# A453483 DOOR AND WINDOWS ASSEMBLY CAB GT



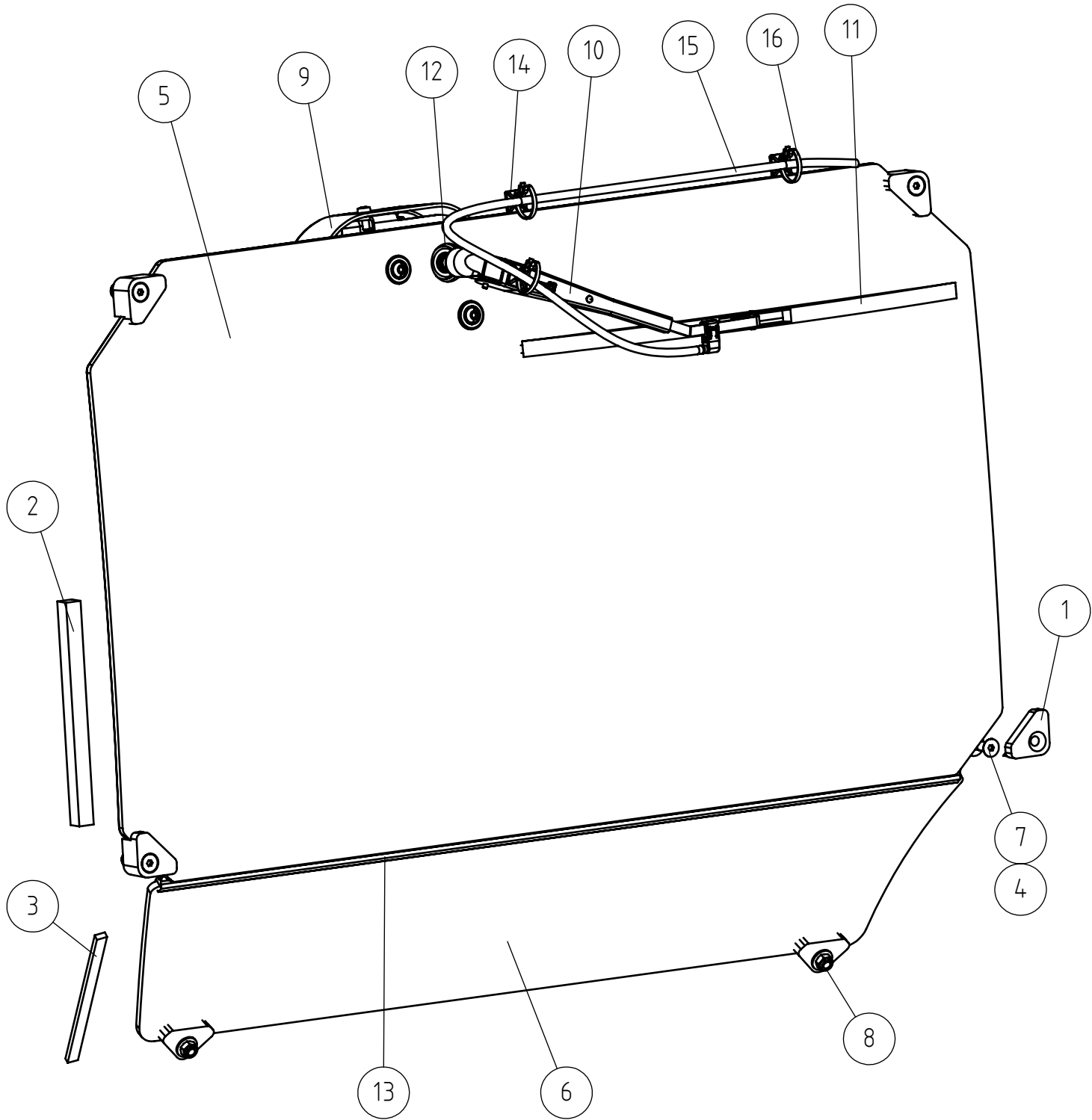
27.3.2024

**A453483 DOOR AND WINDOWS ASSEMBLY CAB GT**

REF	PART NO	QTY	DESCRIPTION	NOTES	PAGE
1	A445896	1	WINDSCREEN ASSEMBLY CAB GT		128
2	A436771	1	REAR WINDOWS CAB GT		132
2.1	A434932	1	REAR WINDOW LEFT CAB GT		-
2.2	A434114	1	REAR WINDOW RIGHT CAB GT		-
2.3	A435250	4	BRACKET OUTSIDE REAR WINDOW CAB GT		-
2.4	A435251	4	BRACKET INSIDE REAR WINDOW CAB GT		-
2.5	A436768	2	SEAL REAR WINDOW CAB GT		-
3	A434952	1	WINDOW RIGHT ASSEMBLY CAB GT		134
4	A436900	1	SUNROOF ASSEMBLY CAB GT		136
4.1	A434638	1	SUNROOF PLATE CAB GT		-
4.2	A436903	1	SEAL SUNROOF CAB GT		-
5	A434950	1	DOOR ASSEMBLY CAB GT		138

27.3.2024

# A445896 WINDSCREEN ASSEMBLY CAB GT





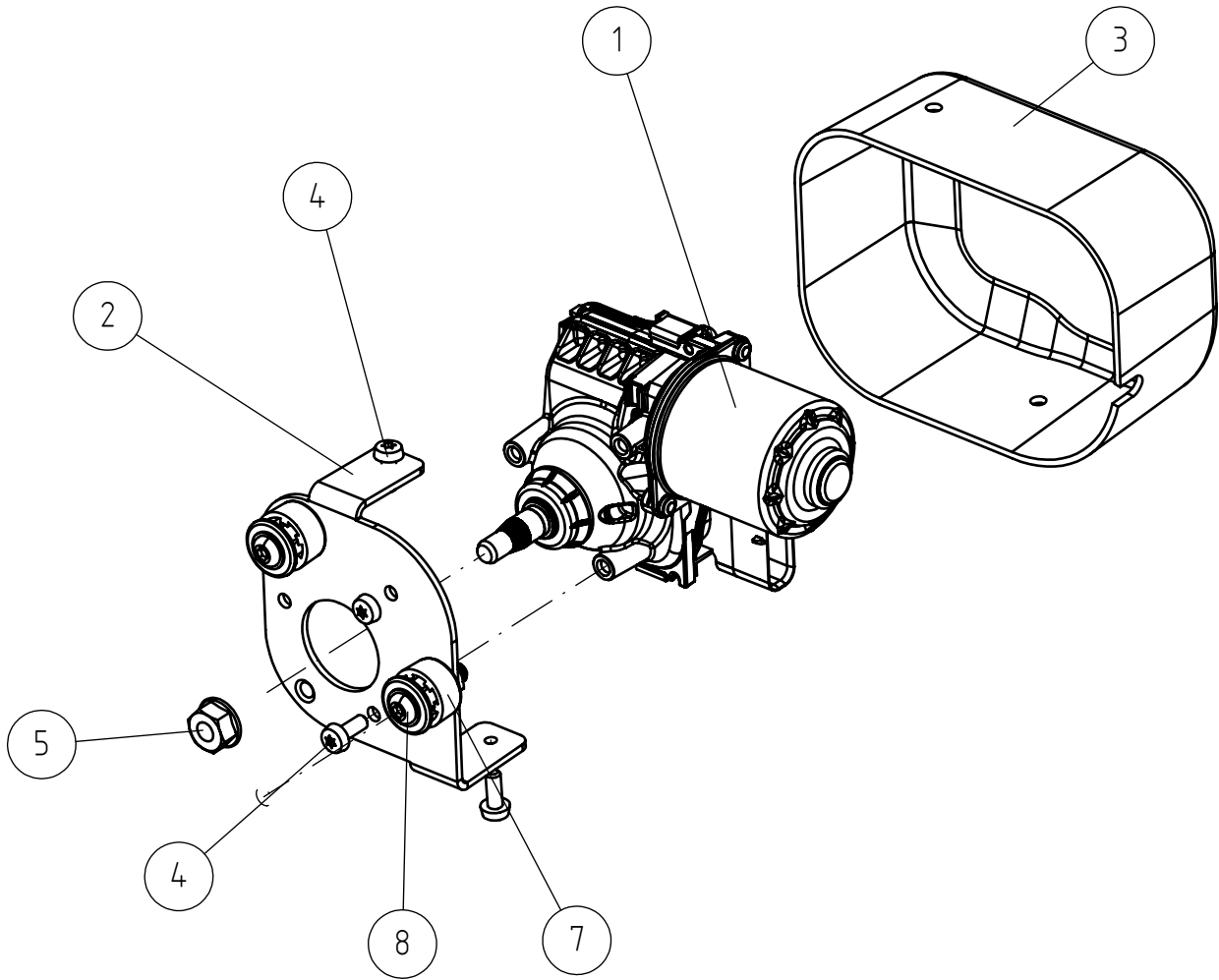
27.3.2024

**A445896 WINDSCREEN ASSEMBLY CAB GT**

REF	PART NO	QTY	DESCRIPTION	NOTES	PAGE
1	A412362	6	BRACKET, WINDSCREEN		-
2	A413839	1	WEATHER STRIP, WINDSCREEN, CAB		-
3	A413848	1	WEATHER STRIP, WINDSCREEN SMALL, CAB DLX		-
4	74525	6	WASHER M8 8,4*20*1,25 ZN		-
5	A445897	1	WINDSCREEN CAB 500-700 SERIES		-
6	A434100	1	WINDSCREEN, LOWER, SMALL, CAB GT		-
7	75039	4	HEXAG. COUNTERSUNK HEAD SCREW M8*40		-
8	72320	6	HEXAGONAL NUT M8 NYLOC DIN 985		-
9	A449928	1	WINDSCREEN WIPER ASSEMBLY CAB GT		130
10	A443799	1	ARM, WINDSCREEN WIPER M10 L=302 WITH		-
11	65170	1	WIPER BLADE DOGA		-
12	A445904	1	SEAL MOTOR WINDSCREEN WIPER		-
13	A452085	1	WEATHER STRIP BETWEEN WINDSCREENS CAB GT		-
14	A455710	3	SOCKET ADHESIVE 19X19 CABLE TIE		-
15	A456336	1	HOSE WINDSCREEN WASHER CAB GT		-
16	A431459	3	CABLE TIE 3,6*281 BLACK		-

27.3.2024

# A449928 WINDSCREEN WIPER ASSEMBLY CAB GT



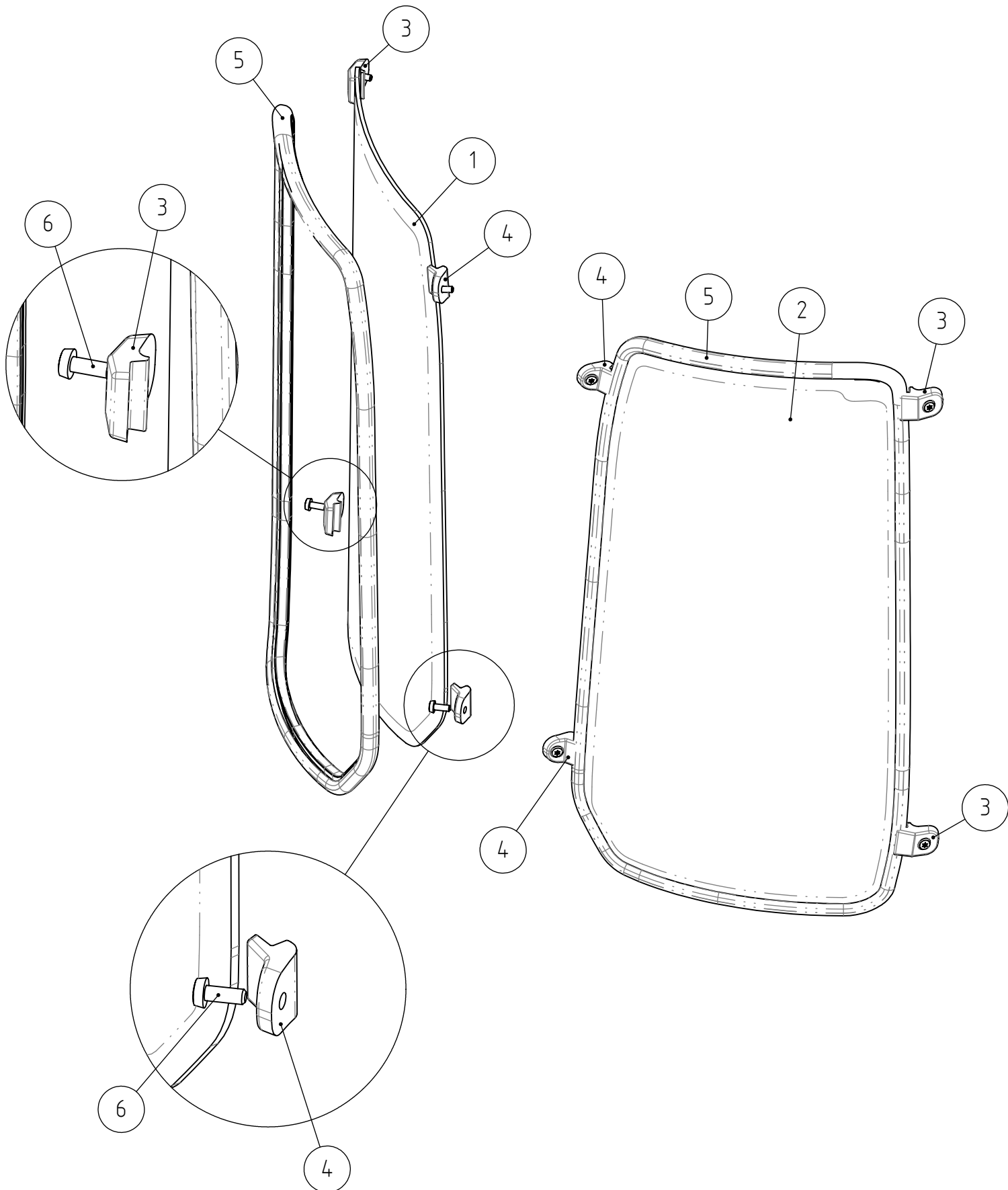
27.3.2024

**A449928 WINDSCREEN WIPER ASSEMBLY CAB GT**

REF	PART NO	QTY	DESCRIPTION	NOTES	PAGE
1	A444058	1	ELECTRIC MOTOR PROGRAMMED WINDSCREEN		-
2	A440457	1	BRACKET MOTOR WINDSCREEN WIPER		-
3	A440716	1	COVER MOTOR WINDSCREEN WIPER		-
4	A437544	4	THREAD-FORMING SCREW BLACK M6*16 DIN		-
5	74783	1	HEXAGONAL NUT M10 WITH FLANGE		-
6	A446546	2	BUSHING PLASTIC D16,9/D8 - L5,4		-
7	A446547	2	BUSHING PLASTIC D16,9/D8 - L15,3		-
8	A449933	2	HEXAGONAL HEAD SCREW M8*35 10.9		-

27.3.2024

# A436771 REAR WINDOWS CAB GT



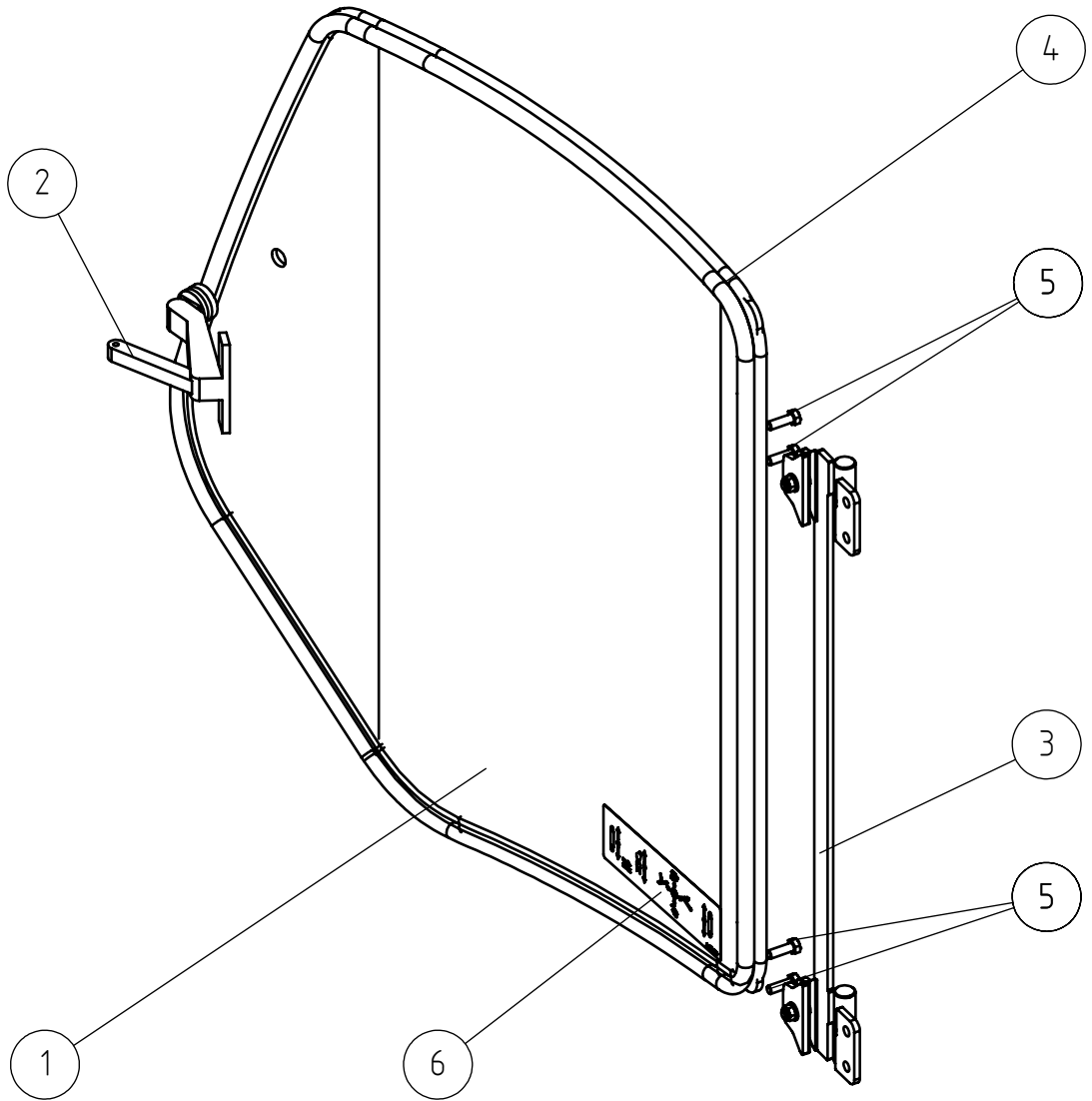
27.3.2024

**A436771 REAR WINDOWS CAB GT**

REF	PART NO	QTY	DESCRIPTION	NOTES	PAGE
1	A434932	1	REAR WINDOW LEFT CAB GT		-
2	A434114	1	REAR WINDOW RIGHT CAB GT		-
3	A435250	4	BRACKET OUTSIDE REAR WINDOW CAB GT		-
4	A435251	4	BRACKET INSIDE REAR WINDOW CAB GT		-
5	A436768	2	SEAL REAR WINDOW CAB GT		-
6	75129	8	THREAD-FORMING SCREW M6*16 DIN 7500C		-
-	A434932	1	REAR WINDOW LEFT CAB GT		-
-	A434114	1	REAR WINDOW RIGHT CAB GT		-
-	A435250	4	BRACKET OUTSIDE REAR WINDOW CAB GT		-
-	A435251	4	BRACKET INSIDE REAR WINDOW CAB GT		-
-	A436768	2	SEAL REAR WINDOW CAB GT		-

27.3.2024

# A434952 WINDOW RIGHT ASSEMBLY CAB GT



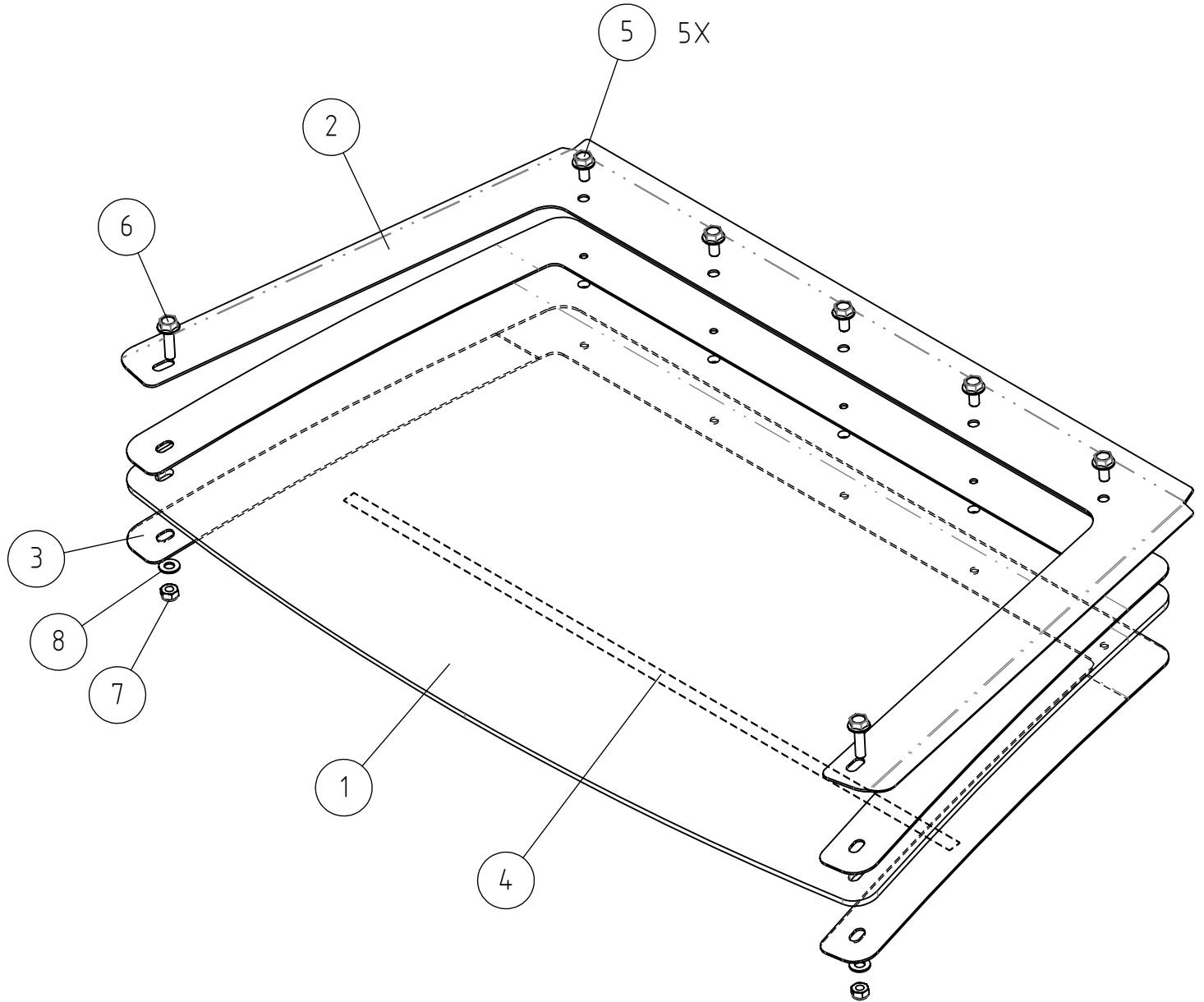
27.3.2024

**A434952 WINDOW RIGHT ASSEMBLY CAB GT**

REF	PART NO	QTY	DESCRIPTION	NOTES	PAGE
1	A411820	1	WINDOW, RIGHT, CAB DLX & GT		-
2	64983	1	HANDLE, WINDOW RIGHT, CAB 600 SERIES		-
2.1	66026	1	RELEASE PIN, OPENING MECHANISM WINDOW		-
3	A434953	1	BRACKET ASSEMBLY SIDE WINDOW CAB		-
4	A413843	1	WEATHER STRIP, SIDE WINDOW, CAB DLX		-
5	72132	4	HEXAGONAL SCREW M 8*25 DIN 933 ZN		-
6	A441320	1	DECAL CONTROLS CAB GT RIGHT WINDOW		-

27.3.2024

# A436900 SUNROOF ASSEMBLY CAB GT



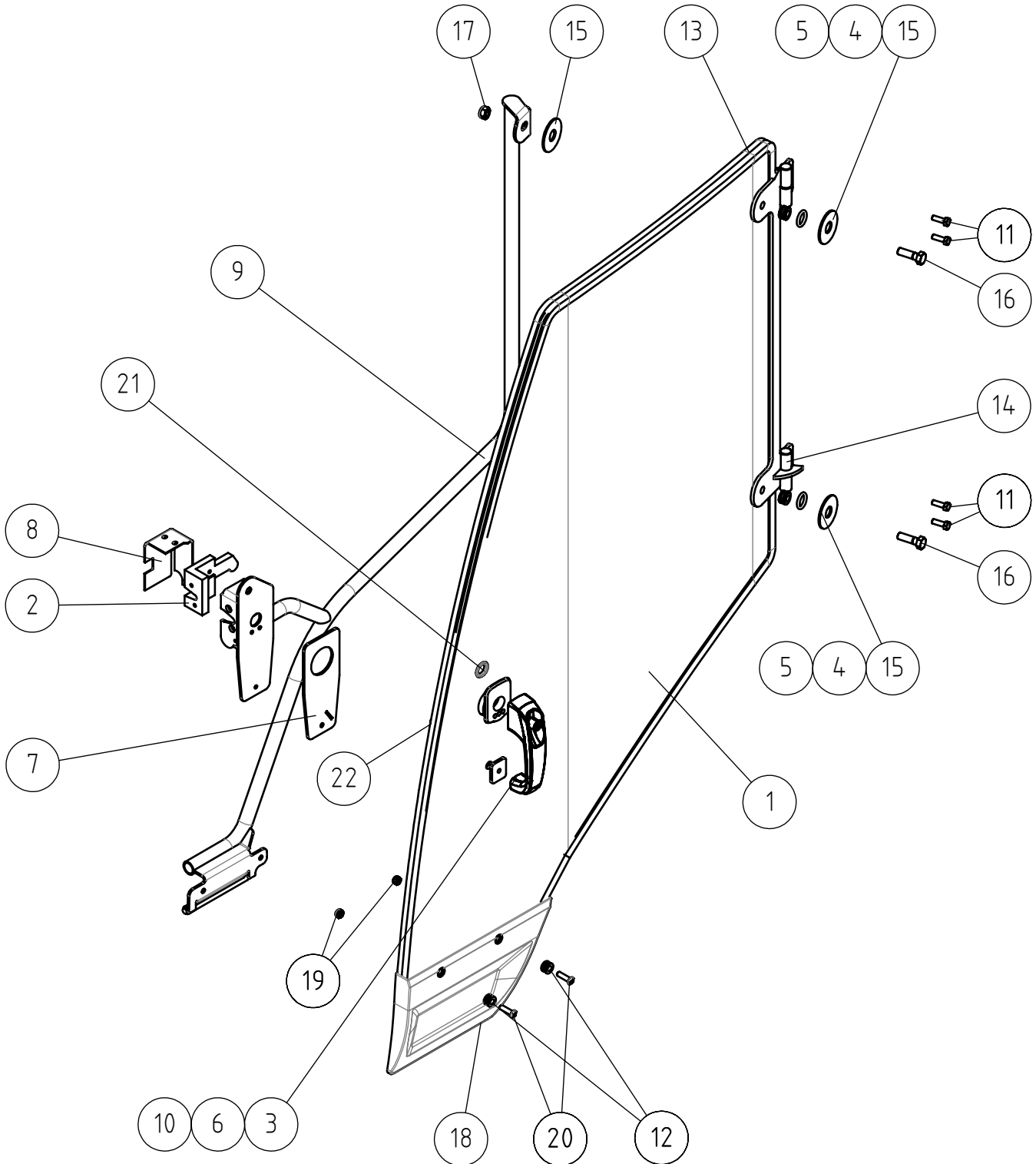


27.3.2024

**A436900 SUNROOF ASSEMBLY CAB GT**

REF	PART NO	QTY	DESCRIPTION	NOTES	PAGE
1	A434638	1	SUNROOF PLATE CAB GT		-
2	A434637	1	FRAME SUNROOF PLATE CAB GT		-
3	A436903	2	SEAL SUNROOF CAB GT		-
4	A436908	1	TAPE ACRYLIC TWO-SIDED		-
5	A429200	5	HEXAGONAL SERRATED SCREW M8*16 WITH		-
6	A429203	2	HEXAGONAL SERRATED SCREW M8*30 WITH		-
7	72320	2	HEXAGONAL NUT M8 NYLOC DIN 985		-
8	73122	2	WASHER M8 A8,4 DIN 125 ZN		-
-	A434638	1	SUNROOF PLATE CAB GT		-
-	A436903	1	SEAL SUNROOF CAB GT		-

# A434950 DOOR ASSEMBLY CAB GT



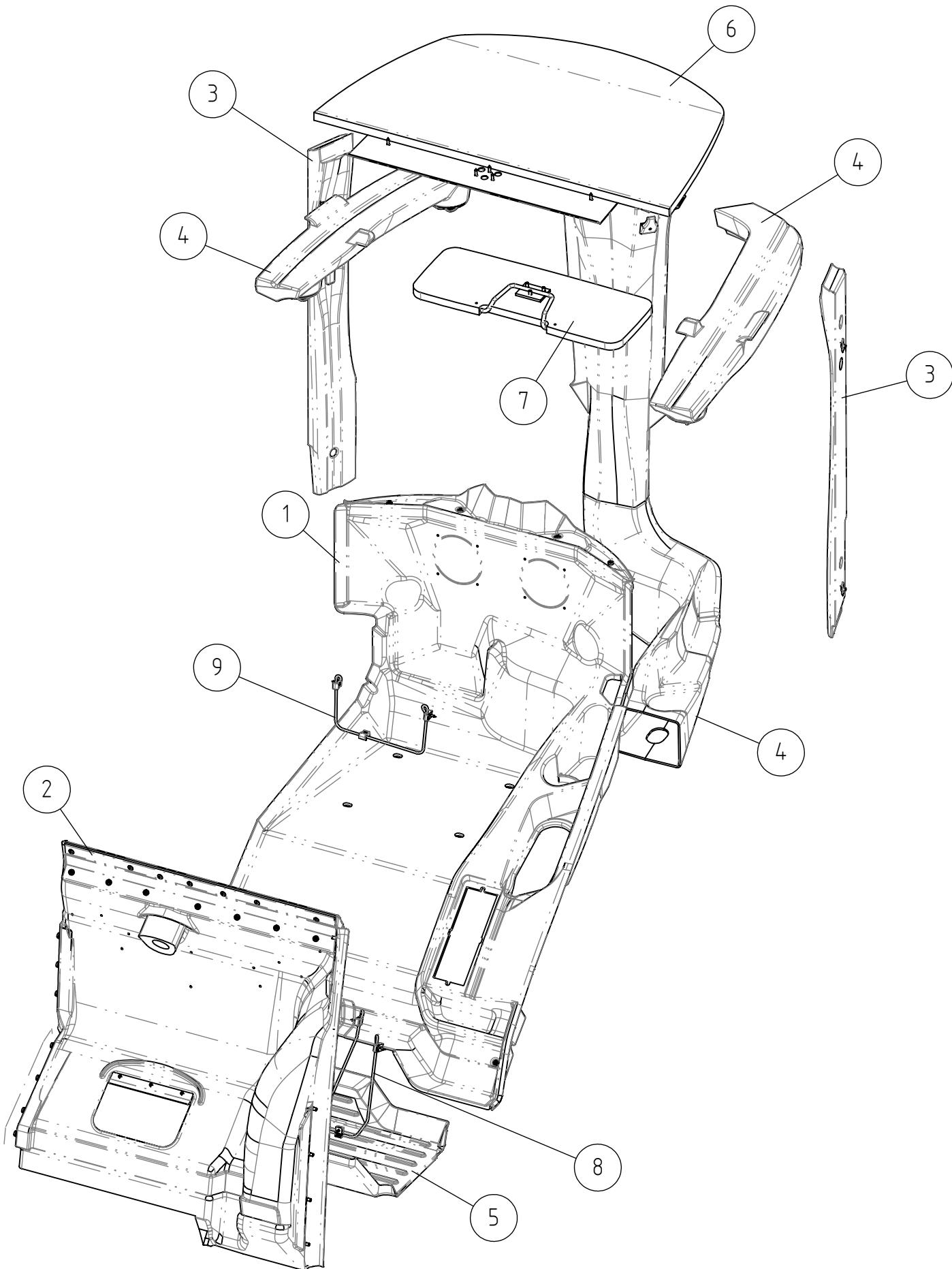
27.3.2024

**A434950 DOOR ASSEMBLY CAB GT**

REF	PART NO	QTY	DESCRIPTION	NOTES	PAGE
1	A411823	1	DOOR PLATE, SAFETY GLASS, CAB DLX & GT		-
2	64981	1	LOCK BODY		-
3	65025	1	HANDLE, DOOR, CAB		-
4	74856	2	O-RING NBR F 20,0 * 5,0 70SH		-
5	A412329	2	BUSHING		-
6	65026	1	SUBPLATE, DOOR HANDLE 20325-01		-
7	A47957	1	PLATE		-
8	A412344	1	COVER PLATE		-
9	A34859	1	FRAME, DOOR, CAB DLX & GT		-
10	65027	1	SUBPLATE, DOOR HANDLE		-
11	72132	4	HEXAGONAL SCREW M 8*25 DIN 933 ZN		-
12	64985	2	GROMMET F19/13/10,S=5H=11		-
13	A435077	1	WEATHER STRIP DOOR CAB GT		-
14	A434951	1	HINGE LOWER, DOOR CAB GT		-
15	A412327	4	RUBBER WASHER		-
16	73322	2	HEXAGONAL SCREW M12*40 DIN 931		-
17	72324	2	HEXAGONAL NUT M 12 NYLOC DIN 985		-
18	A435102	1	RUBBER PLATE, LOWER, DOOR CAB GT		-
19	72320	2	HEXAGONAL NUT M8 NYLOC DIN 985		-
20	A439829	2	HEXAGONAL HEAD SCREW M8*30 10.9 2		-
21	A440993	1	RUBBER PLUG D29/D25,8 H12 60SH		-
22	A453884	1	BRACKET		-

27.3.2024

# A453489 UPHOLSTERY ASSEMBLY CAB GT



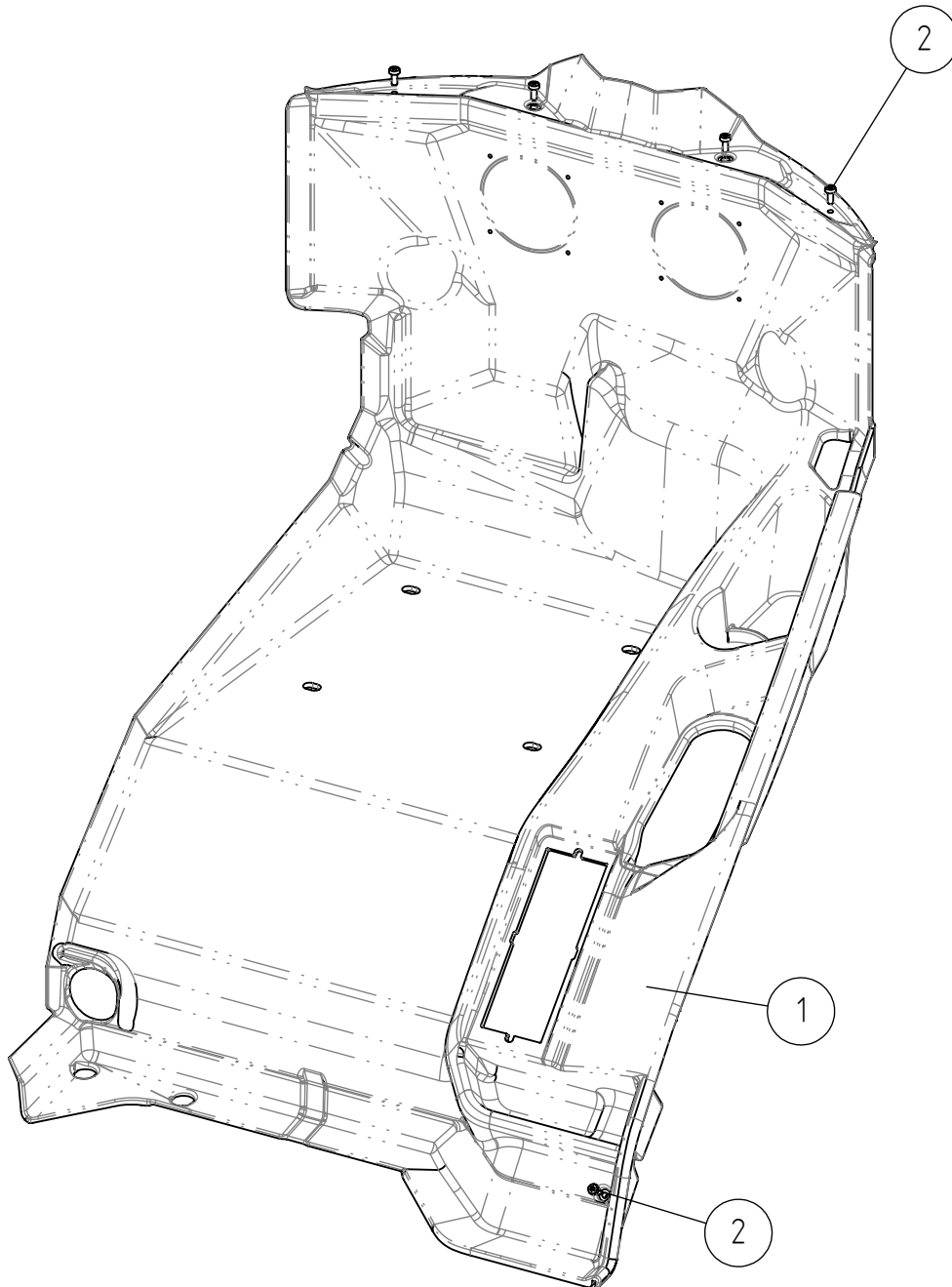
27.3.2024

**A453489 UPHOLSTERY ASSEMBLY CAB GT**

REF	PART NO	QTY	DESCRIPTION	NOTES	PAGE
1	A434208	1	FLOOR MAT ASSEMBLY CAB GT		142
2	A436615	1	HEAT SHIELD ASSEMBLY CAB GT		144
3	A436754	1	UPHOLSTERY PANELS B-PILLARS CAB GT		146
4	A436635	1	AIR DUCTS ASSEMBLY CAB GT		148
5	A434410	1	SERVICE HATCH ASSEMBLY CAB GT		150
6	A438892	1	UPHOLSTERY ASSEMBLY CEILING CAB GT		152
7	A438887	1	SUN VISOR ASSEMBLY CAB GT		154
8	A438452	1	NET POCKET ASSEMBLY CAB GT		156
9	A438443	1	NET POCKET REAR ASSEMBLY CAB GT		158

27.3.2024

# A434208 FLOOR MAT ASSEMBLY CAB GT



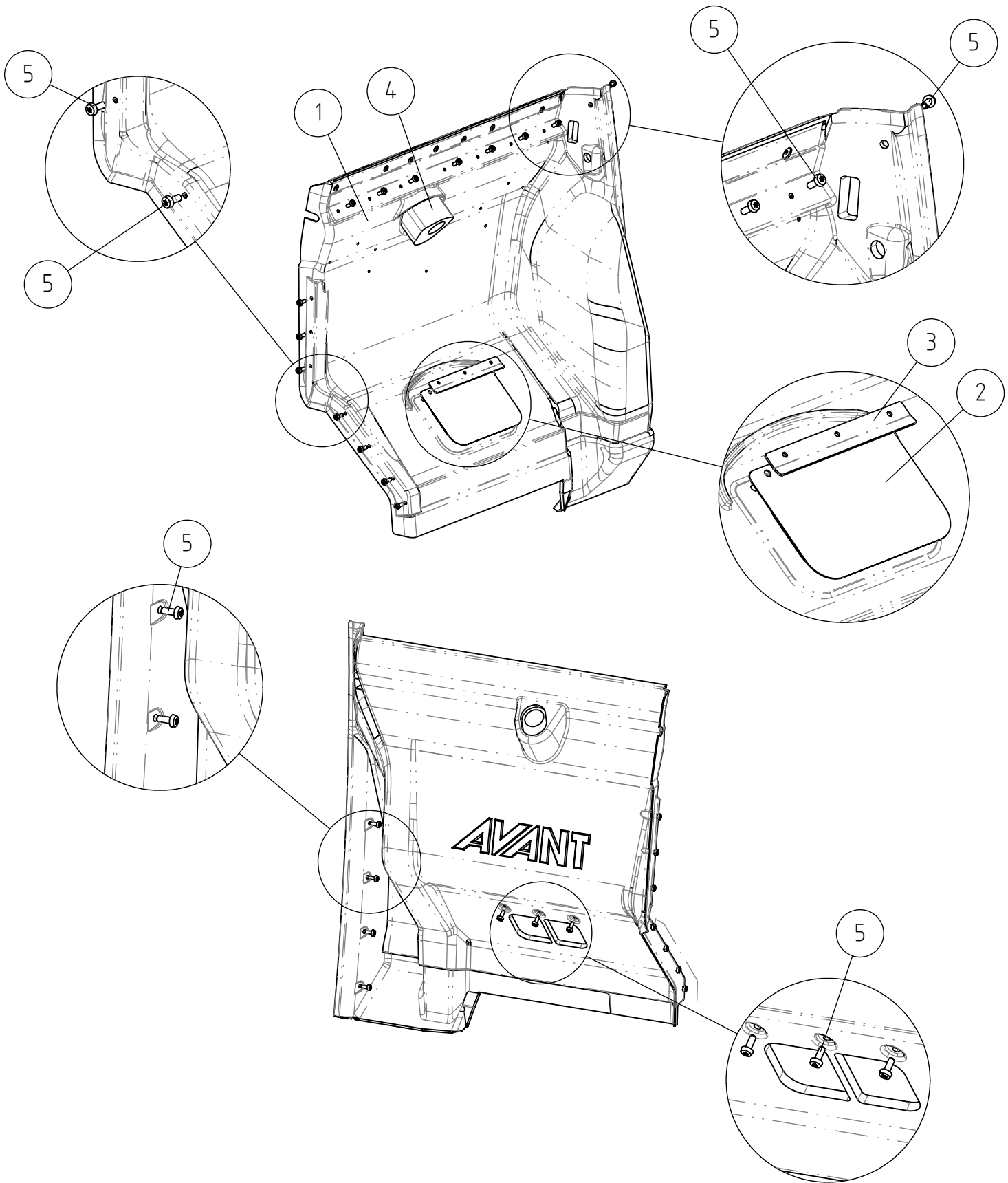
27.3.2024

**A434208 FLOOR MAT ASSEMBLY CAB GT**

REF	PART NO	QTY	DESCRIPTION	NOTES	PAGE
1	A434207	1	COVER PANEL FLOOR ASSEMBLY CAB GT		-
2	75129	5	THREAD-FORMING SCREW M6*16 DIN 7500C		-

27.3.2024

# A436615 HEAT SHIELD ASSEMBLY CAB GT





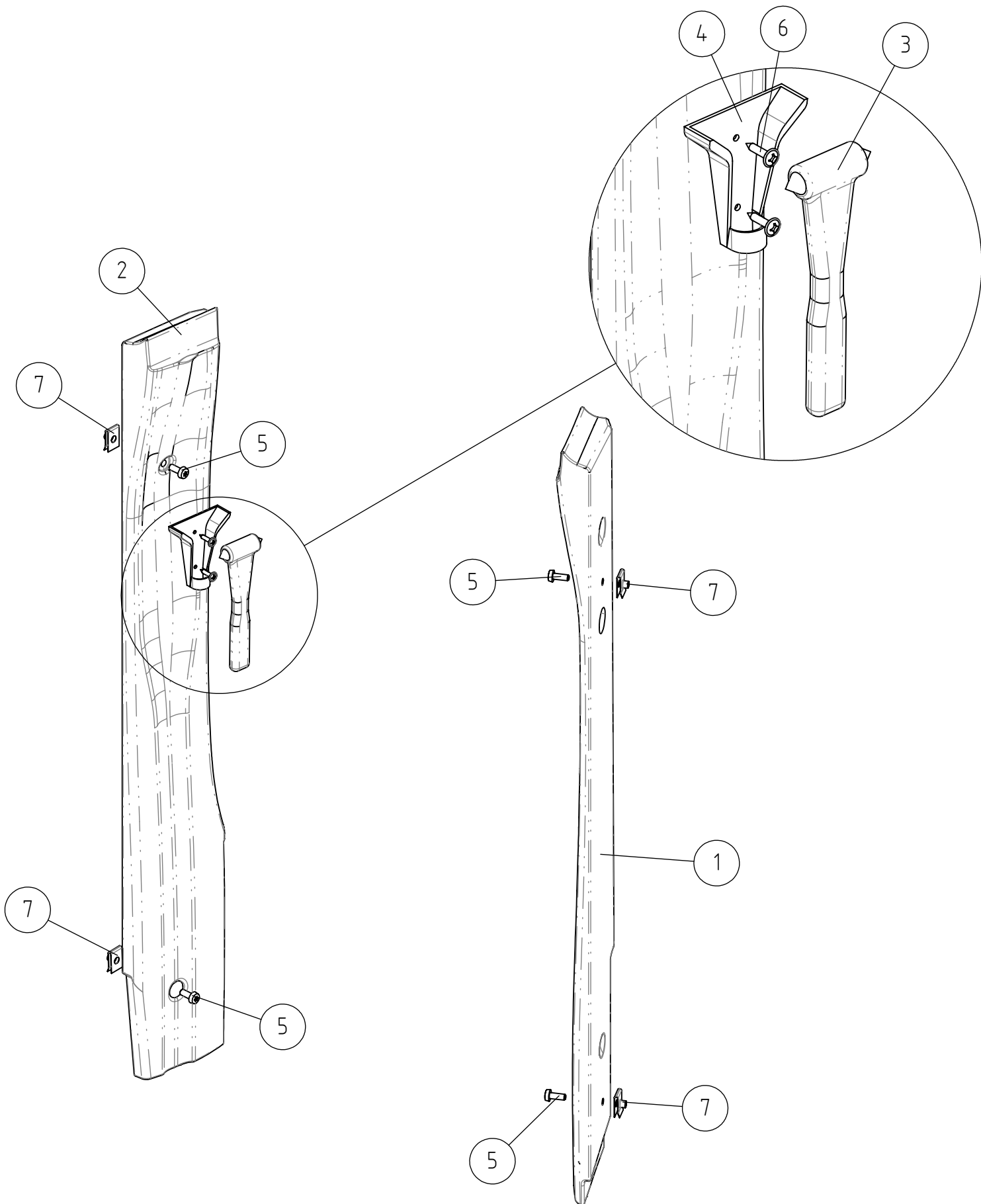
27.3.2024

**A436615 HEAT SHIELD ASSEMBLY CAB GT**

REF	PART NO	QTY	DESCRIPTION	NOTES	PAGE
1	A434678	1	HEAT SHIELD CAB GT		-
2	A436879	1	RUBBER PLATE DOOR CAB GT		-
3	A436880	1	MOUNTING BRACKET RUBBER PLATE DOOR CAB		-
4	A439956	1	RUBBER BUSHING STEERING COLUMN		-
5	75129	22	THREAD-FORMING SCREW M6*16 DIN 7500C		-

27.3.2024

# A436754 UPHOLSTERY PANELS B-PILLARS CAB GT



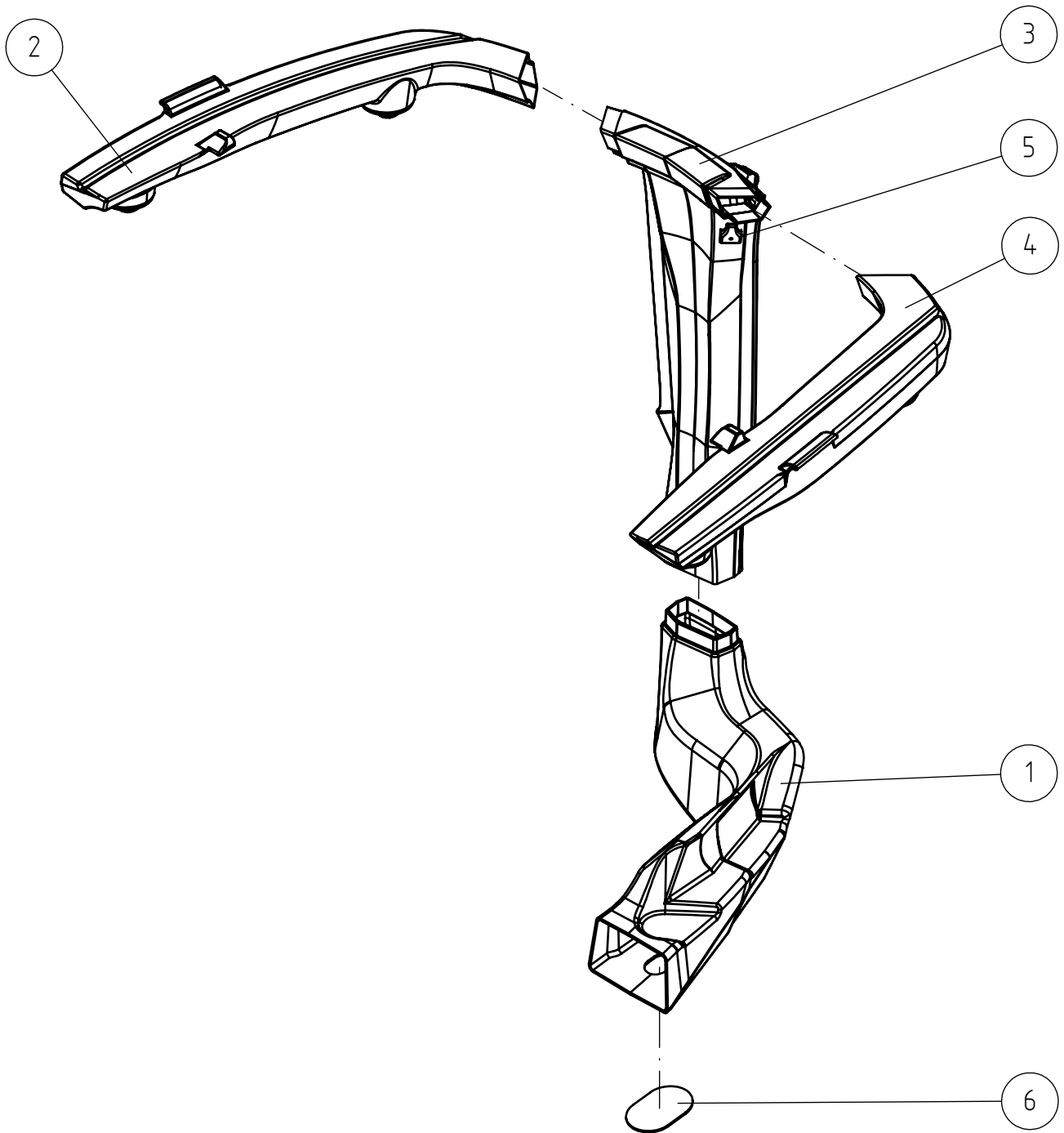
27.3.2024

**A436754 UPHOLSTERY PANELS B-PILLARS CAB GT**

REF	PART NO	QTY	DESCRIPTION	NOTES	PAGE
1	A436420	1	UPHOLSTERY PANEL B-PILLAR LEFT CAB GT		-
2	A436524	1	UPHOLSTERY PANEL B-PILLAR RIGHT CAB GT		-
3	64986	1	EMERGENCY HAMMER HAPPICH RED		-
4	64987	1	BRACKET, EMERGENCY HAMMER		-
5	75129	4	THREAD-FORMING SCREW M6*16 DIN 7500C		-
6	A431729	2	PAN HEAD MACHINE SCREW M3,9*19		-
7	74807	4	SPEED NUT M6, FOR 0.5-4.0 MM PLATE		-

27.3.2024

# A436635 AIR DUCTS ASSEMBLY CAB GT



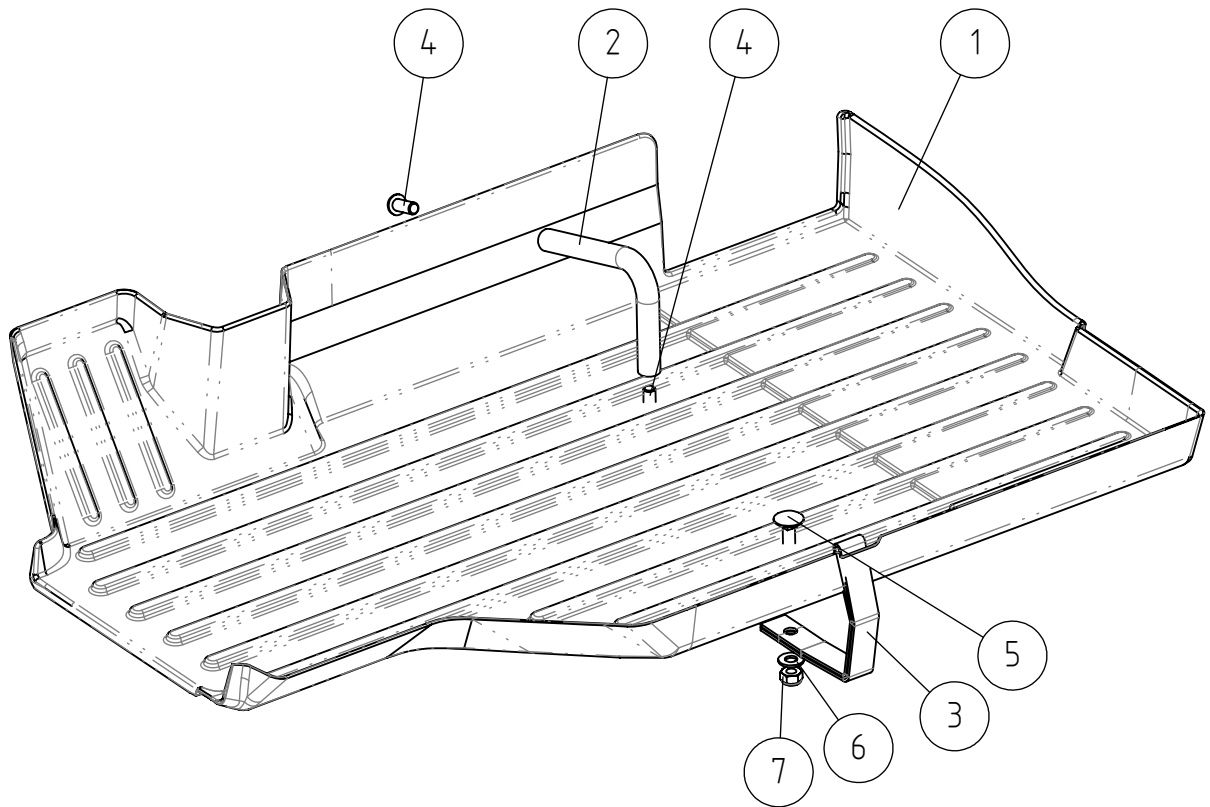
27.3.2024

**A436635 AIR DUCTS ASSEMBLY CAB GT**

REF	PART NO	QTY	DESCRIPTION	NOTES	PAGE
1	A436413	1	AIR DUCT LOWER CAB GT		-
2	A436415	1	AIR DUCT CEILING RIGHT CAB GT		-
3	A436479	1	AIR DUCT VERTICAL CAB GT		-
4	A436417	1	AIR DUCT CEILING LEFT CAB GT		-
5	65072	1	COAT HOOK HAPPICH BLACK		-
6	A439839	1	COVER PLATE AIR DUCT CAB GT		-

27.3.2024

# A434410 SERVICE HATCH ASSEMBLY CAB GT



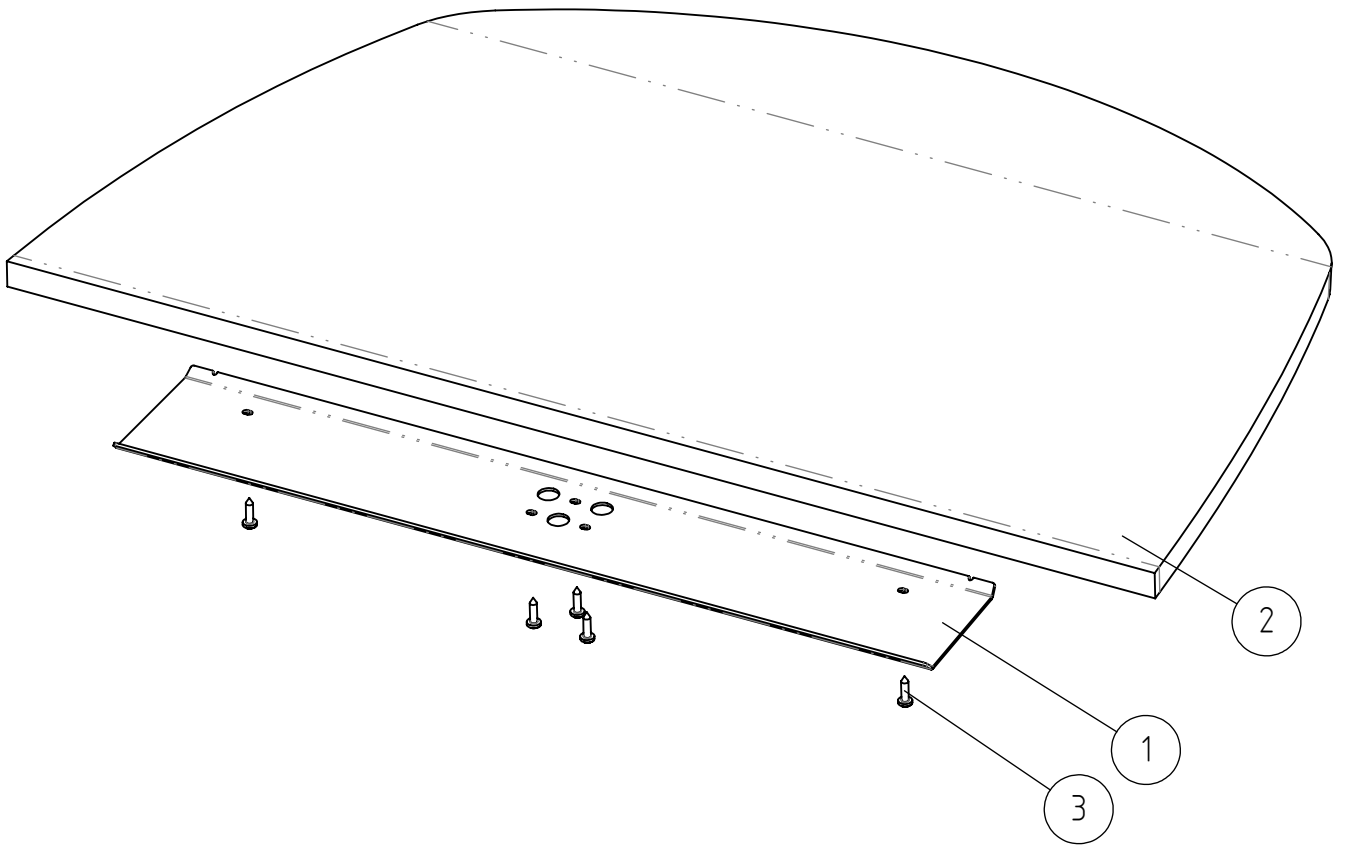
27.3.2024

**A434410 SERVICE HATCH ASSEMBLY CAB GT**

REF	PART NO	QTY	DESCRIPTION	NOTES	PAGE
1	A437490	1	SERVICE HATCH CAB GT		-
2	A438964	1	GUARD BAR SERVICE HATCH CAB GT		-
3	A436742	1	HANDLE SERVICE HATCH CAB GT		-
4	75152	2	BUTTON HEAD SOCKET CAP SCREW M8*20 10.9		-
5	74836	1	CARRIAGE BOLT M8*20		-
6	73122	1	WASHER M8 A8,4 DIN 125 ZN		-
7	72320	1	HEXAGONAL NUT M8 NYLOC DIN 985		-

27.3.2024

# A438892 UPHOLSTERY ASSEMBLY CEILING CAB GT





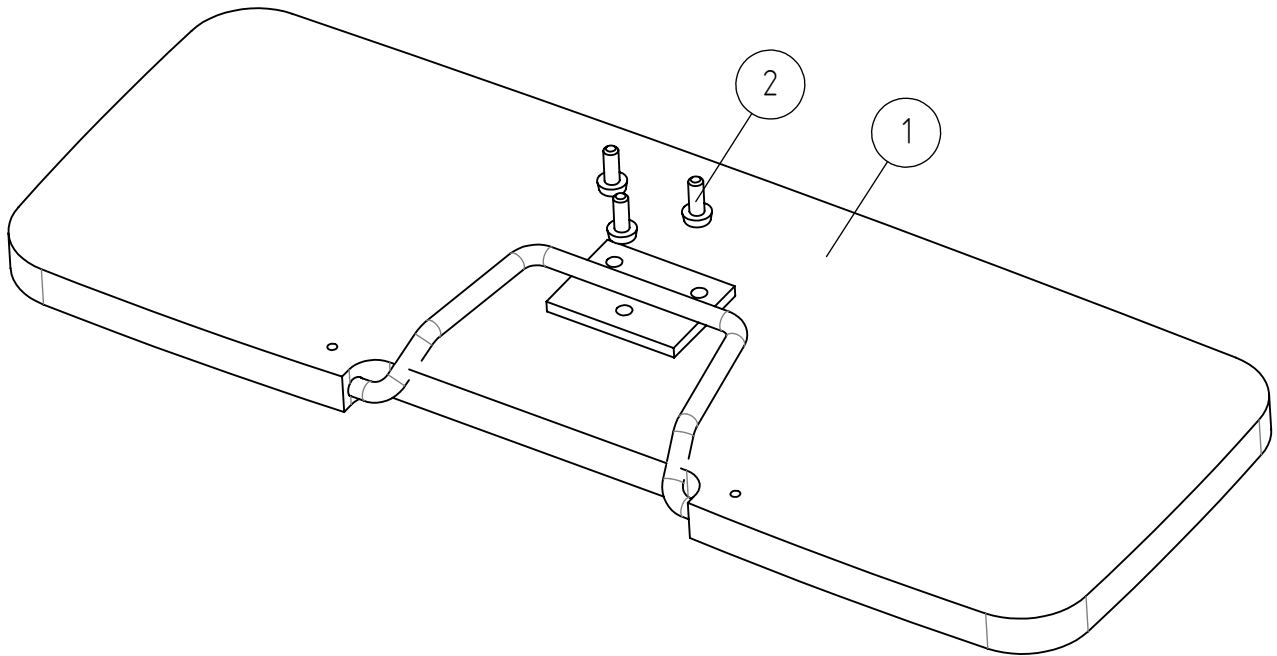
27.3.2024

**A438892 UPHOLSTERY ASSEMBLY CEILING CAB GT**

REF	PART NO	QTY	DESCRIPTION	NOTES	PAGE
1	A434346	1	UPHOLSTERY PLATE CAB GT		-
2	A436244	1	UPHOLSTERY CEILING CAB GT		-
3	A463689	5	TAPPING SCREW 4,8X19 DIN 7981C		-

27.3.2024

# A438887 SUN VISOR ASSEMBLY CAB GT



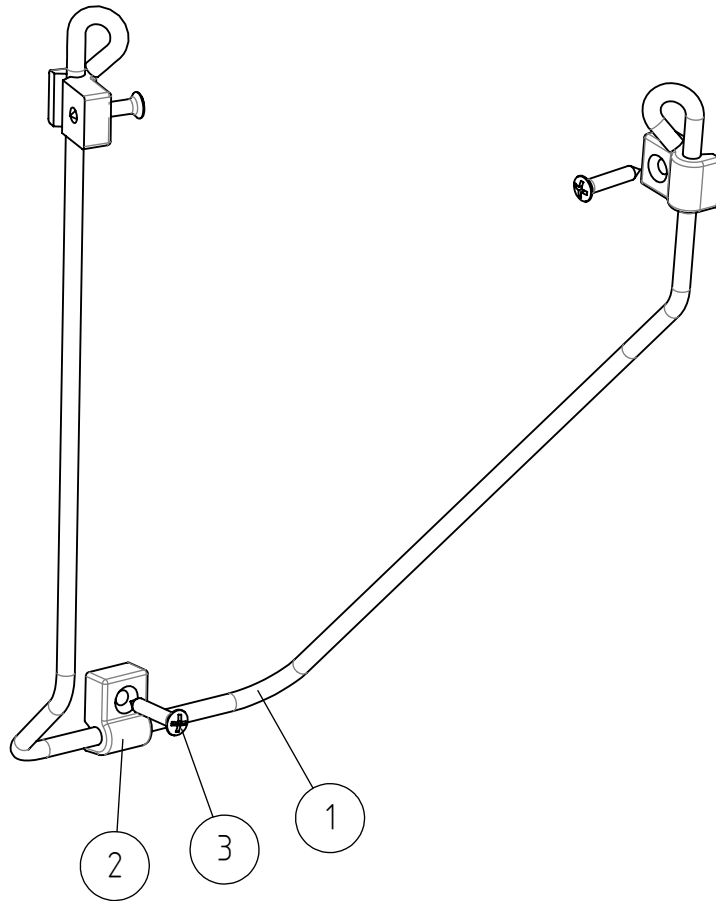
27.3.2024

**A438887 SUN VISOR ASSEMBLY CAB GT**

REF	PART NO	QTY	DESCRIPTION	NOTES	PAGE
1	A438885	1	SUN VISOR 500X183 BLACK		-
2	A437544	3	THREAD-FORMING SCREW BLACK M6*16 DIN		-

27.3.2024

# A438452 NET POCKET ASSEMBLY CAB GT



27.3.2024

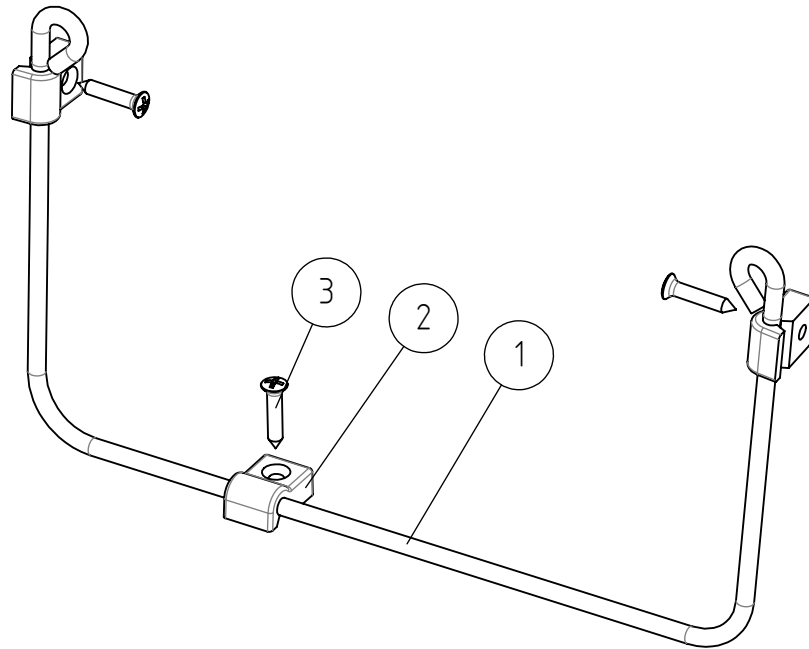
**A438452 NET POCKET ASSEMBLY CAB GT**

REF	PART NO	QTY	DESCRIPTION	NOTES	PAGE
1	A438448	1	NET POCKET CAB GT		-
2	A438436	3	MOUNTING BRACKET NET POCKET CAB GT		-
3	A438444	3	TAPPING SCREW 3,9/7,5 X 20 DIN 7983		-

27.3.2024

---

# A438443 NET POCKET REAR ASSEMBLY CAB GT

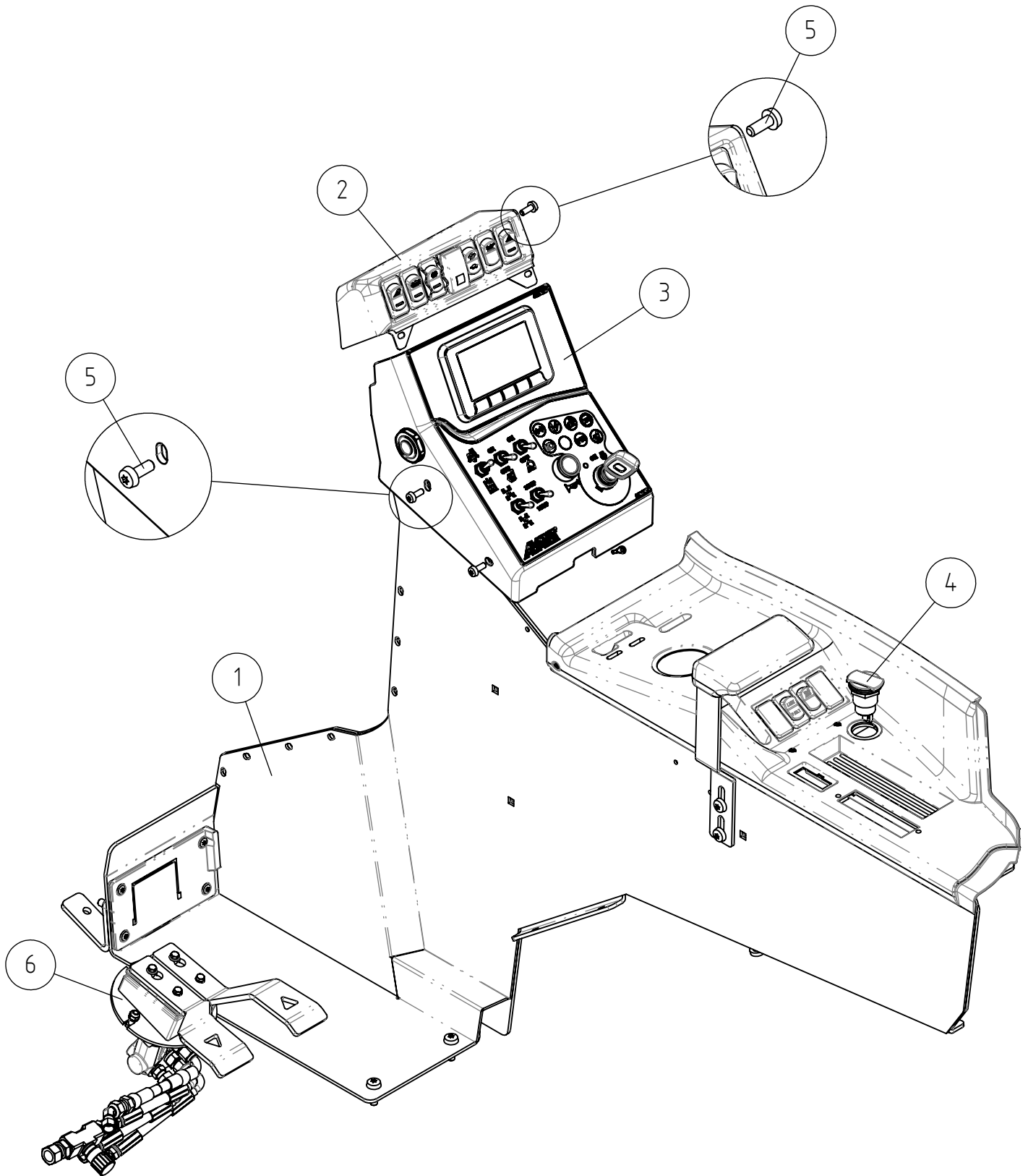


27.3.2024

**A438443 NET POCKET REAR ASSEMBLY CAB GT**

REF	PART NO	QTY	DESCRIPTION	NOTES	PAGE
1	A438434	1	FRAME NET POCKET CAB GT		-
2	A438436	3	MOUNTING BRACKET NET POCKET CAB GT		-
3	A438444	3	TAPPING SCREW 3,9/7,5 X 20 DIN 7983		-

# A448127 CONTROLS ASSEMBLY CAB GT





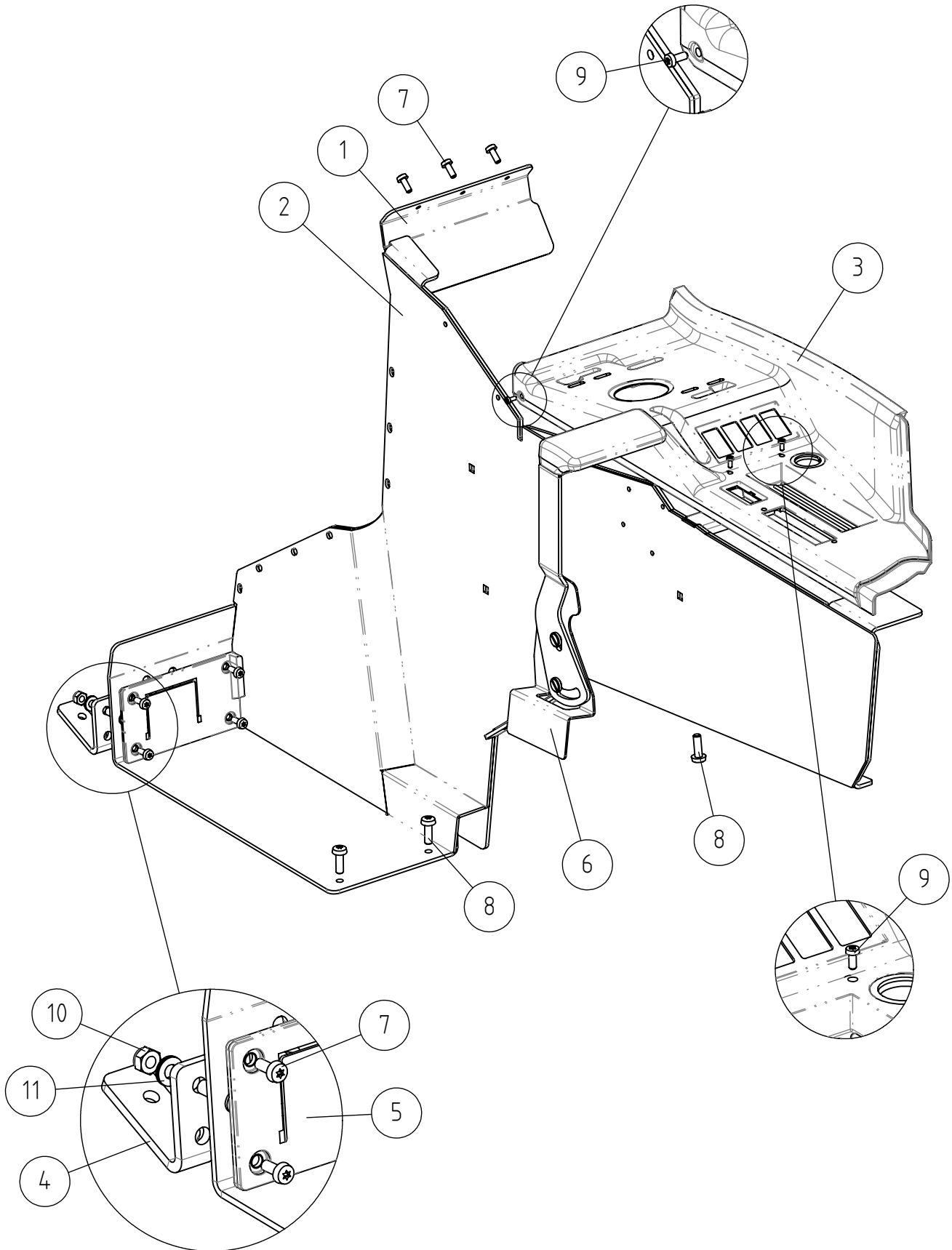
27.3.2024

**A448127 CONTROLS ASSEMBLY CAB GT**

REF	PART NO	QTY	DESCRIPTION	NOTES	PAGE
1	A465450	1	CONTROLS ASSEMBLY CAB GT		162
2	A436212	1	HOUSING SWITCHES ASSEMBLY CAB GT		-
3	A436574	1	DASHBOARD CAB GT / DLX		164
3.1	A436098	1	WIRE HARNESS DASHBOARD		-
3.2	A425315	1	INDICATOR LIGHTS DASHBOARD		-
3.3	A440326	1	ALARM BEEPER D28,5/D45 -H47		-
3.4	A436572	1	PANEL ABS GAUGES CAB DLX		-
3.5	66156	1	IGNITION SWITCH 12V/30A/60A IP65 COBO		-
3.6	A442322	1	ROCKER SWITCH ON-OFF-MOM 3-POLE		-
3.7	A443283	4	TOGGLE SWITCH ON-OFF 2-POLE		-
3.8	64074	1	PUSH BUTTON F22,5 SIGNAL HORN		-
3.9	A436674	1	MOUNTING FRAME ASSEMBLY SWITCH PANEL CAB		-
3.10	A436642	1	MOUNTING FRAME ASSEMBLY DISPLAY CAB		-
4	A436424	1	OUTLET 12V/20A WITH COVER		-
5	75129	3	THREAD-FORMING SCREW M6*16 DIN 7500C		-
6	A449873	1	DRIVE PEDAL ASSEMBLY CAB GT		-

27.3.2024

# A465450 CONTROLS ASSEMBLY CAB GT



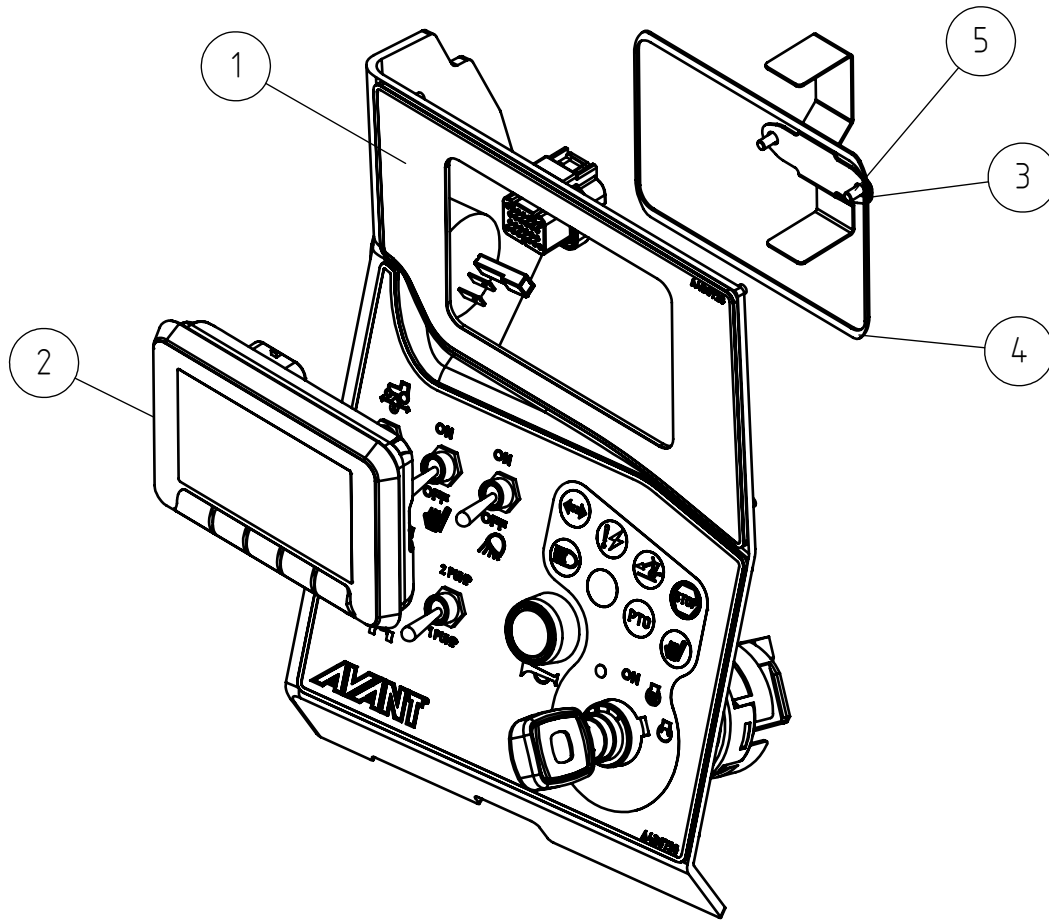
27.3.2024

**A465450 CONTROLS ASSEMBLY CAB GT**

REF	PART NO	QTY	DESCRIPTION	NOTES	PAGE
1	A449855	1	MOUNTING PLATE CONTROL VALVE CAB GT		-
2	A449863	1	MOUNTING PLATE CONTROL VALVE WITH		-
3	A436540	1	INSTRUMENT PANEL CAB GT		-
4	A449818	1	MOUNTING PLATE DRIVE PEDAL CAB GT		-
5	A434607	1	SEALING PLATE ASSEMBLY DRIVE PEDALS CAB		-
6	A454221	1	ARMREST RIGHT CAB GT		-
7	75129	7	THREAD-FORMING SCREW M6*16 DIN 7500C		-
8	75128	3	THREAD-FORMING SCREW M8*25 DIN 7500C		-
9	A438375	3	THREAD-FORMING SCREW 4*10		-
10	72320	2	HEXAGONAL NUT M8 NYLOC DIN 985		-
11	63944	2	WASHER, PAIR, NORD-LOCK M8		-

27.3.2024

# A436574 DASHBOARD CAB GT / DLX



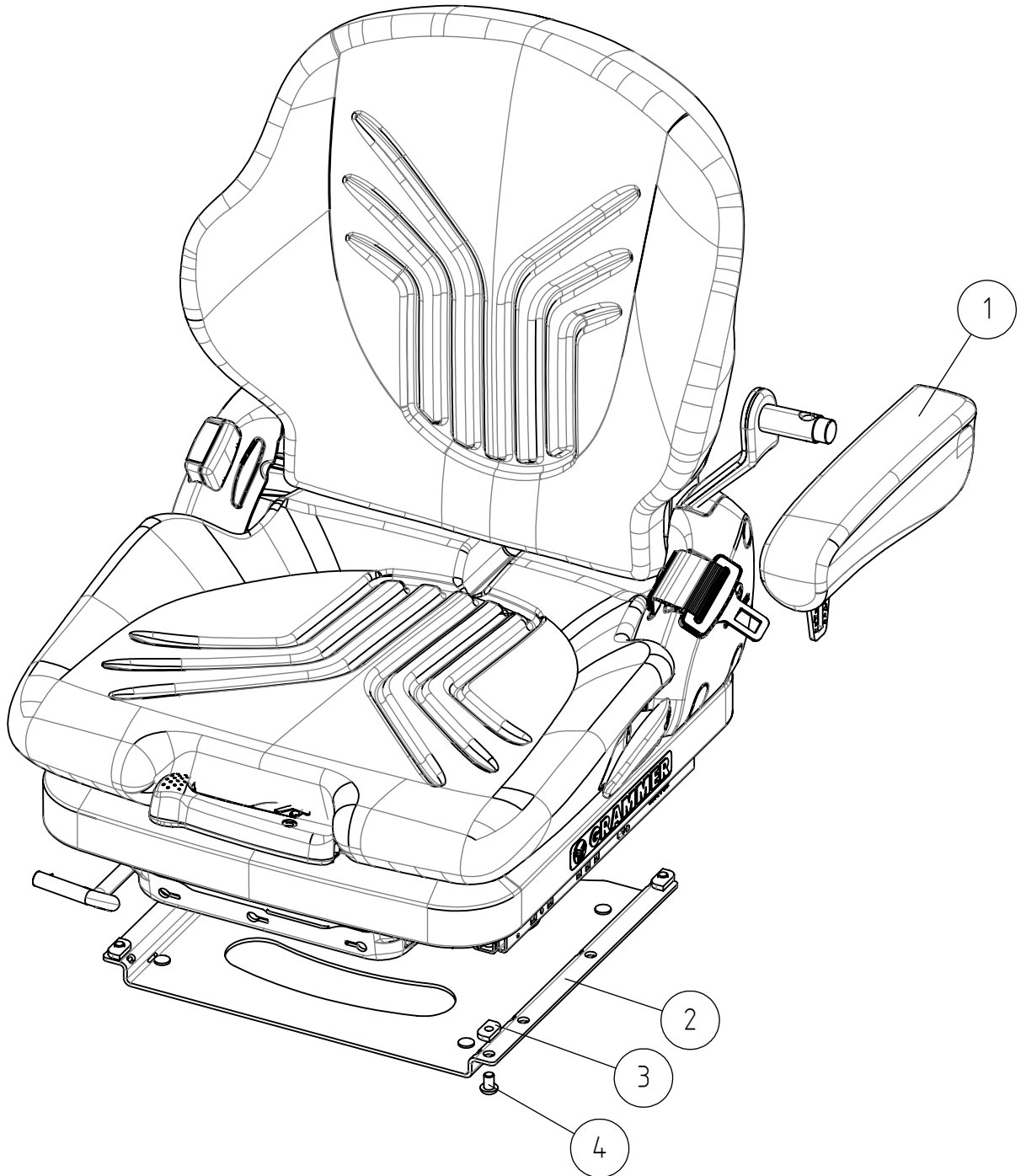
27.3.2024

**A436574 DASHBOARD CAB GT / DLX**

REF	PART NO	QTY	DESCRIPTION	NOTES	PAGE
1	A456501	1	DASHBOARD WITHOUT DISPLAY CAB GT		-
2	A428466	1	DISPLAY 4,3" COLOUR LED		-
3	A423587	1	MOUNTING PLATE DISPLAY		-
4	A436780	1	GROUNDING FRAME CANVIEW4 GAUGE PANEL		-
5	A431502	2	PAN HEAD MACHINE SCREW M4*8		-
-	A436098	1	WIRE HARNESS DASHBOARD		-
-	A425315	1	INDICATOR LIGHTS DASHBOARD		-
-	A440326	1	ALARM BEEPER D28,5/D45 -H47		-
-	A436572	1	PANEL ABS GAUGES CAB DLX		-
-	66156	1	IGNITION SWITCH 12V/30A/60A IP65 COBO		-
-	A442322	1	ROCKER SWITCH ON-OFF-MOM 3-POLE		-
-	A443283	4	TOGGLE SWITCH ON-OFF 2-POLE		-
-	64074	1	PUSH BUTTON F22,5 SIGNAL HORN		-
-	A436674	1	MOUNTING FRAME ASSEMBLY SWITCH PANEL CAB		-
-	A436642	1	MOUNTING FRAME ASSEMBLY DISPLAY CAB		-

27.3.2024

**A449724 SEAT FULL SUSPENSION FABRIC HEATER MSG65**



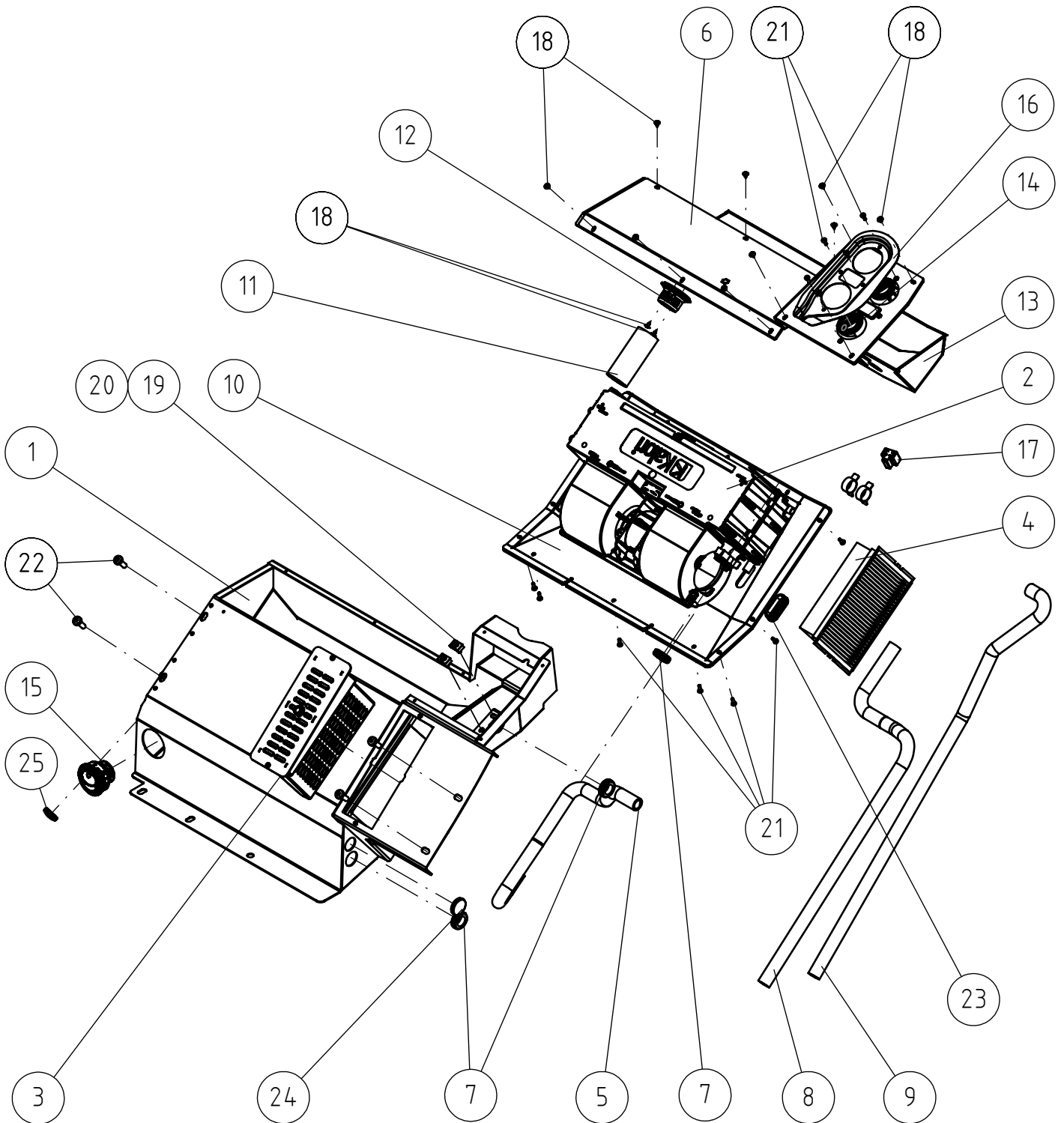
27.3.2024

**A449724 SEAT FULL SUSPENSION FABRIC HEATER MSG65**

REF	PART NO	QTY	DESCRIPTION	NOTES	PAGE
1	A452237	1	ARMREST LEFT, SEAT GRAMMER MSG65		-
2	A454836	1	MOUNTING PLATE SEAT CAB GT		-
3	A438059	4	SLIDING NUT M8		-
4	75131	4	BUTTON HEAD SOCKET CAP SCREW M8*12 10.9		-

27.3.2024

# A438246 HEATER ASSEMBLY CAB GT





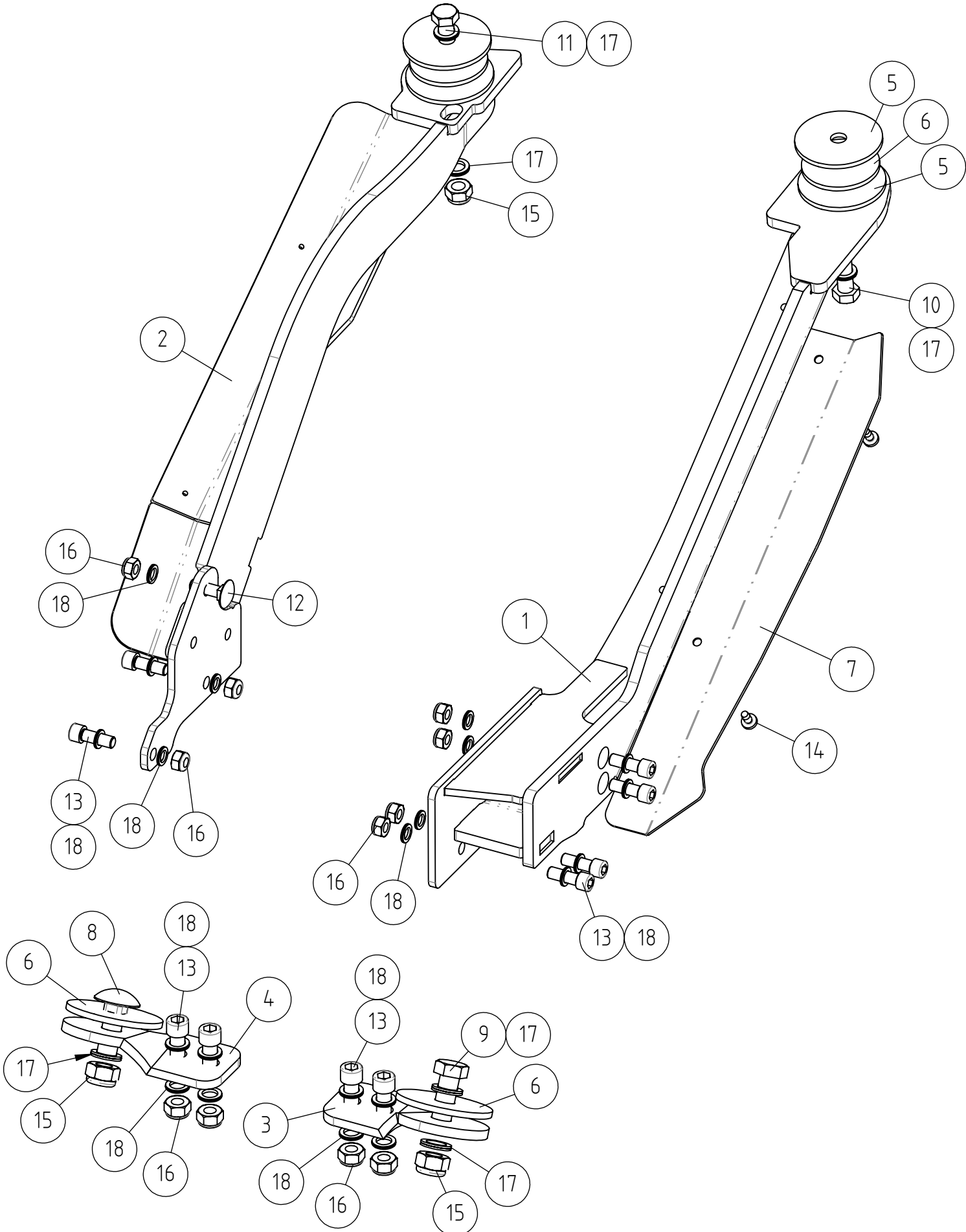
27.3.2024

**A438246 HEATER ASSEMBLY CAB GT**

REF	PART NO	QTY	DESCRIPTION	NOTES	PAGE
1	A434046	1	HOUSING, HEATER CAB GT		-
2	A438010	1	HEATER CAB GT KOOL E 12V		-
3	A434672	1	HOUSING AIR FILTER CAB		-
4	A422597	1	AIR FILTER CARTRIDGE CAB		-
5	A434090	1	HOSE HEATER CAB GT		-
6	A438253	1	COVER PLATE HEATER CHANNEL CAB GT		-
7	A434302	3	GROMMET F32/25/19 60SH		-
8	A434303	1	INLET HOSE HEATER CAB GT		-
9	A434304	1	RETURN HOSE HEATER CAB GT		-
10	A436401	1	LID HEATER CAB GT		-
12	A436387	1	HOSE FITTING 40MM		-
13	A438219	1	ISOLATION PLATE HEATER CHANNEL CAB GT		-
14	65514	1	THERMOSTAT, HEATER, CAB		-
15	A436549	1	NOZZLE 60MM AIR FLOW CAB GT		-
16	A437682	1	FRAME, HEATER ADJUSTMENT KNOB CAB GT		-
17	A436290	1	WIRE HARNESS HEATER/AIRCON CAB GT		-
18	A436550	12	PAN HEAD MACHINE SCREW M3,9*9,5		-
19	75172	2	SPEED NUT M5 FOR 0.5-4.0 MM PLATE		-
20	74771	2	PAN HEAD MACHINE SCREW M5* 25		-
21	A430277	16	TORX SCREW M4*12		-
22	75128	4	THREAD-FORMING SCREW M8*25 DIN 7500C		-
23	65849	2	PLUG OVAL 20X50		-
24	66034	1	RUBBER PLUG F35/F25-10 S=3		-
25	A438250	1	RUBBER PLUG D28/D21 S=3 60SH		-
26	A438229	4	HOSE CLAMP D23		-

27.3.2024

# A442729 SUBFRAME ASSEMBLY CAB GT 500-700 SERIES



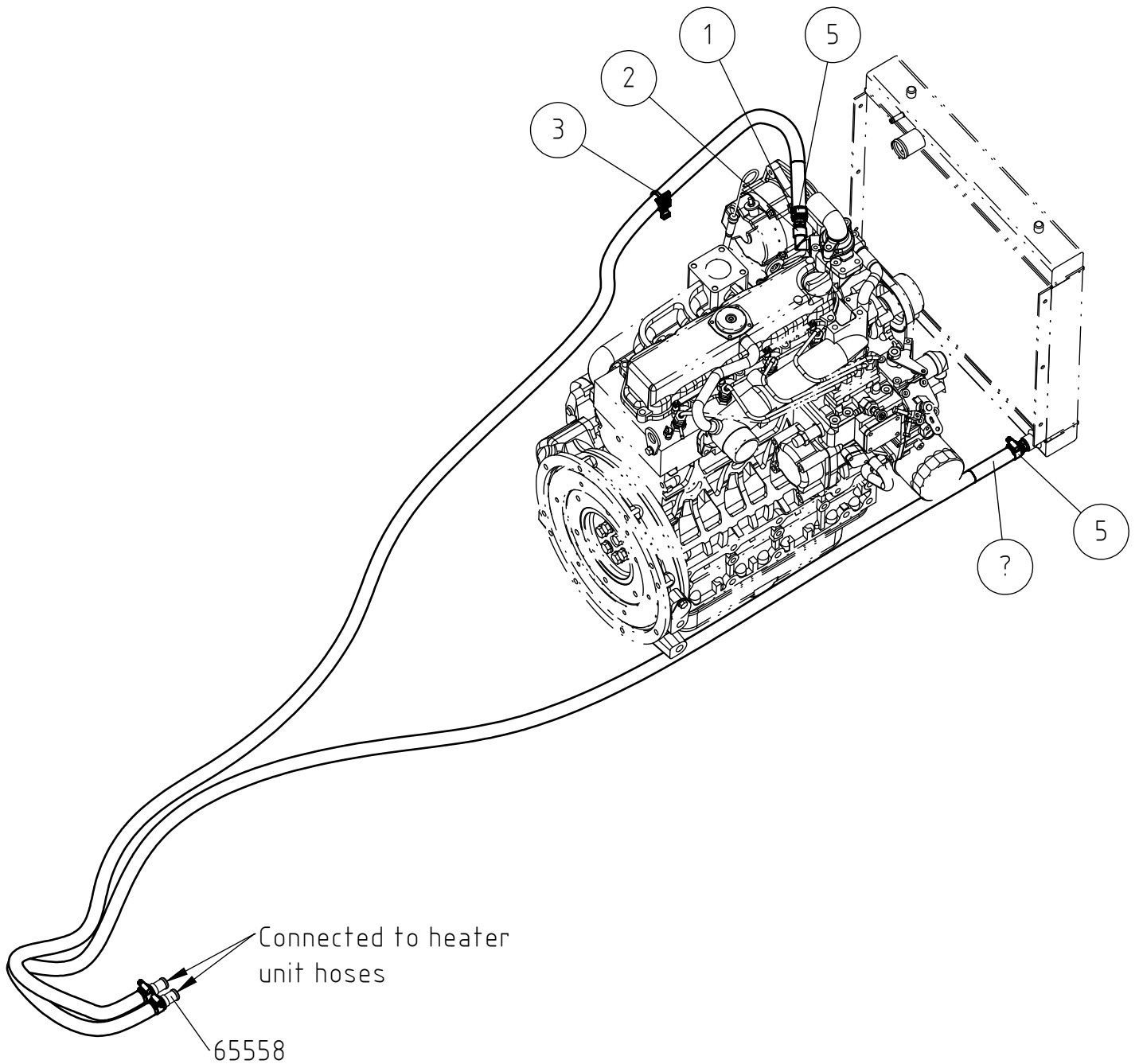
27.3.2024

**A442729 SUBFRAME ASSEMBLY CAB GT 500-700 SERIES**

REF	PART NO	QTY	DESCRIPTION	NOTES	PAGE
1	A452292	1	MOUNTING BRACKET LEFT SUBFRAME CAB GT		-
2	A452289	1	MOUNTING BRACKET RIGHT SUBFRAME CAB GT		-
3	A445439	1	MOUNTING PLATE LEFT CAB		-
4	A445639	1	MOUNTING PLATE RIGHT CAB		-
5	A438392	4	WASHER SUBFRAME CAB GT		-
6	A442463	4	RUBBER WASHER SUBFRAME CAB GT		-
7	A446409	1	COVER PANEL LEFT SUBFRAME CAB GT		-
8	74404	1	CARRIAGE BOLT M16*45 DIN603		-
9	72192	1	HEXAGONAL SCREW M16*45 DIN 933		-
10	72193	1	HEXAGONAL SCREW M16* 50 DIN 933		-
11	73569	1	HEXAGONAL SCREW M16* 60 DIN 933		-
12	74915	1	CARRIAGE BOLT M12*40 DIN603		-
13	74876	10	HEXAGONAL HEAD SCREW M12*35 DIN912		-
14	A465214	2	THREAD-FORMING SCREW M8*16 DIN 7500-PE		-
15	72330	3	HEXAGONAL NUT M16 NYLOC DIN 985		-
16	72324	11	HEXAGONAL NUT M 12 NYLOC DIN 985		-
17	74533	6	WASHER, PAIR, M16 NL16 NORDLOCK		-
18	74532	21	WASHER NORDLOCK NL12		-

27.3.2024

# A465346 HEATER HOSES IN ENGINE COMPARTMENT



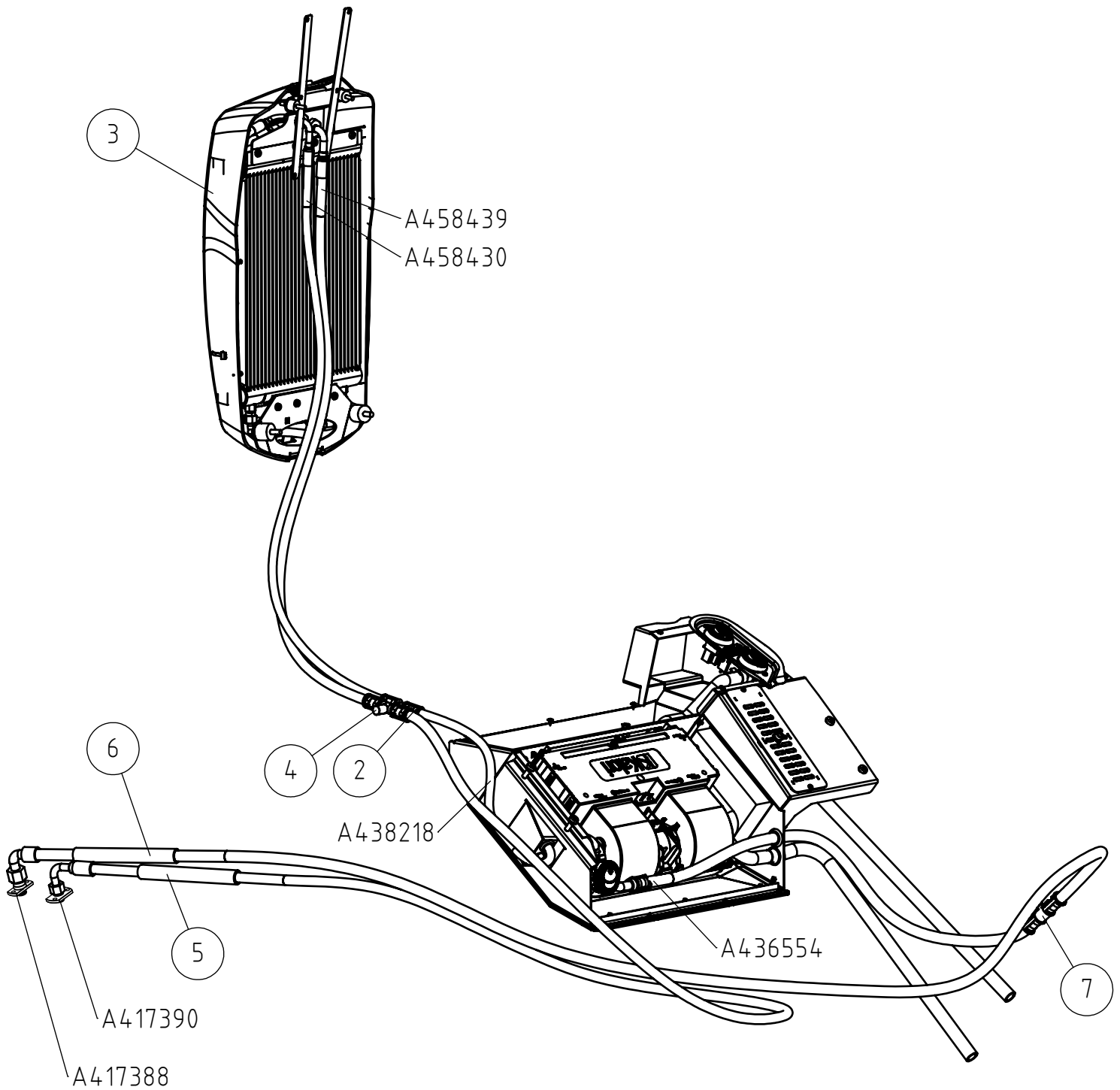
27.3.2024

**A465346 HEATER HOSES IN ENGINE COMPARTMENT**

REF	PART NO	QTY	DESCRIPTION	NOTES	PAGE
1	64967	2	HOSE BARB R3/8"UK - 16MM L=44		-
2	65480	1	ELBOW FITTING 90 DEGR. 22 38 38		-
3	A442639	1	CABLE TIE 7,6*390 M6 BLACK		-
4	A457826	2	WATER HOSE L=2950 RADIATOR - CAB		-
5	64337	4	HOSE CLAMP 19-28 MM ABA		-

27.3.2024

# A450869 AIR CONDITIONING ASSEMBLY CAB GT



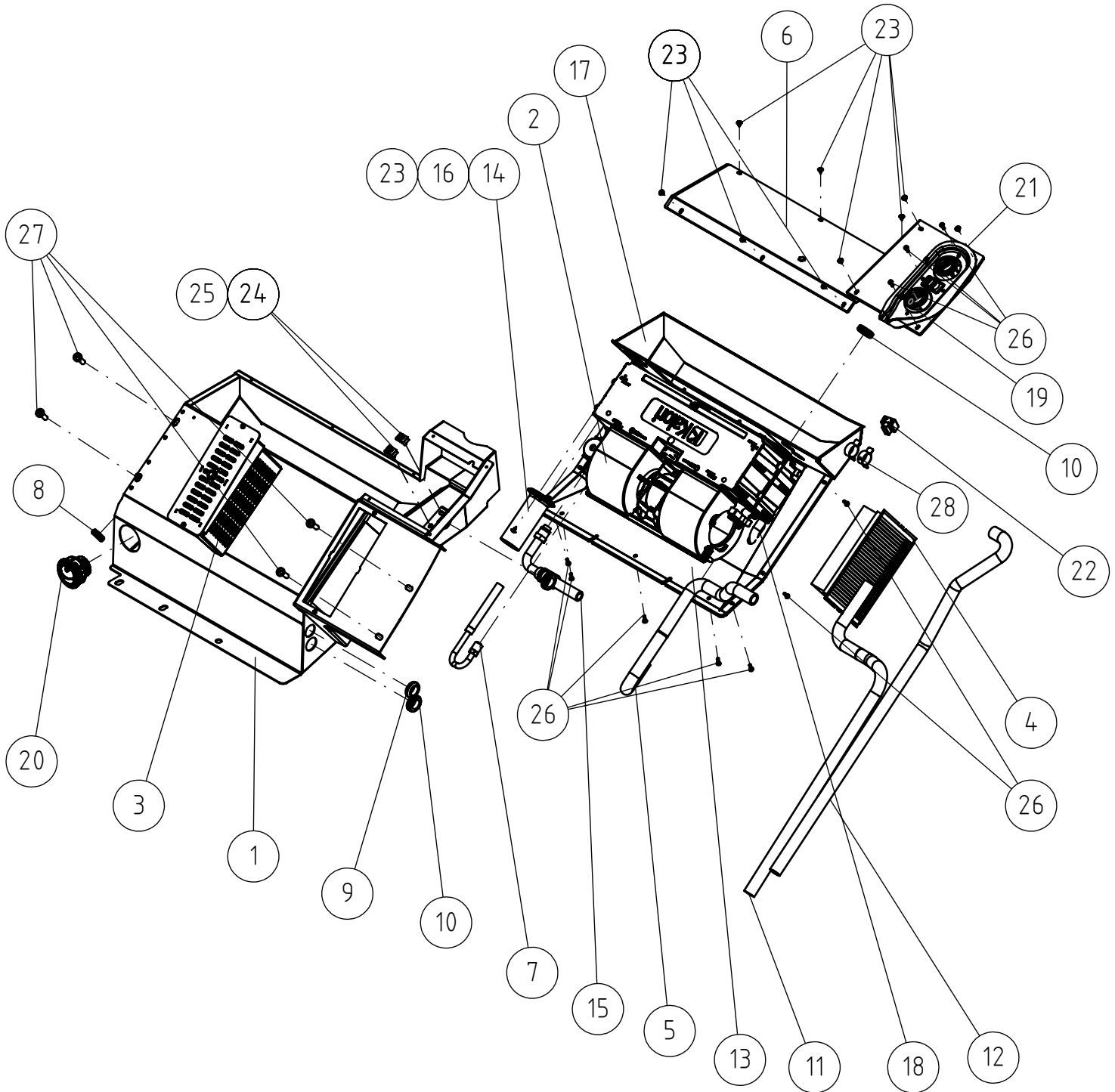
27.3.2024

**A450869 AIR CONDITIONING ASSEMBLY CAB GT**

REF	PART NO	QTY	DESCRIPTION	NOTES	PAGE
1	A434047	1	HEATER MODULE CAB GT		176
2	A450870	1	FITTING COOLANT A/C		-
3	A449155	1	CONDENSER WITH RECEIVER DRIER A/C CAB GT		178
4	66173	1	HOSE FITTING M08 KALORI		-
5	A456720	1	HOSE A/C L=3100 M8		-
6	A456717	1	HOSE A/C L=2710 M10		-
7	66174	1	HOSE FITTING M10 KALORI		-

27.3.2024

# A434047 HEATER MODULE CAB GT





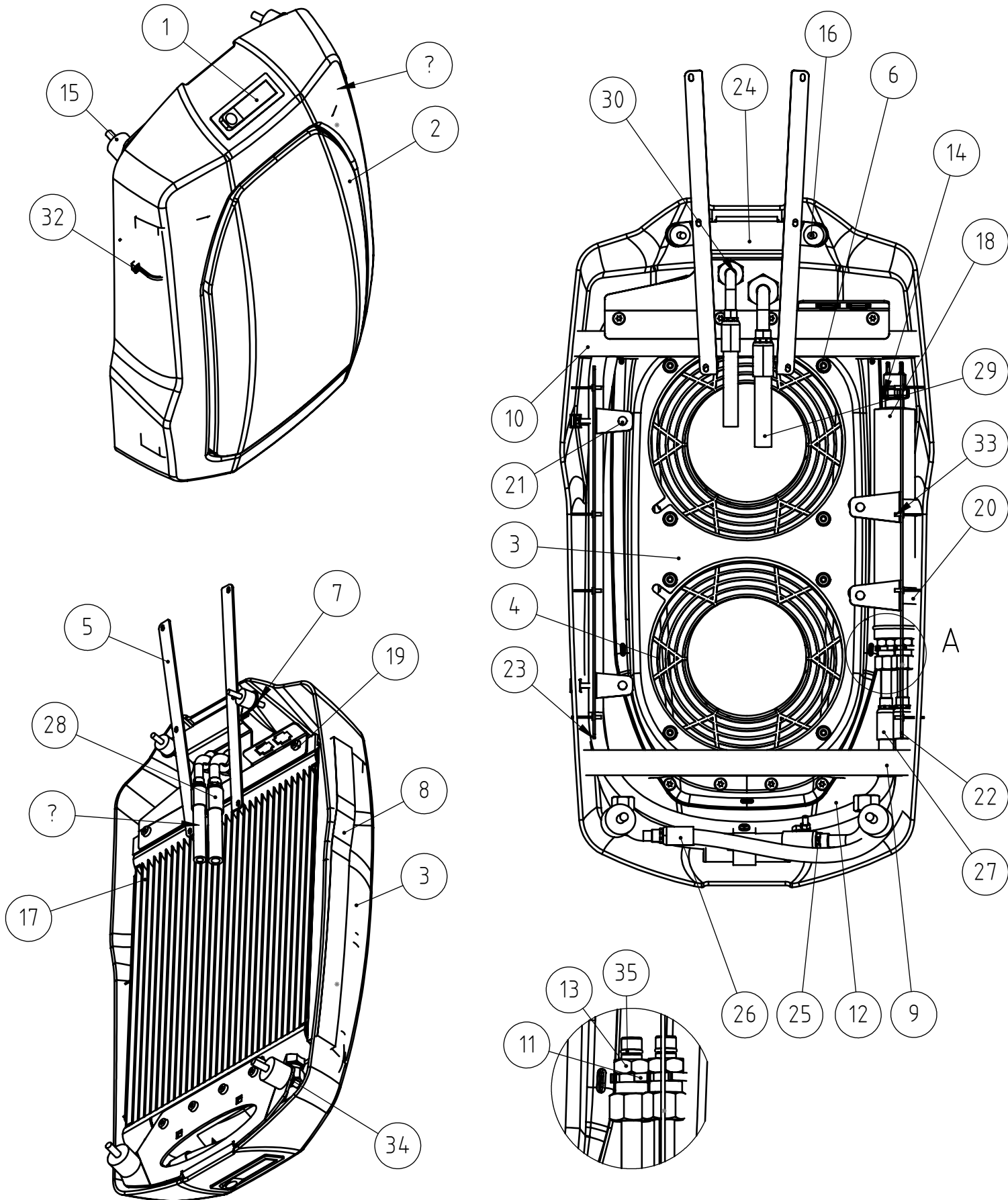
27.3.2024

**A434047 HEATER MODULE CAB GT**

REF	PART NO	QTY	DESCRIPTION	NOTES	PAGE
1	A434046	1	HOUSING, HEATER CAB GT		-
2	A436383	1	HEATER CAB GT 6,6/4,5 KW KOOL KOMBI E		-
3	A434672	1	HOUSING AIR FILTER CAB		-
4	A422597	1	AIR FILTER CARTRIDGE CAB		-
5	A434090	1	HOSE HEATER CAB GT		-
6	A434450	1	COVER PLATE HEATER CHANNEL CAB GT		-
7	A438218	1	REFRIGERANT HOSE L=900 ASSEMBLY		-
8	65525	1	GROMMET F27/21/13		-
9	65526	1	GROMMET F32/25/19		-
10	A434302	3	GROMMET F32/25/19 60SH		-
11	A434303	1	INLET HOSE HEATER CAB GT		-
12	A434304	1	RETURN HOSE HEATER CAB GT		-
13	A436401	1	LID HEATER CAB GT		-
15	A436554	1	REFRIGERANT HOSE HEATER CAB GT		-
16	A436387	1	HOSE FITTING 40MM		-
17	A438219	1	ISOLATION PLATE HEATER CHANNEL CAB GT		-
18	A413467	2	WATER HOSE, CONDENSATION WASSER		-
19	65514	1	THERMOSTAT, HEATER, CAB		-
20	A436549	1	NOZZLE 60MM AIR FLOW CAB GT		-
21	A437682	1	FRAME, HEATER ADJUSTMENT KNOB CAB GT		-
22	A436290	1	WIRE HARNESS HEATER/AIRCON CAB GT		-
23	A436550	12	PAN HEAD MACHINE SCREW M3,9*9,5		-
24	75172	2	SPEED NUT M5 FOR 0.5-4.0 MM PLATE		-
25	74771	2	PAN HEAD MACHINE SCREW M5* 25		-
26	A430277	16	TORX SCREW M4*12		-
27	75128	4	THREAD-FORMING SCREW M8*25 DIN 7500C		-
28	A438229	4	HOSE CLAMP D23		-

27.3.2024

# A449155 CONDENSER WITH RECEIVER DRIER A/C CAB GT



DETAIL A  
SCALE 2 : 5

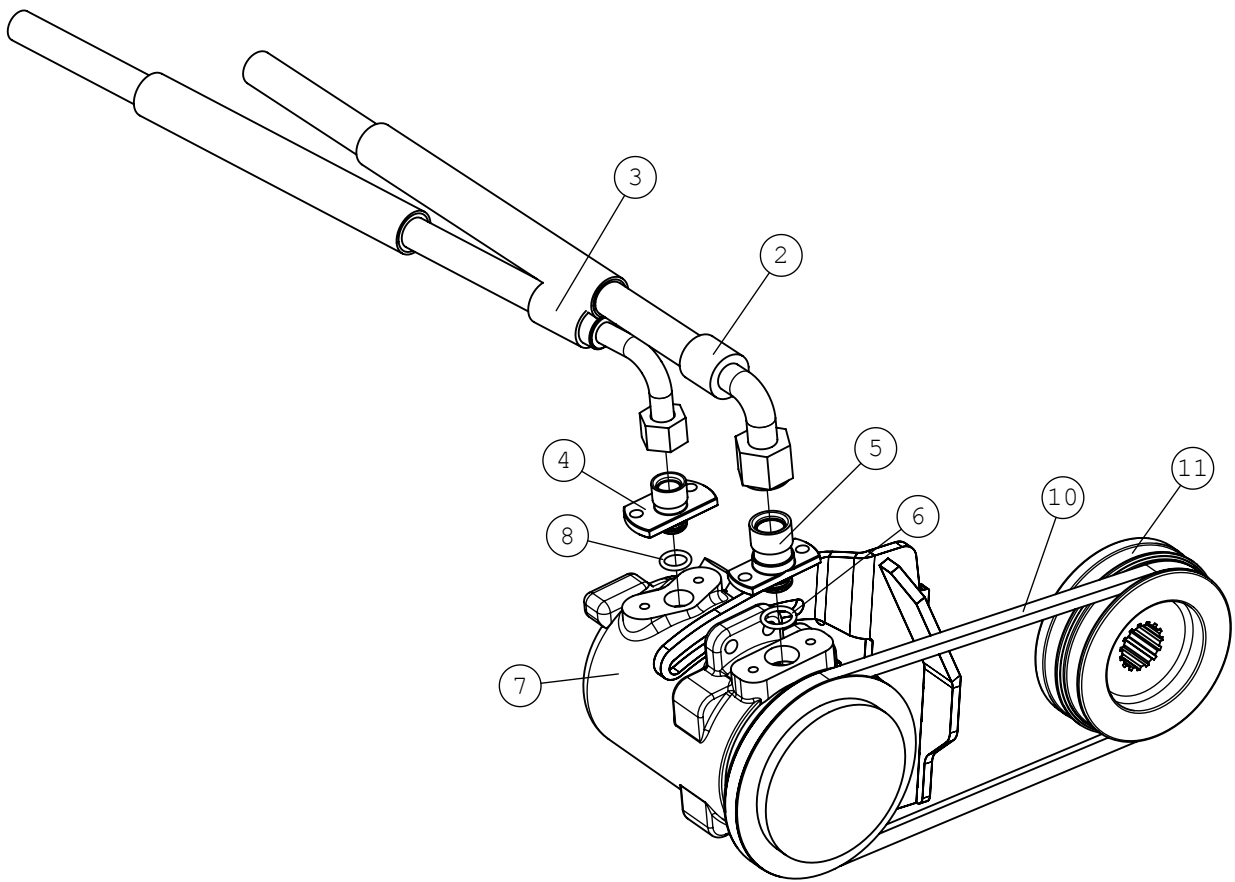
27.3.2024

**A449155 CONDENSER WITH RECEIVER DRIER A/C CAB GT**

REF	PART NO	QTY	DESCRIPTION	NOTES	PAGE
1	65085	1	LATCH		-
2	A445944	1	PROTECTIVE MESH COVER PANEL CONDENSER		-
3	A445947	1	HOUSING CONDENSER A/C CAB GT		-
4	64778	2	FAN 12VDC F190		-
5	A447841	2	SUPPORT ROD COVER PANEL C PILLAR CAB GT		-
6	A449842	9	HEXAGONAL HEAD SCREW M6*16 10.9		-
7	72318	14	HEXAGONAL NUT M 6 DIN 985 NYLOC		-
8	A446529	2	SEAL SIDE CONDENSER A/C		-
9	A446531	1	SEAL LOWER CONDENSER A/C		-
10	A446533	1	SEAL UPPER CONDENSER A/C		-
11	A446555	1	BRACKET HOSE NIPPLE A/C CAB GT		-
12	A445771	1	MOUNTING BRACKET LOWER CONDENSER A/C		-
13	A445712	2	HOSE NIPPLE RECEIVER DRIER A/C CAB GT		-
14	A445557	1	PRESSURE SWITCH HP 26,5 BAR / LP 2 BAR		-
15	A437449	2	VIBRATION DAMPER RUBBER 30/25/20 M8		-
16	A445490	2	VIBRATION DAMPER D20X15		-
17	A445709	1	CONDENSER A/C CAB GT		-
18	A445301	1	RECEIVER DRIER A/C CAB GT		-
19	A444170	8	THREAD-FORMING SCREW M6*12 DIN 7500CE		-
20	A445508	2	PIPE CLAMP D38 M8		-
21	A446561	4	PRESS-IN SCREW M6*15		-
22	A447781	1	MOUNTING PLATE RECEIVER DRIER A/C		-
23	A447823	1	MOUNTING PLATE HOSES CONDENSER A/C CAB		-
24	A447824	1	MOUNTING BRACKET UPPER CONDENSER A/C		-
25	A447869	2	HOSE FITTING 90° M0808 REFRIGERANT		-
26	A447867	2	HOSE FITTING 90° M0606 REFRIGERANT		-
27	A447959	2	HOSE FITTING STRAIGHT M0606 REFRIGERANT		-
28	A447955	1	HOSE FITTING 08 90° REFRIGERANT		-
29	A450085	1	HOSE 08 A/C CAB GT		-
30	A447957	1	HOSE FITTING 06 90° REFRIGERANT		-
31	A450084	1	HOSE 06 A/C CAB GT		-
32	A442639	2	CABLE TIE 7,6*390 M6 BLACK		-
33	A448802	8	BLIND RIVET 3,0*8,0		-
34	72320	2	HEXAGONAL NUT M8 NYLOC DIN 985		-
35	A449800	2	O-RING D7,28X1,78		-

27.3.2024

# A37135 COMPRESSOR, ASSEMBLY, A/C 600 SERIES



27.3.2024

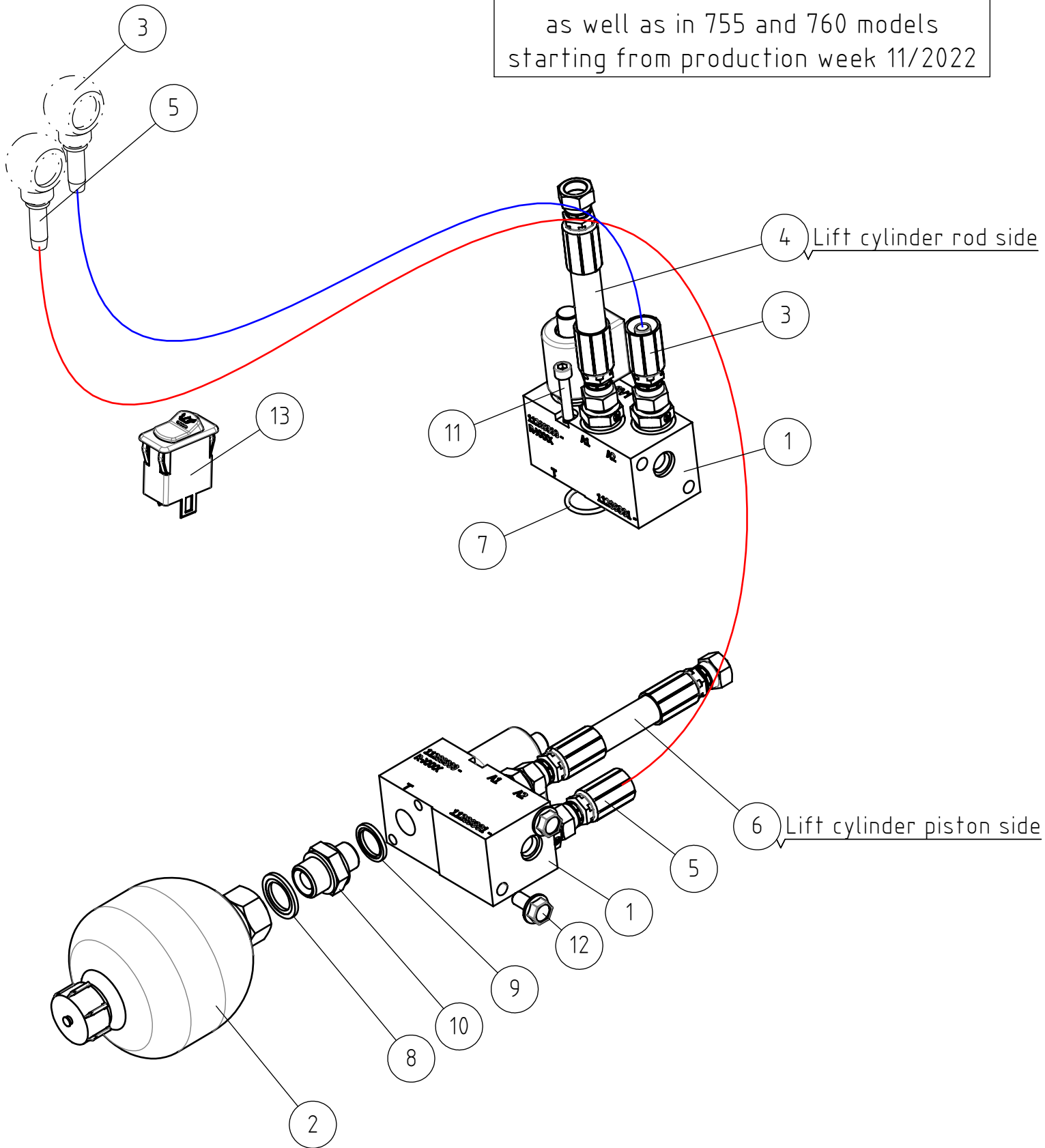
**A37135 COMPRESSOR, ASSEMBLY, A/C 600 SERIES**

REF	PART NO	QTY	DESCRIPTION	NOTES	PAGE
1	A36022	1	MOUNTING BRACKET, COMPRESSOR A/C		-
2	A420552	1	HOSE, A/C L=4500 M10		-
3	A420553	1	HOSE, A/C L=4500 M8		-
4	A417390	1	HOSE FITTING, A/C		-
5	A417388	1	HOSE FITTING, A/C		-
6	65531	1	O-RING KALORI 700.06.109		-
7	65515	1	COMPRESSOR, AIR CONDITIONING		-
7.1	A431604	1	TEMPERATURE SWITCH COMPRESSOR AC		-
8	65532	1	O-RING KALORI 700.06.110		-
9	A414503	1	ADJUSTMENT PLATE, COMPRESSOR A/C		-
10	65572	1	V-BELT SPZ760		-
11	A414540	1	V BELT PULLEY, DOUBLE		-

27.3.2024

# A445633 SMOOTH DRIVE - BOOM SUSPENSION 600-700

Used in Avant 645 and 650 models as well as in 755 and 760 models starting from production week 11/2022



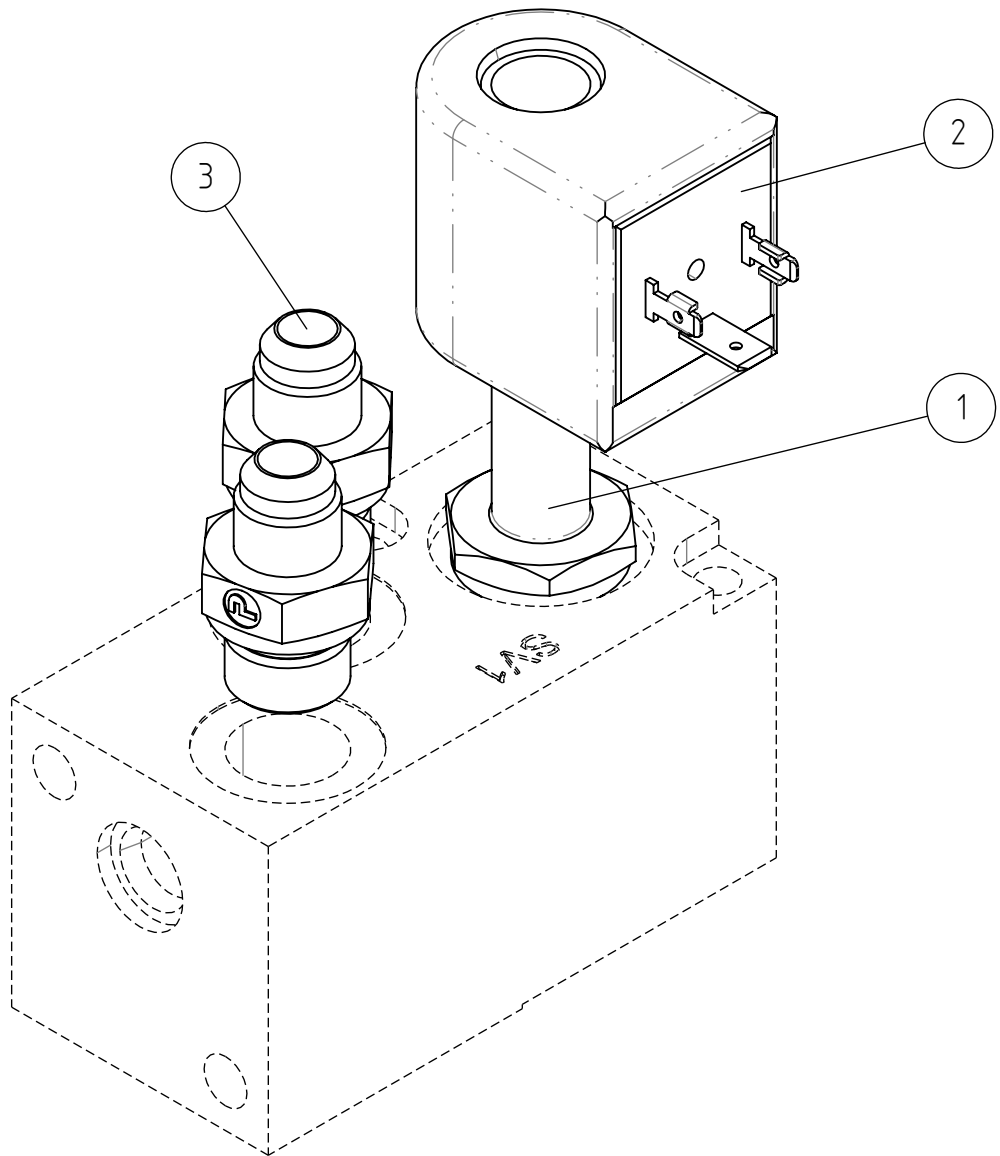
27.3.2024

**A445633 SMOOTH DRIVE - BOOM SUSPENSION 600-700**

REF	PART NO	QTY	DESCRIPTION	NOTES	PAGE
1	A449669	2	SOLENOID VALVE 2/2		184
2	65732	1	ACCUMULATOR 0,32L G1/2"		-
3	A446816	1	HYDR. HOSE L=800		-
4	A450402	1	HYDR. HOSE L=1270		-
5	A445697	1	HYDR. HOSE L=1100		-
6	A446813	1	HYDR. HOSE L=1650		-
7	A450398	1	O-RING D23.47X2.62		-
8	73047	1	USIT SEAL RING R/12"		-
9	73379	1	USIT-COMPRESSION 3/8"		-
10	73408	1	REDUCTOR NIPPLE R3/8"-1/2"		-
11	74478	2	HEXAGONAL HEAD SCREW M6* 55		-
12	A429200	2	HEXAGONAL SERRATED SCREW M8*16 WITH		-
13	A437190	1	SWITCH SMOOTH DRIVE		-

27.3.2024

# A449669 SOLENOID VALVE 2/2



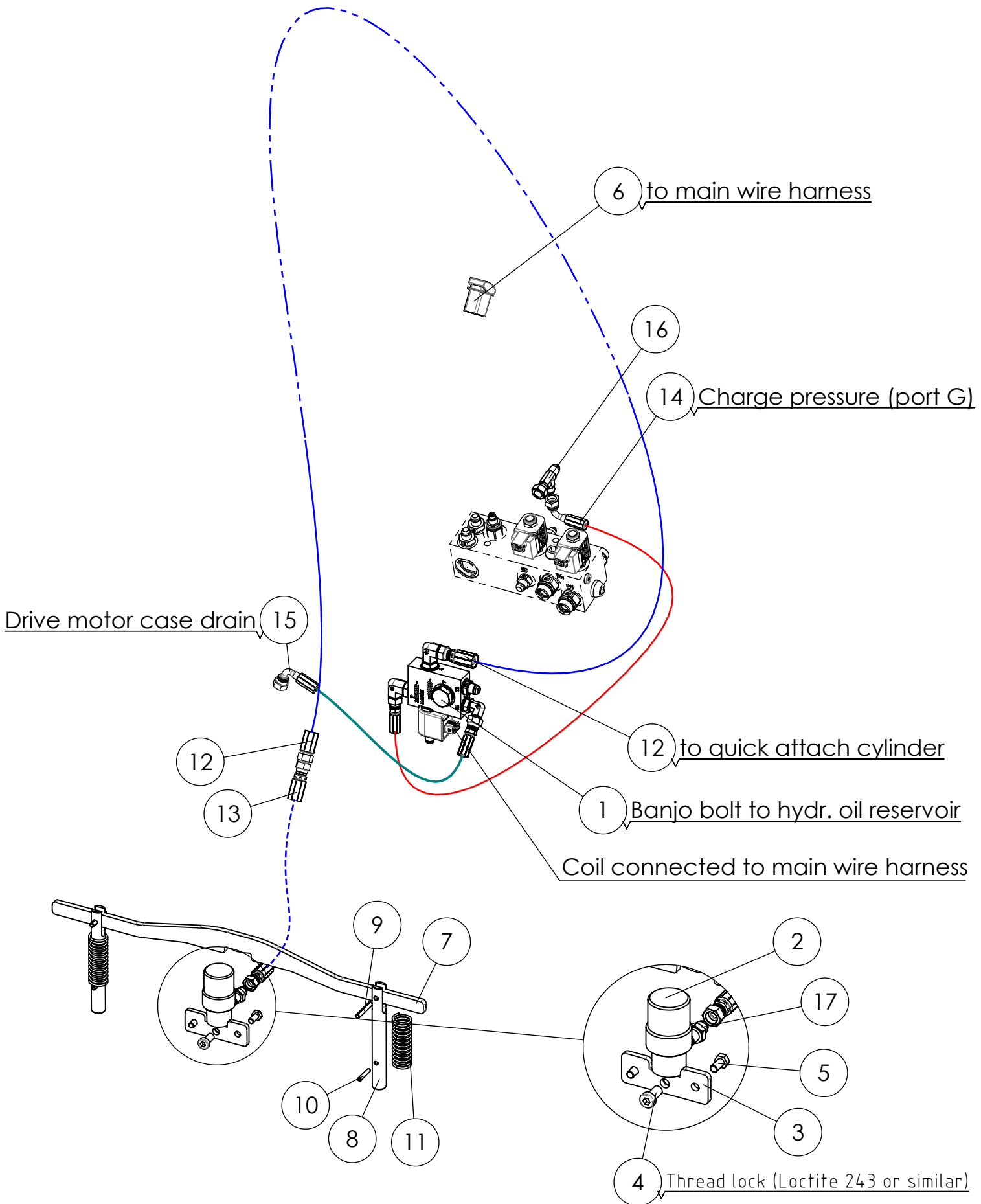


27.3.2024

**A449669 SOLENOID VALVE 2/2**

REF	PART NO	QTY	DESCRIPTION	NOTES	PAGE
1	A449737	1			-
2	A449739	1			-
3	64041	2	BASIC FITTING F40XS10-3/8 /8		-

# A450470 HYDRAULIC ATTACHMENT COUPLING PLATE 700

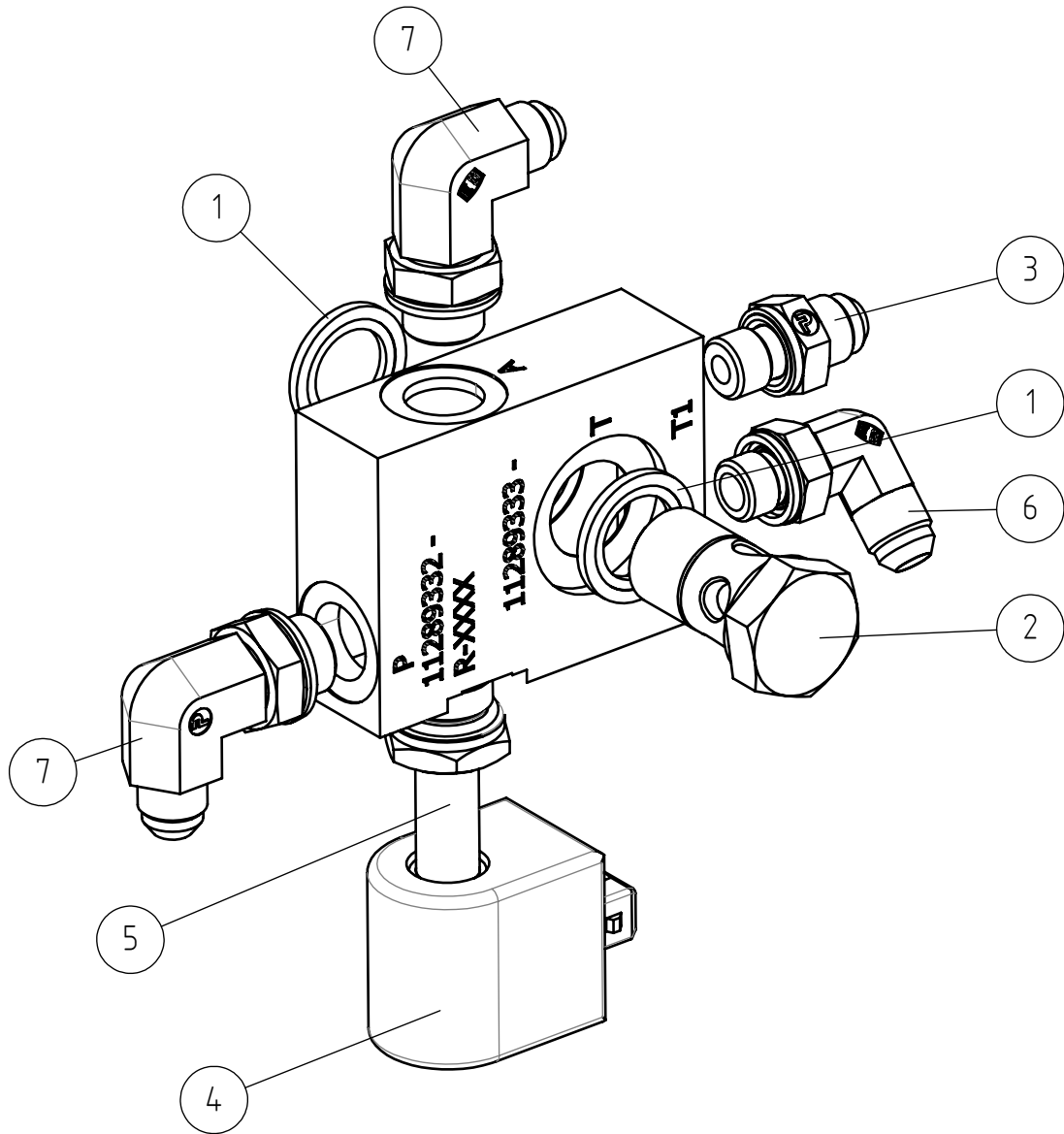


27.3.2024

**A450470 HYDRAULIC ATTACHMENT COUPLING PLATE 700**

REF	PART NO	QTY	DESCRIPTION	NOTES	PAGE
1	A449703	1	VALVE ASSEMBLY HYDR. ATTACHMENT COUPLING		188
2	A425700	1	HYDRAULIC CYLINDER F35/F35-30		-
3	A424829	1	MOUNTING BRACKET CYLINDER HYDR.		-
4	74752	1	HEXAGONAL HEAD SCREW M10*20 DIN 7984 ZN		-
5	73039	2	HEXAGONAL SCREW M 8*16 DIN 933 ZN		-
6	A430996	1	SWITCH, HYDR. ATTACHMENT COUPLING		-
7	A424886	1	CONNECTING ROD HYDR. ATTACHMENT COUPLING		-
8	A410803	2	LOCKING PIN F20, HYDR. ATTACHM COUPLING		-
9	71793	2	SPRING COTTER PIN 6 * 40		-
10	73661	2	SPRING PIN 5*30 DIN 1481		-
11	A430549	2	COMPRESSION SPRING 27,5XD28/D23		-
12	A430210	1	HYDR. HOSE L=5600		-
13	A430203	1	HYDR. HOSE L=400		-
14	A415120	1	HYDR. HOSE L=750		-
15	A410017	1	HYDR. HOSE L=400		-
16	64078	1	L-FITTING BODY R6XS10		-
17	64059	1	BASIC FITTING F40XS10-1/4		-

# A449703 VALVE ASSEMBLY HYDR. ATTACHMENT COUPLING



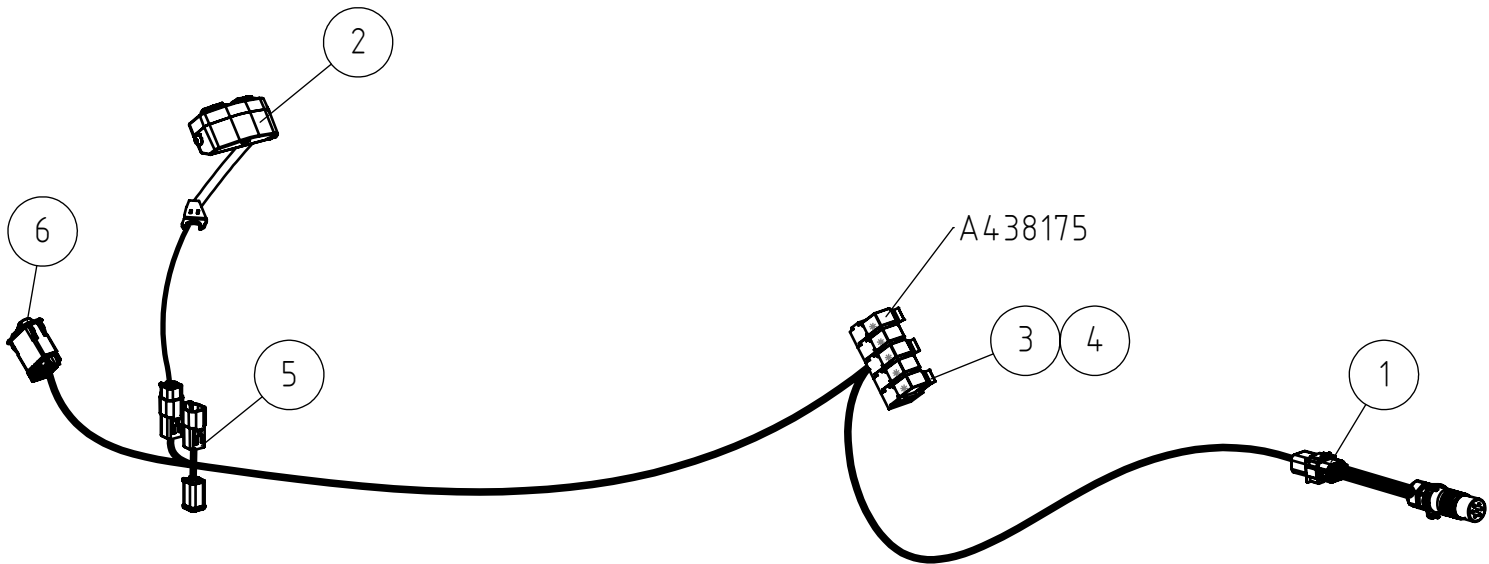
27.3.2024

**A449703 VALVE ASSEMBLY HYDR. ATTACHMENT COUPLING**

REF	PART NO	QTY	DESCRIPTION	NOTES	PAGE
1	73047	2	USIT SEAL RING R/12"		-
2	73959	1	BANJO BOLT R 1/2"		-
3	64059	1	BASIC FITTING F40XS10-1/4		-
4	A449743	1	SOLENOID 12V/20W		-
5	A449744	1			-
6	64087	1	ELBOW FITTING 90 DEGR. /4#		-
7	64044	2	ELBOW FITTING 90° C40XS10-3/8 /8		-

27.3.2024

# A454145 ATTACHMENT CONTROL SWITCH PACK



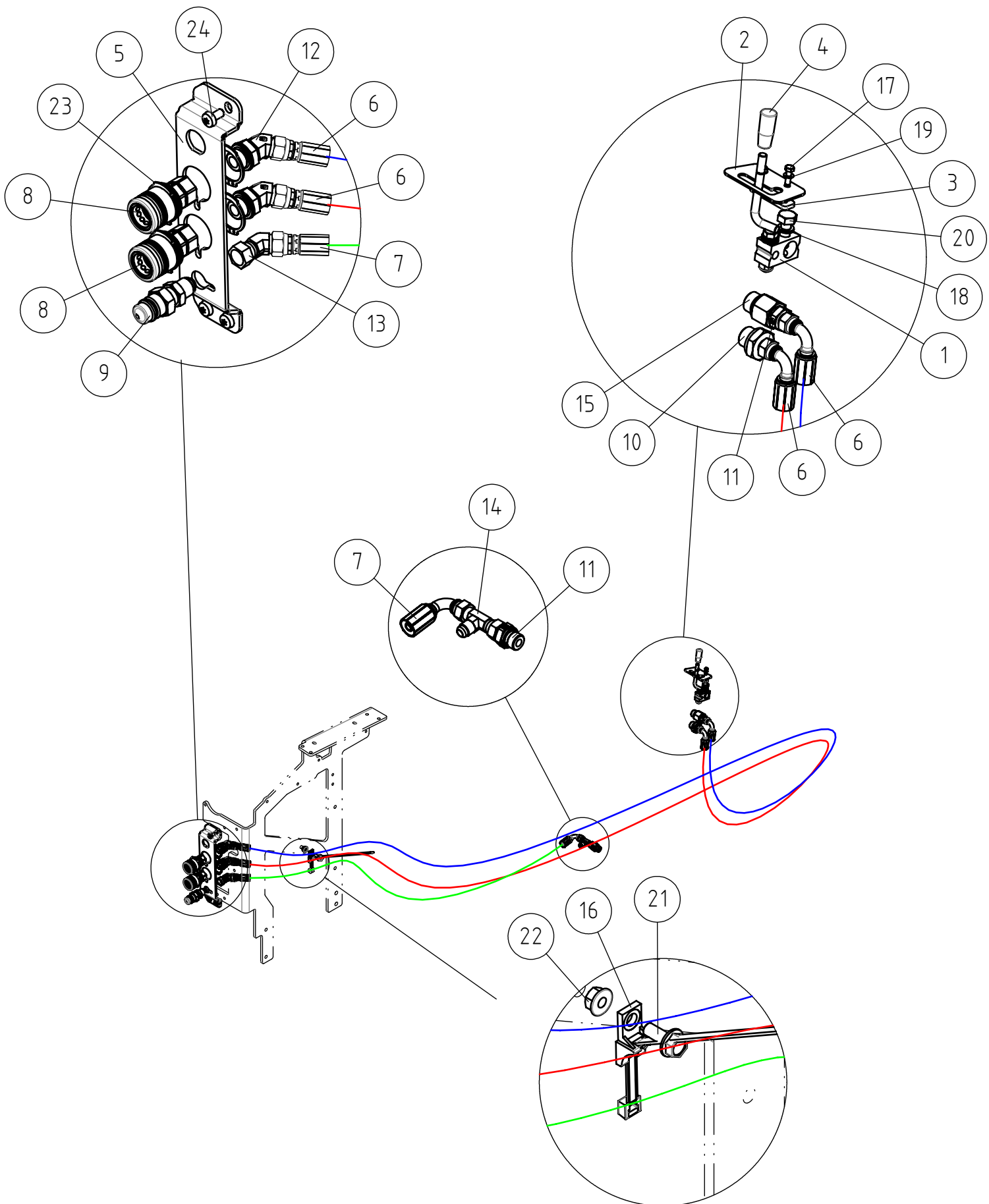
27.3.2024

**A454145 ATTACHMENT CONTROL SWITCH PACK**

REF	PART NO	QTY	DESCRIPTION	NOTES	PAGE
1	A445731	1	CONNECTING CABLE OPTICONTROL L=3100		-
2	A34716	1	SWITCH PACK		-
2.1	65431	1	ROCKER SWITCH 0-1, BLACK, 180.1146		-
2.2	65408	2	ROCKER SWITCH, BLACK, JOYSTICK		-
3	75172	3	SPEED NUT M5 FOR 0.5-4.0 MM PLATE		-
4	75160	3	HEXAGONAL SCREW M5*10 DIN 933		-
5	A449852	1	WIRE HARNESS OPTICONTROL		-
5.1	A438175	5	RELAY 12V/30A		-
6	A437343	1	ROCKER SWITCH OPTICONTROL		-

27.3.2024

# A450467 AUX. HYDRAULICS OUTLET REAR DOUBLE





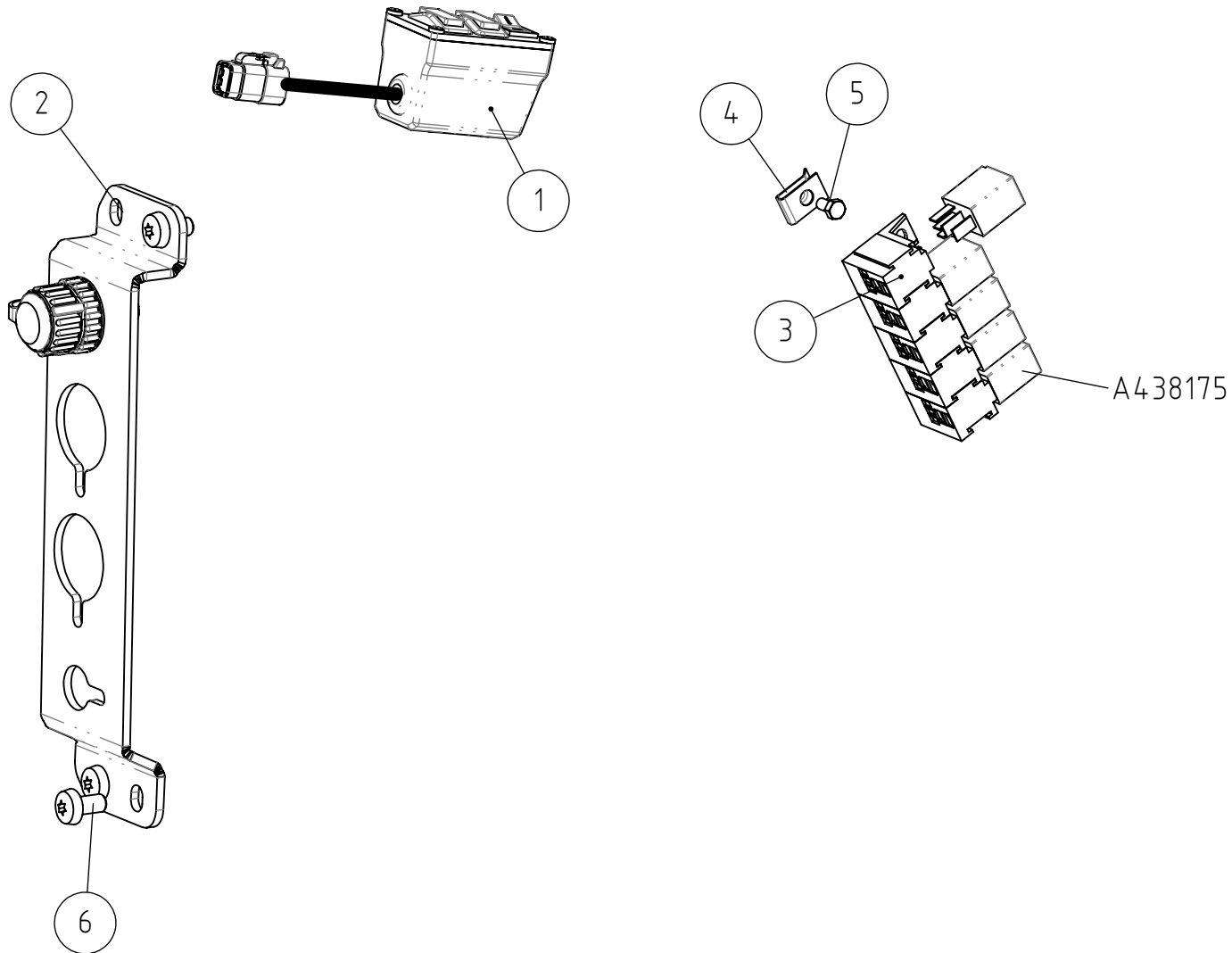
27.3.2024

**A450467 AUX. HYDRAULICS OUTLET REAR DOUBLE**

REF	PART NO	QTY	DESCRIPTION	NOTES	PAGE
1	A436758	1	CONTROL LEVER REAR AUX. HYDRAULICS,		-
2	A441528	1	LOCKING PLATE CONTROL LEVER AUXILIARY		-
3	A48360	1	LOCKING PIECE		-
4	74761	1	KNOB, CONTROL LEVER		-
5	A435340	1	MOUNTING BRACKET QUICK COUPLERS REAR		-
6	A451601	2	HYDR. HOSE L=3100		-
7	A429507	1	HYDR. HOSE L=1600		-
8	A444063	2	QUICK COUPLER 1/2" (FEMALE)		-
9	64189	1	QUICK COUPLING MALE UNION 1/2" 4V14-T5X4		-
10	64040	1	BASIC FITTING F40XS10-1/2 /2		-
11	64041	2	BASIC FITTING F40XS10-3/8 /8		-
12	65275	2	ELBOW FITTING 45 DEGR. V40XS12-1/2		-
13	64884	1	ELBOW FITTING 45 DEGR. V6SX12		-
14	64078	1	L-FITTING BODY R6XS10		-
15	73958	1	REDUCER FITTING RI 1/2" - EDX 3/8"		-
16	A442641	1	CABLE TIE 7,6*390 M8 BLACK		-
17	72110	2	HEX. SCREW M5*16 DIN 933		-
18	74531	1	SPACER NORDLOCK M10, PAIR		-
19	74448	2	WASHER M5 A5,3 DIN 125 ZN		-
20	72151	1	HEXAGONAL SCREW M10*30 DIN 933 ZN		-
21	A429201	1	HEXAGONAL SERRATED SCREW M8*20 WITH		-
22	A450046	1	HEXAGONAL NUT M8 WITH FLANGE		-
23	74769	4	SEEGER RING A 38*1,75 DIN 471		-
24	A442270	3	THREAD-FORMING SCREW M8*16 DIN 7500C		-

27.3.2024

# A453712 ATTACHMENT CONTROL SWITCH PACK FOR REAR



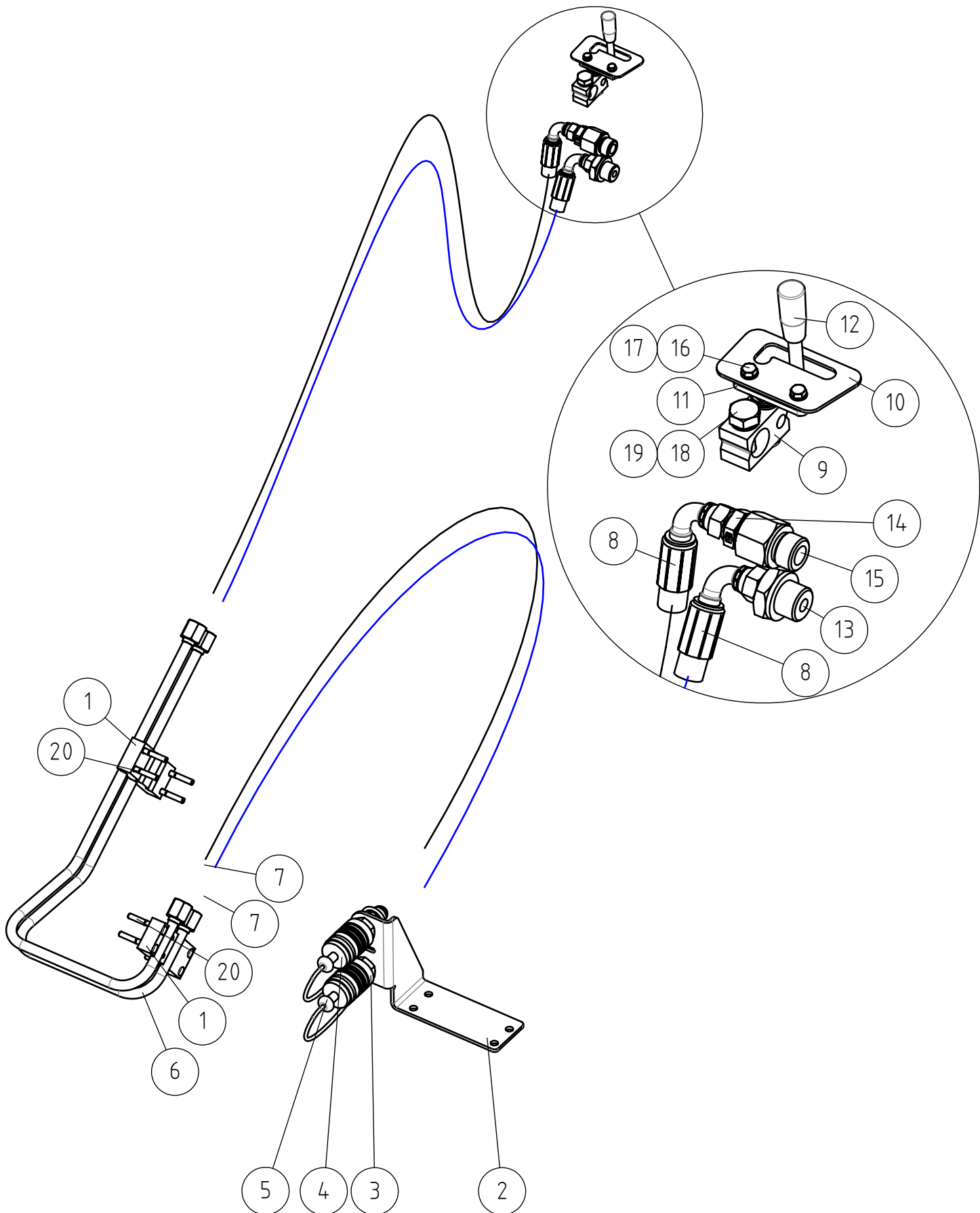
27.3.2024

**A453712 ATTACHMENT CONTROL SWITCH PACK FOR REAR**

REF	PART NO	QTY	DESCRIPTION	NOTES	PAGE
1	A431737	1	SWITCH KIT, CONTROL SWITCH PACK REAR		-
2	A435340	1	MOUNTING BRACKET QUICK COUPLERS REAR		-
3	A448283	1			-
4	75172	3	SPEED NUT M5 FOR 0.5-4.0 MM PLATE		-
5	75160	3	HEXAGONAL SCREW M5*10 DIN 933		-
6	A442270	3	THREAD-FORMING SCREW M8*16 DIN 7500C		-

27.3.2024

# A450468 EXTRA AUX. HYDRAULICS OUTLET FRONT,

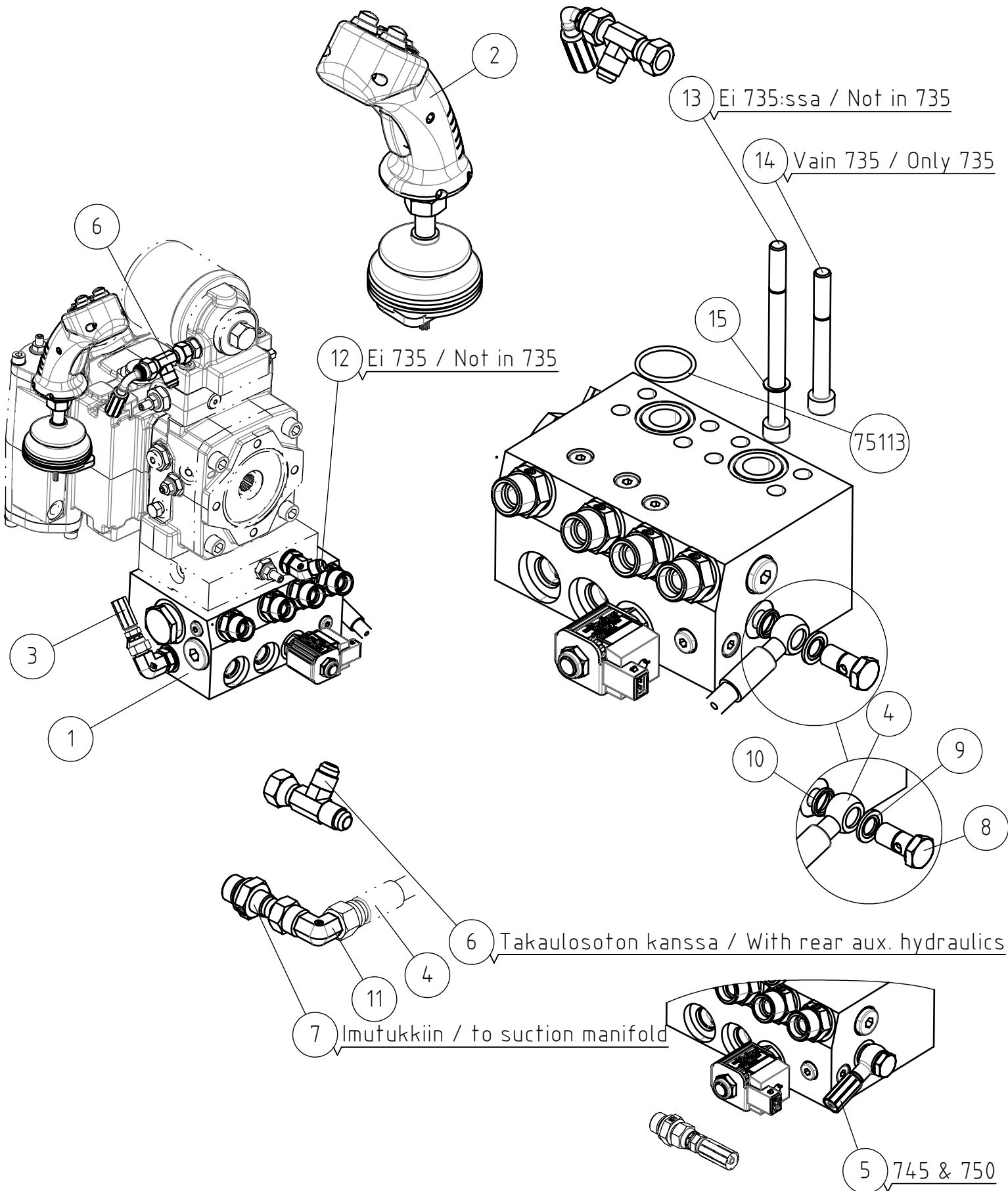


27.3.2024

**A450468 EXTRA AUX. HYDRAULICS OUTLET FRONT,**

REF	PART NO	QTY	DESCRIPTION	NOTES	PAGE
1	A414870	2	PIPE CLAMP F12		-
2	A422154	1	MOUNTING PLATE QUICK COUPLERS EXTRA		-
3	64190	2	QUICK COUPLING PART 1/2" 2V54-T5X4 FEMAL		-
4	73754	1	RUBBER PLUG 1/2", TO FEMALE QUICK COUPLE		-
5	65566	1	RUBBER PLUG BLUE 1/2", QUICK COUPLING		-
6	A414928	2	HYDRAULIC TUBE F12		-
7	A414877	2	HYDR. HOSE L=1300		-
8	A47638	2	HYDR. HOSE L=1610 2LW-06		-
9	A436758	1	CONTROL LEVER REAR AUX. HYDRAULICS,		-
10	A441528	1	LOCKING PLATE CONTROL LEVER AUXILIARY		-
11	A48360	1	LOCKING PIECE		-
12	74761	1	KNOB, CONTROL LEVER		-
13	64040	1	BASIC FITTING F40XS10-1/2 /2		-
14	64041	1	BASIC FITTING F40XS10-3/8 /8		-
15	73958	1	REDUCER FITTING RI 1/2" - EDX 3/8"		-
16	72110	2	HEX. SCREW M5*16 DIN 933		-
17	74448	2	WASHER M5 A5,3 DIN 125 ZN		-
18	72151	1	HEXAGONAL SCREW M10*30 DIN 933 ZN		-
19	74531	1	SPACER NORDLOCK M10, PAIR		-
20	74438	8	HEXAGONAL HEAD SCREW M6*40 DIN 912		-

# A455810 ANTI SLIP VALVE 700 & 800 SERIES



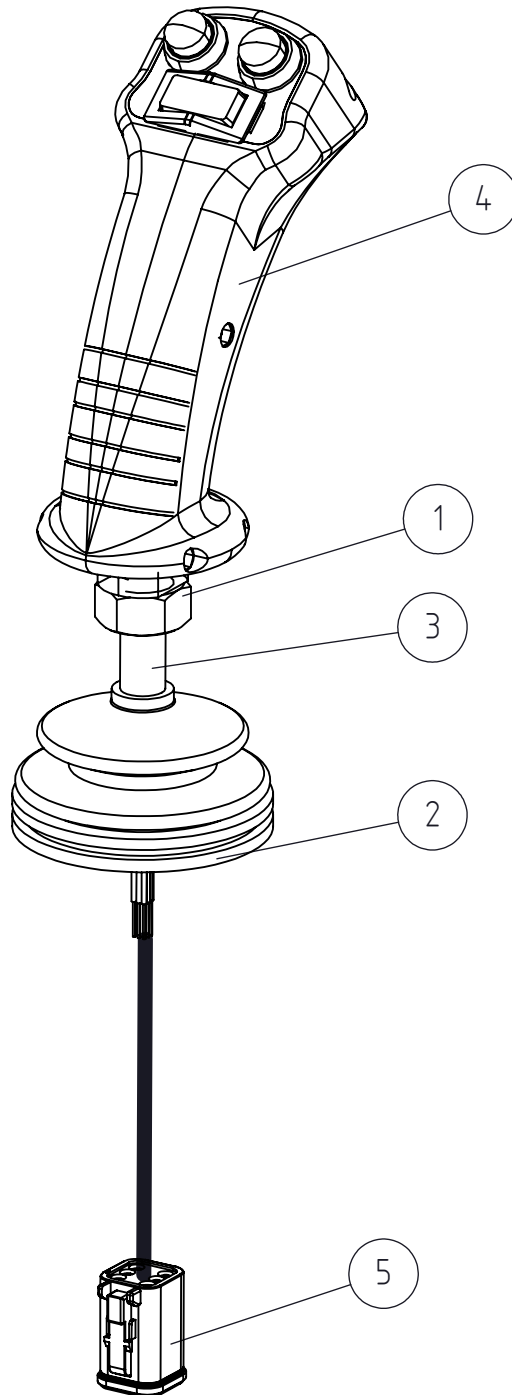
27.3.2024

**A455810 ANTI SLIP VALVE 700 & 800 SERIES**

REF	PART NO	QTY	DESCRIPTION	NOTES	PAGE
1	A451904	1	HYDRAULIC MANIFOLD ANTI SLIP VALVE		-
2	A435400	1	JOYSTICK 8 FUNCTION WITH ANTI SLIP		200
2.1	65406	1	PUSHBUTTON, RED, AUX. HYDR. JOYSTICK		-
2.2	65407	1	PUSHBUTTON, BLUE, JOYSTICK, AUX. HYDR.		-
2.3	65408	1	ROCKER SWITCH, BLACK, JOYSTICK		-
3	A410094	1	HYDR. HOSE L=350		-
4	A428736	1	HYDR. HOSE L=400		-
5	A454837	1	HYDR. HOSE L=265		-
6	64078	2	L-FITTING BODY R6XS10		-
7	64041	2	BASIC FITTING F40XS10-3/8 /8		-
8	64557	1	BANJO BOLT R 1/4"		-
9	73757	1	USIT COMPRESSION R1/4"		-
10	A462237	1	SEALING RING 18/13,25 H=3		-
11	64043	1	ELBOW FITTING 90° C6XS10		-
12	65644	1	ELBOW FITTING 45° V40XS10-1/4		-
13	A452931	8	HEXAGONAL HEAD SCREW M10*130 12.9		-
14	A450240	8	HEXAGONAL HEAD SCREW M10*90 12.9 DIN 912		-
15	A434424	8	SAFETY WASHER M10 3/8"		-

27.3.2024

# A435400 JOYSTICK 8 FUNCTION WITH ANTI SLIP





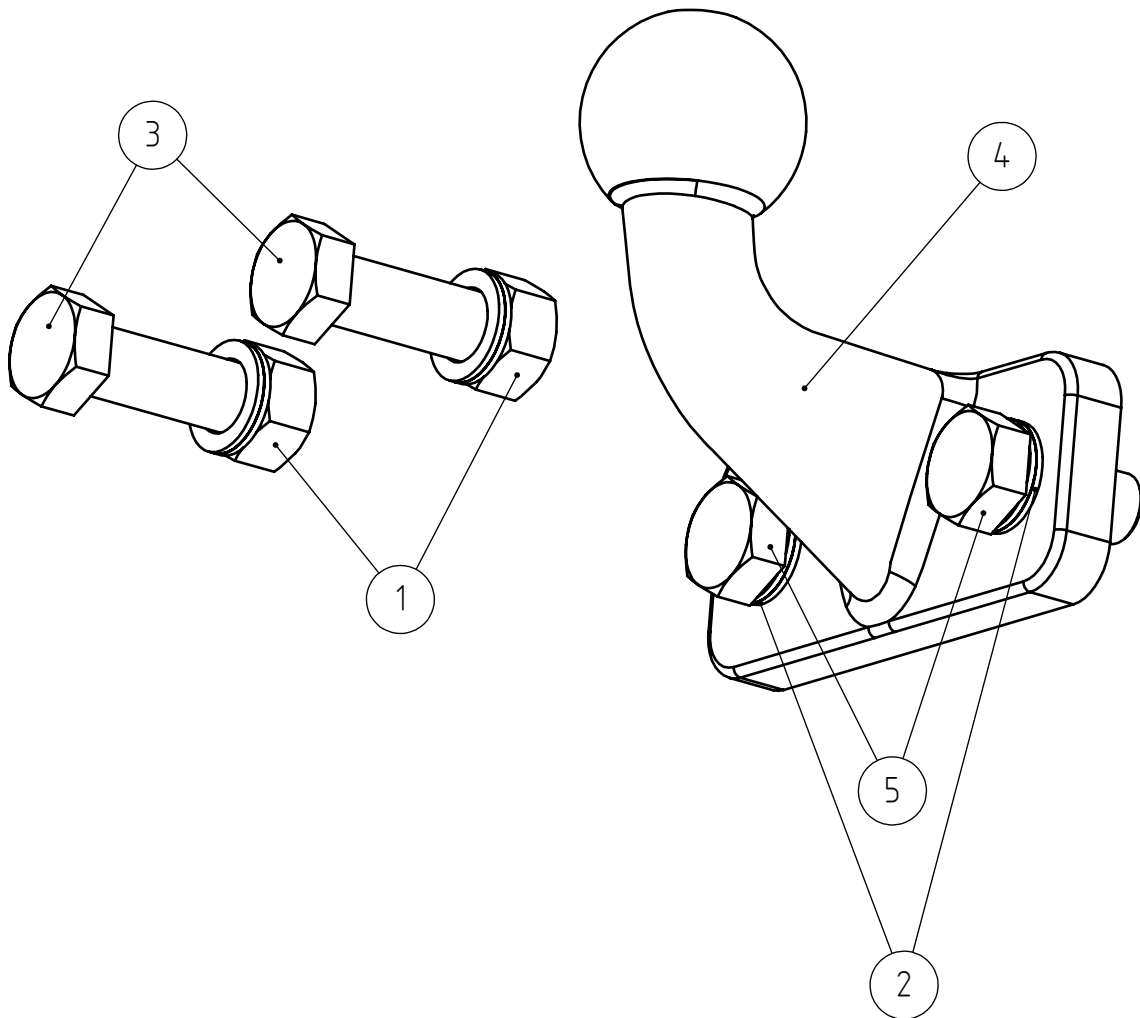
27.3.2024

**A435400 JOYSTICK 8 FUNCTION WITH ANTI SLIP**

REF	PART NO	QTY	DESCRIPTION	NOTES	PAGE
1	74676	1	HEXAGONAL NUT M 14*1,5 DIN 934 ZN		-
2	74327	1	RUBBER COVER, CONTROL LEVER, F12/56*40		-
3	A410614	1	BRACKET ROD, CONTROL LEVER		-
4	65262	1	JOYSTICK HANDLE 8-FUNC WITH ANTI SLIP SW		-
5	A426057	1	CONNECTOR PLUG 6 PIN DT06-6S DEUTSCH		-
-	65406	1	PUSHBUTTON, RED, AUX. HYDR. JOYSTICK		-
-	65407	1	PUSHBUTTON, BLUE, JOYSTICK, AUX. HYDR.		-
-	65408	1	ROCKER SWITCH, BLACK, JOYSTICK		-

27.3.2024

# A417323 BALL HITCH, REAR, 50 MM COMPLETE ASSEMBLY



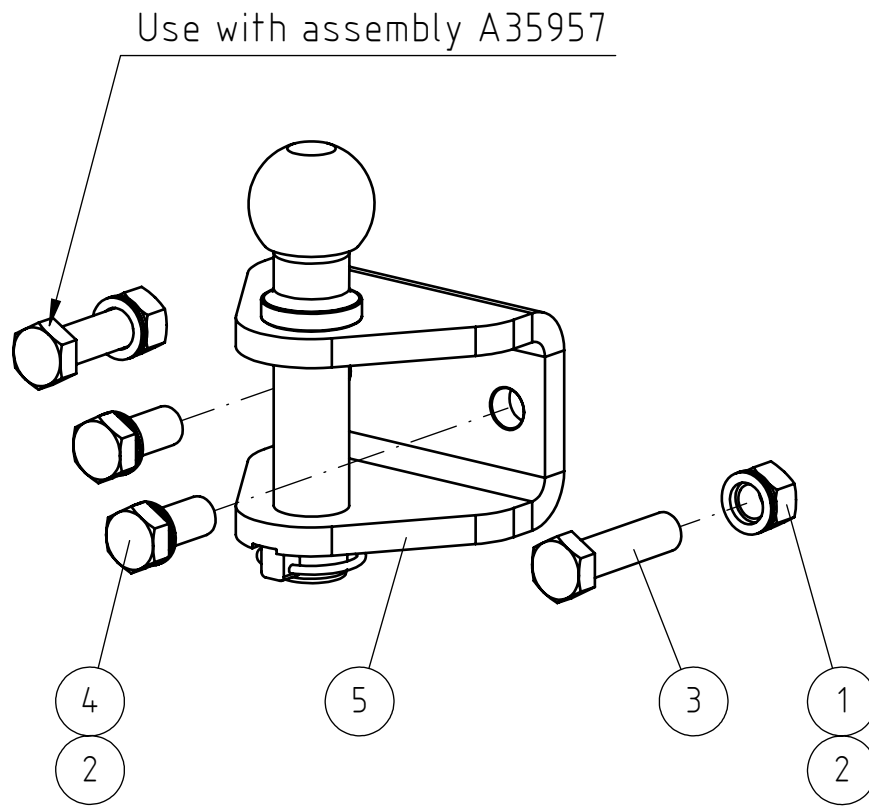
27.3.2024

**A417323 BALL HITCH, REAR, 50 MM COMPLETE ASSEMBLY**

REF	PART NO	QTY	DESCRIPTION	NOTES	PAGE
1	72329	2	HEXAGONAL NUT M 16 DIN 934		-
2	74533	4	WASHER, PAIR, M16 NL16 NORDLOCK		-
3	73569	2	HEXAGONAL SCREW M16* 60 DIN 933		-
4	65901	1	BALL HITCH 50MM		-
5	74799	2	HEXAGONAL SCREW M16*35 DIN 933		-

27.3.2024

# A417337 BALL HITCH, REAR, 50MM WITH TOWING PIN



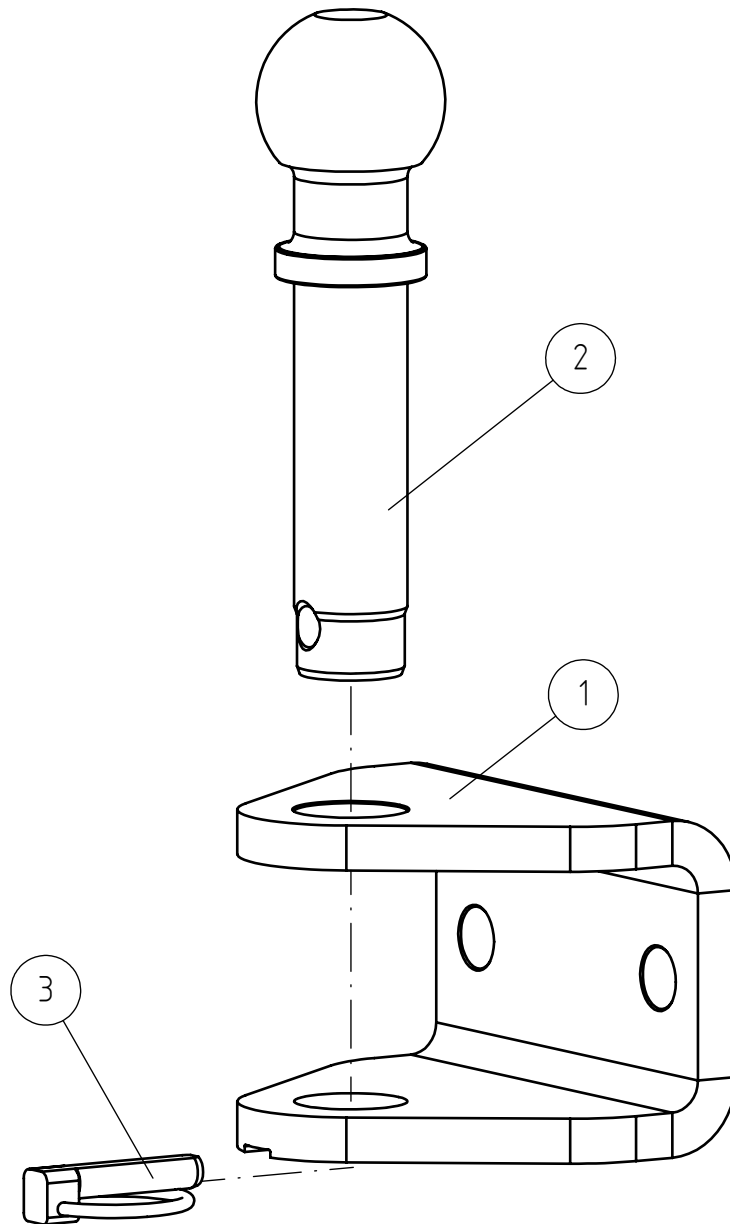
27.3.2024

**A417337 BALL HITCH, REAR, 50MM WITH TOWING PIN**

REF	PART NO	QTY	DESCRIPTION	NOTES	PAGE
1	72329	2	HEXAGONAL NUT M 16 DIN 934		-
2	74533	4	WASHER, PAIR, M16 NL16 NORDLOCK		-
3	73569	2	HEXAGONAL SCREW M16* 60 DIN 933		-
4	74799	2	HEXAGONAL SCREW M16*35 DIN 933		-
5	A444928	1	BALL HITCH REAR WITH TOWING PIN F50		206

27.3.2024

**A444928 BALL HITCH REAR WITH TOWING PIN F50**



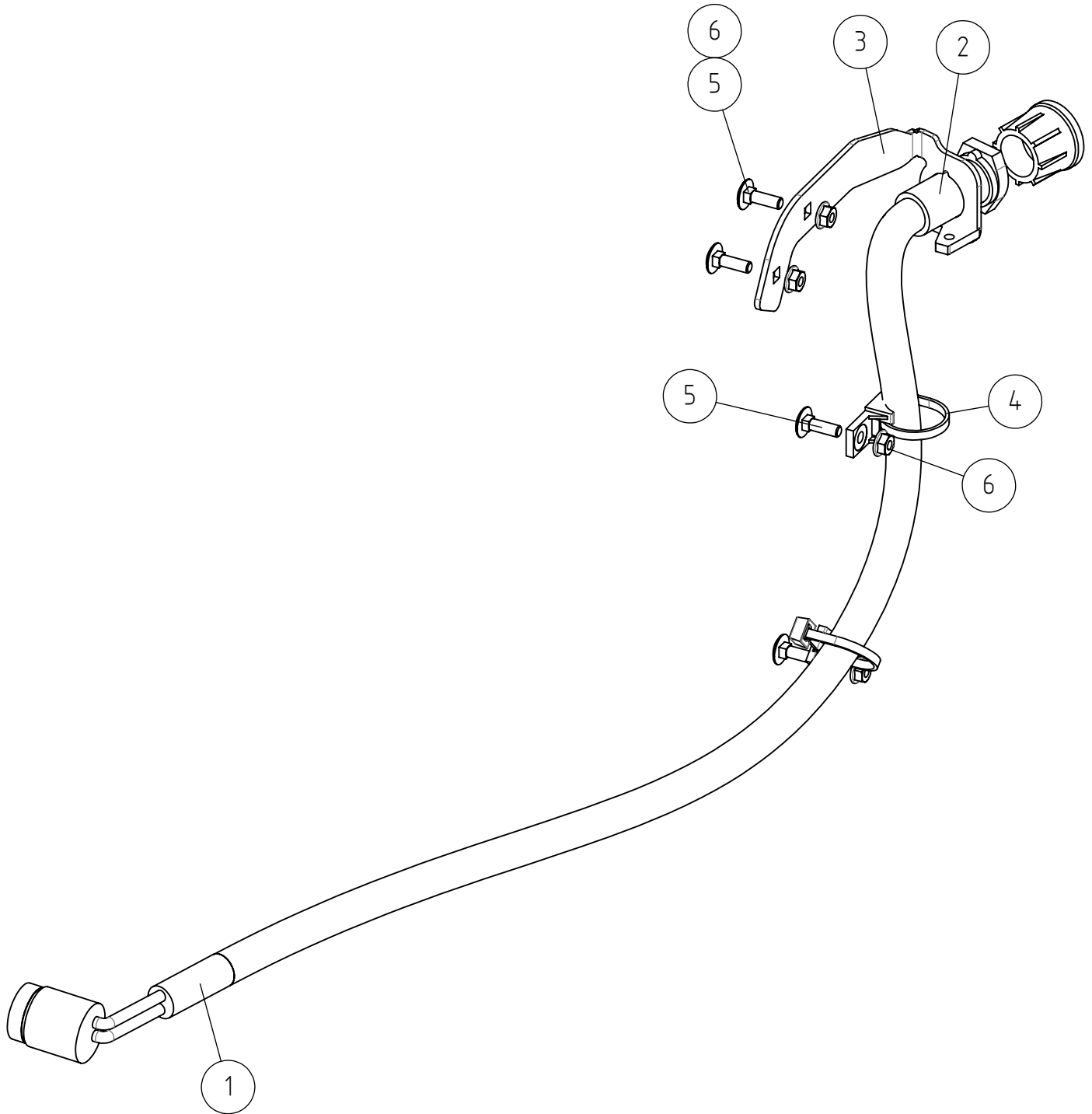
27.3.2024

**A444928 BALL HITCH REAR WITH TOWING PIN F50**

REF	PART NO	QTY	DESCRIPTION	NOTES	PAGE
1	A444926	1	MOUNTING BRACKET TOWING PIN		-
2	A443223	1	TOWING PIN WITH 50MM BALL HITCH		-
3	71727	1	LINCH PIN 9,5 MM		-

27.3.2024

# A458197 ENGINE BLOCK HEATER 635I/640I/735I





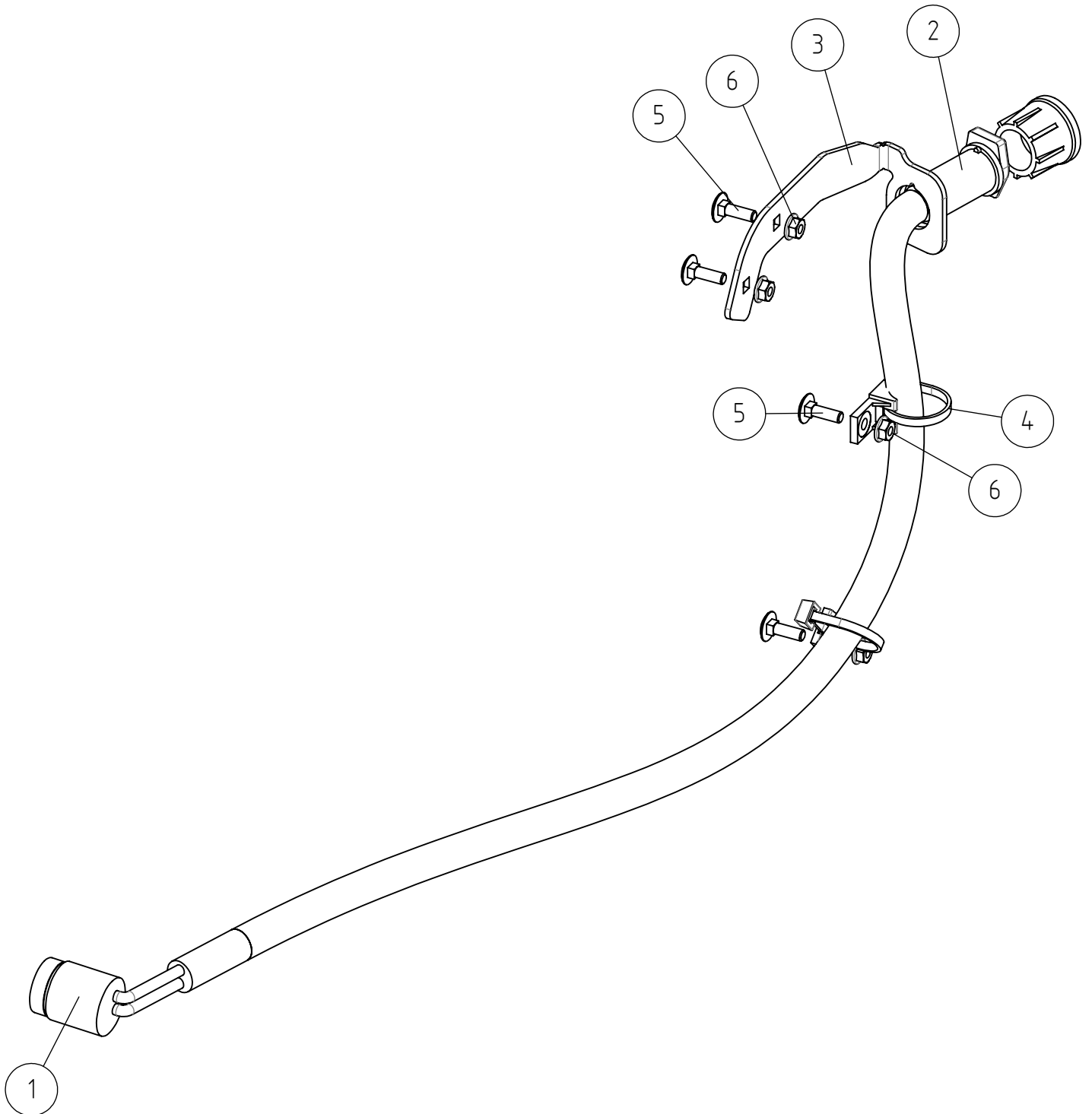
27.3.2024

**A458197 ENGINE BLOCK HEATER 635I/640I/735I**

REF	PART NO	QTY	DESCRIPTION	NOTES	PAGE
1	64469	1	HEATER ELEMENT, ENGINE HEATE DEFA 411122		-
2	64470	1	CONNECTING LEAD DEFA 460992 BLOCK HEATER		-
3	A458731	1	MOUNTING BRACKET CABLE ENGINE BLOCK		-
4	A442639	2	CABLE TIE 7,6*390 M6 BLACK		-
5	74913	4	CARRIAGE BOLT M6*20 DIN603		-
6	A452923	4	HEXAGONAL NUT M6 DIN 6923		-

27.3.2024

**A458198 ENGINE BLOCK HEATER 635I/640I/735I 110V**



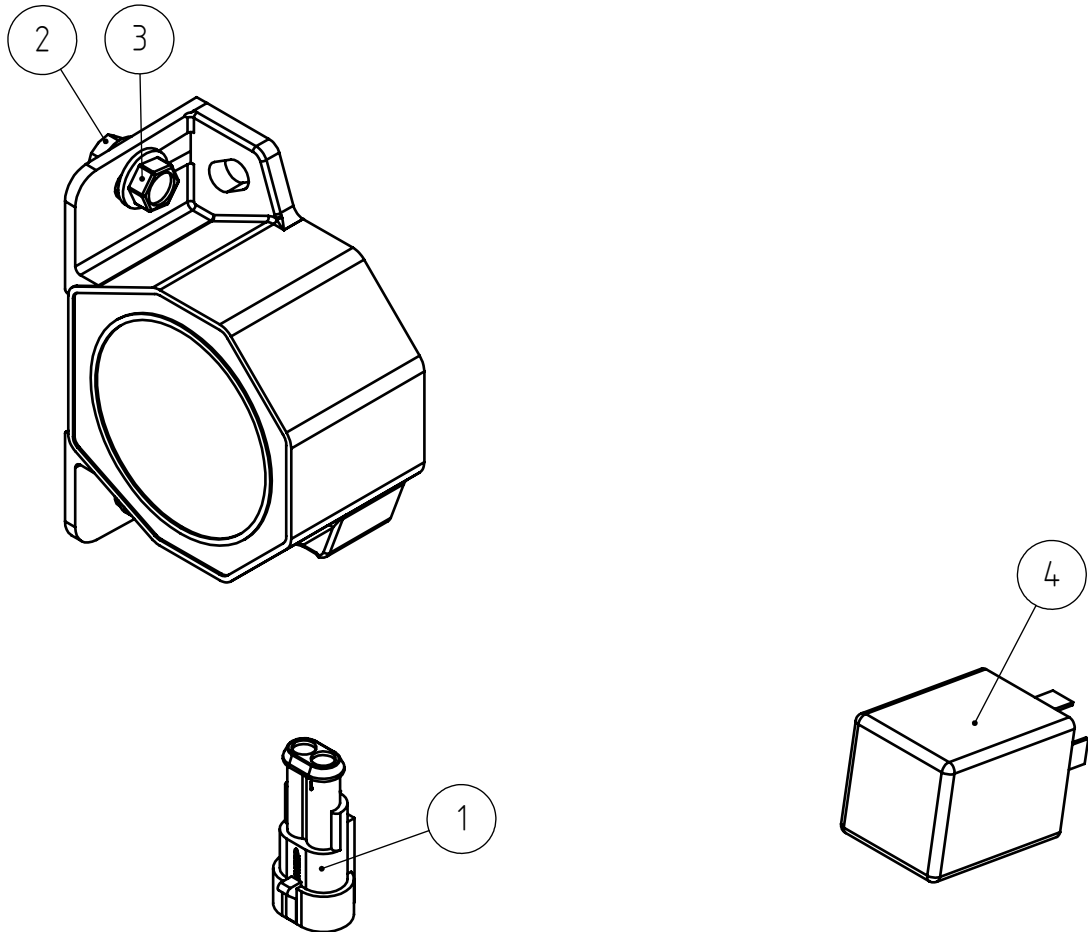
27.3.2024

**A458198 ENGINE BLOCK HEATER 635I/640I/735I 110V**

REF	PART NO	QTY	DESCRIPTION	NOTES	PAGE
1	A434645	1	HEATER ELEMENT 120V/600W ENGINE		-
2	A434642	1	CABLES, KIT, ENGINE BLOCK HEATER		-
3	A458731	1	MOUNTING BRACKET CABLE ENGINE BLOCK		-
4	A442639	2	CABLE TIE 7,6*390 M6 BLACK		-
5	74913	4	CARRIAGE BOLT M6*20 DIN603		-
6	A452923	4	HEXAGONAL NUT M6 DIN 6923		-

27.3.2024

**A453737 REVERSE BEEPER, KIT, 500, 600, 735-750,**



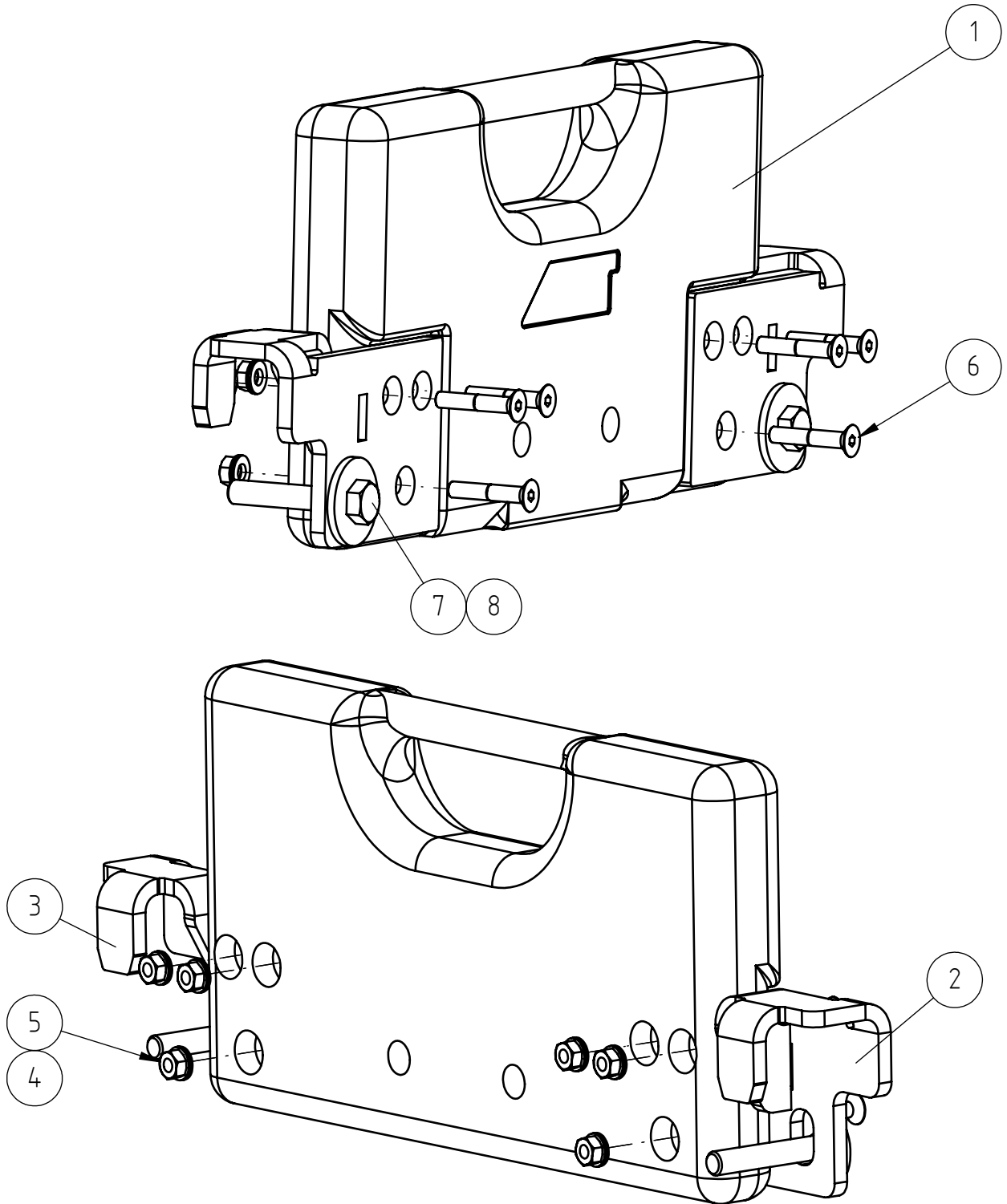
27.3.2024

**A453737 REVERSE BEEPER, KIT, 500, 600, 735-750,**

REF	PART NO	QTY	DESCRIPTION	NOTES	PAGE
1	A430858	1	REVERSE BEEPER WITH WIRE		-
2	A452923	2	HEXAGONAL NUT M6 DIN 6923		-
3	A431968	2	HEXAGONAL SERRATED SCREW M6*12 WITH		-
4	A442381	1	RELAY PROGRAMMABLE ICCS MICRO		-

27.3.2024

**A35957 REAR WEIGHT 29 KG WITH HANDLE, CAST IRON**



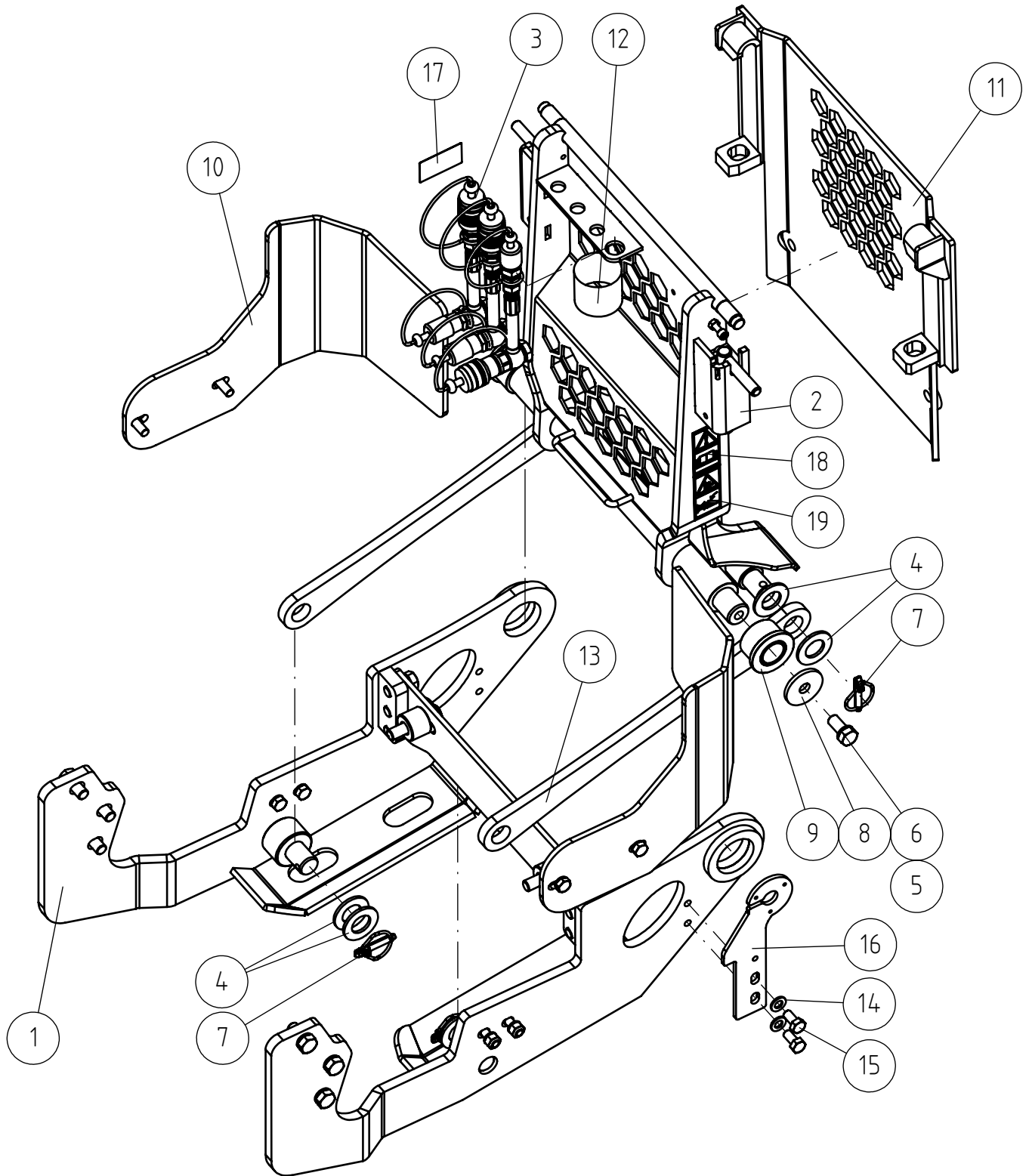
27.3.2024

**A35957 REAR WEIGHT 29 KG WITH HANDLE, CAST IRON**

REF	PART NO	QTY	DESCRIPTION	NOTES	PAGE
1	A416789	1	REAR WEIGHT, CAST IRON		-
2	A416794	1	MOUNTING BRACKET, LEFT, REAR WEIGHT		-
3	A416795	1	MOUNTING BRACKET, RIGHT, REAR WEIGHT		-
4	63944	6	WASHER, PAIR, NORD-LOCK M8		-
5	72319	6	HEXAGONAL NUT M8 DIN 934		-
6	74952	6	HEXAG. COUNTERSUNK HEAD SCREW M8*45		-
7	72221	2	HEXAGONAL SCREW M12*70 DIN 933		-
8	73006	2	WASHER M12 DIN 440		-

27.3.2024

# A441613 ATTACHMENT MOUNTING PLATE REAR 700





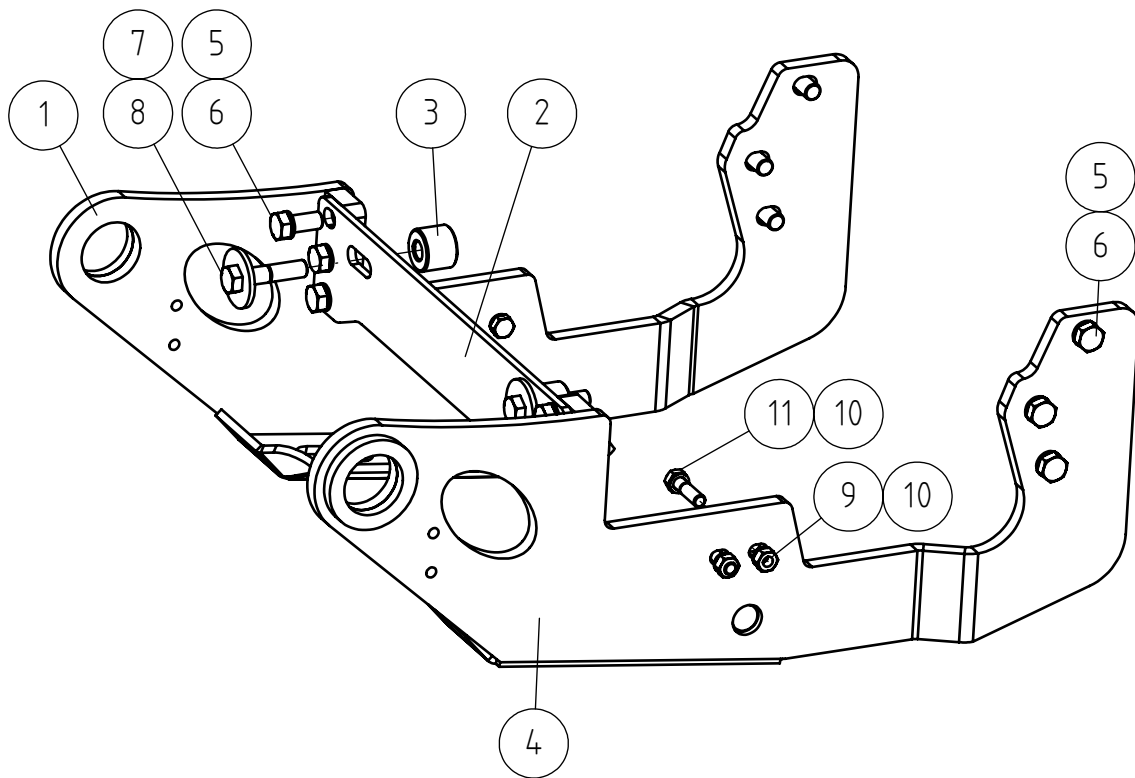
27.3.2024

**A441613 ATTACHMENT MOUNTING PLATE REAR 700**

REF	PART NO	QTY	DESCRIPTION	NOTES	PAGE
1	A429322	1	SUPPORT FRAME, HYDR. REAR LIFT 700 SER		218
2	A429332	1	FRAME, HYDRAULIC REAR LIFT 700/800 SER		220
3	A441661	1	HYDRAULIC COMPONENTS ATTACHMENT MOUNTING		-
4	74435	8	WASHER M30 A31 DIN 125 ZN		-
5	74533	2	WASHER, PAIR, M16 NL16 NORDLOCK		-
6	74799	2	HEXAGONAL SCREW M16*35 DIN 933		-
7	75060	4	LINCH PIN 9,5 MM ZN		-
8	A424484	2	WASHER S=6		-
9	A424914	2	ROLLER, HYDR. REAR LIFT 700 SERIES		222
10	A424919	1	REAR BUMPERS HYDR. REAR LIFT 700/800		224
11	A440502	1	MOUNTING PLATE, REAR BUMPER 700/800		-
12	A440498	1	PROTECTIVE HOSE EXPLOSION PROTECTION		-
13	A441662	2	ROD, ATTACHMENT MOUNTING PLATE REAR		-
14	71691	2	WASHER M12 A13 DIN 125		-
15	73041	2	HEXAGONAL SCREW M12* 25 DIN 933		-
16	A449079	1	MOUNTING BRACKET TRAILER SOCKET		-
17	A451608	1	TYPE PLATE ATTACHMENT MOUNTING PLATE		-
18	A46771	1	DECAL PICTOGR. READ OPERATORS MANUAL		-
19	A46803	1	DECAL PICTOGRAM DO NOT REACH OUT...		-

27.3.2024

**A429322 SUPPORT FRAME, HYDR. REAR LIFT 700 SER**



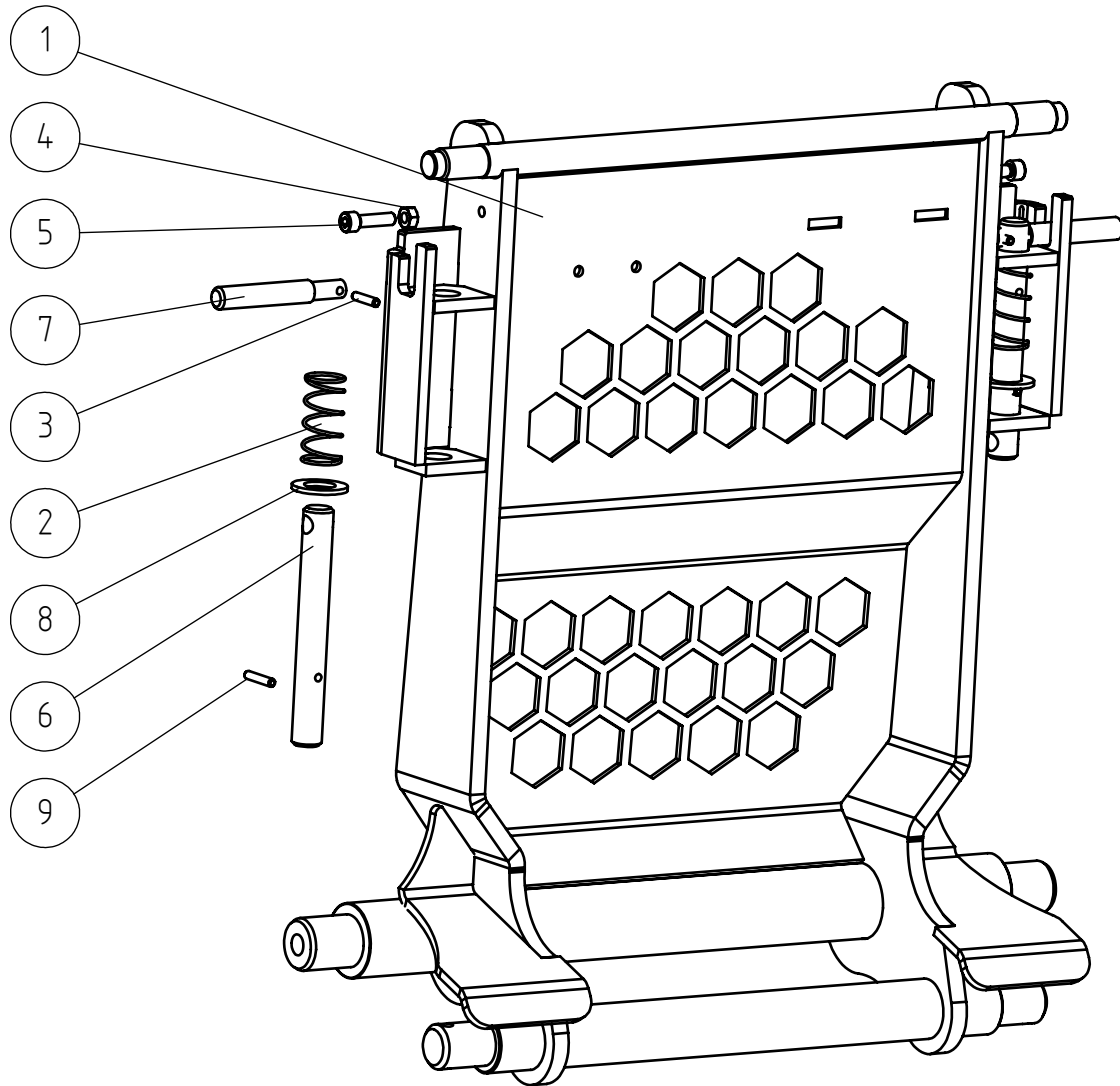
27.3.2024

**A429322 SUPPORT FRAME, HYDR. REAR LIFT 700 SER**

REF	PART NO	QTY	DESCRIPTION	NOTES	PAGE
1	A424198	1	SIDE BEAM LEFT HYDR REAR LIFT 700 SERIES		-
2	A429294	1	PLATE, HYDR. REAR LIFT 700 SERIES		-
3	A429328	2	SPACER S=32		-
4	A429364	1	SIDE BEAM RIGHT HYDR REAR LIFT 700 SER		-
5	74533	12	WASHER, PAIR, M16 NL16 NORDLOCK		-
6	74799	12	HEXAGONAL SCREW M16*35 DIN 933		-
7	74456	2	WASHER M16 R18 DIN 440 ZN		-
8	72196	2	HEXAGONAL SCREW M16*70		-
9	72323	4	HEXAGONAL NUT M12 DIN 934		-
10	74532	8	WASHER NORDLOCK NL12		-
11	72171	4	HEXAGONAL SCREW M12*45 DIN 931		-

27.3.2024

# A429332 FRAME, HYDRAULIC REAR LIFT 700/800 SER



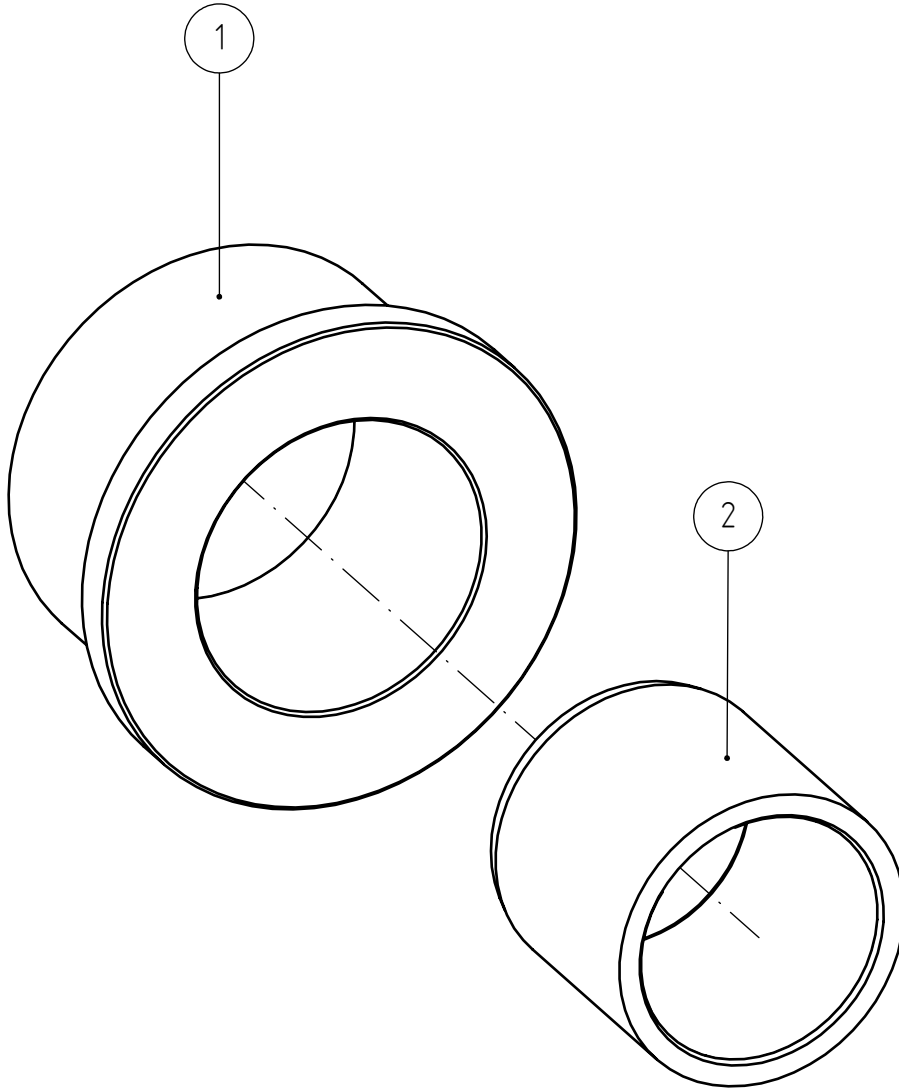
27.3.2024

**A429332 FRAME, HYDRAULIC REAR LIFT 700/800 SER**

REF	PART NO	QTY	DESCRIPTION	NOTES	PAGE
1	A427516	1	FRAME, HYDRAULIC REAR LIFT 700 SER		-
2	64138	2	COMPRESSION SPRIG DIN 2098 2*25*135		-
3	71762	2	SPRING COTTER PIN 5* 26 DIN 1481		-
4	72319	2	HEXAGONAL NUT M8 DIN 934		-
5	73100	2	HEXAGONAL HEAD SCREW M8*30 DIN 912 2		-
6	A47687	2	LOCKING PIN F20		-
7	A47688	2	LATCH PIN		-
8	73123	2	WASHER M20 DIN 125 ZN		-
9	73661	2	SPRING PIN 5*30 DIN 1481		-

---

**A424914 ROLLER, HYDR. REAR LIFT 700 SERIES**



27.3.2024

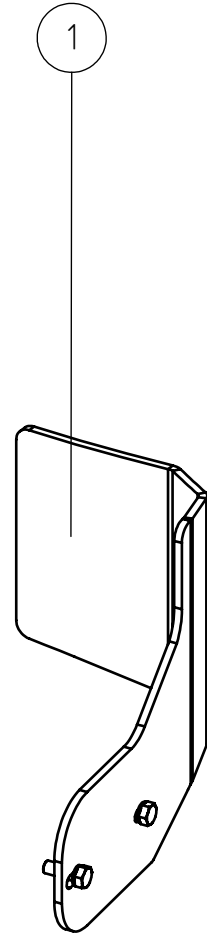
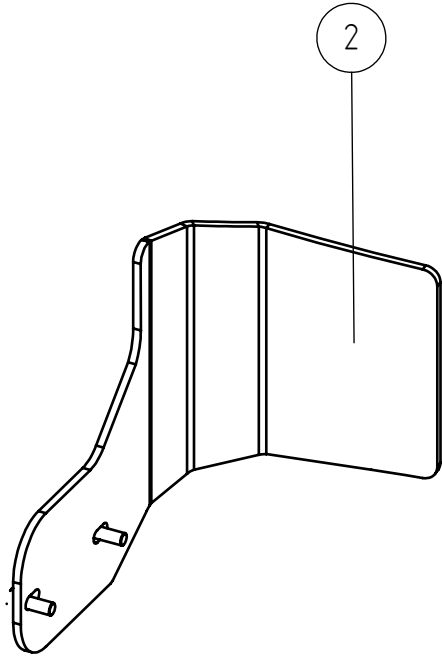
**A424914 ROLLER, HYDR. REAR LIFT 700 SERIES**

REF	PART NO	QTY	DESCRIPTION	NOTES	PAGE
1	A424475	1	ROLLER, HYDR. REAR LIFT 700/800 SER		-
2	A424862	1	SLIDE BEARING 42/35-40		-

27.3.2024

---

**A424919 REAR BUMPERS HYDR. REAR LIFT 700/800**





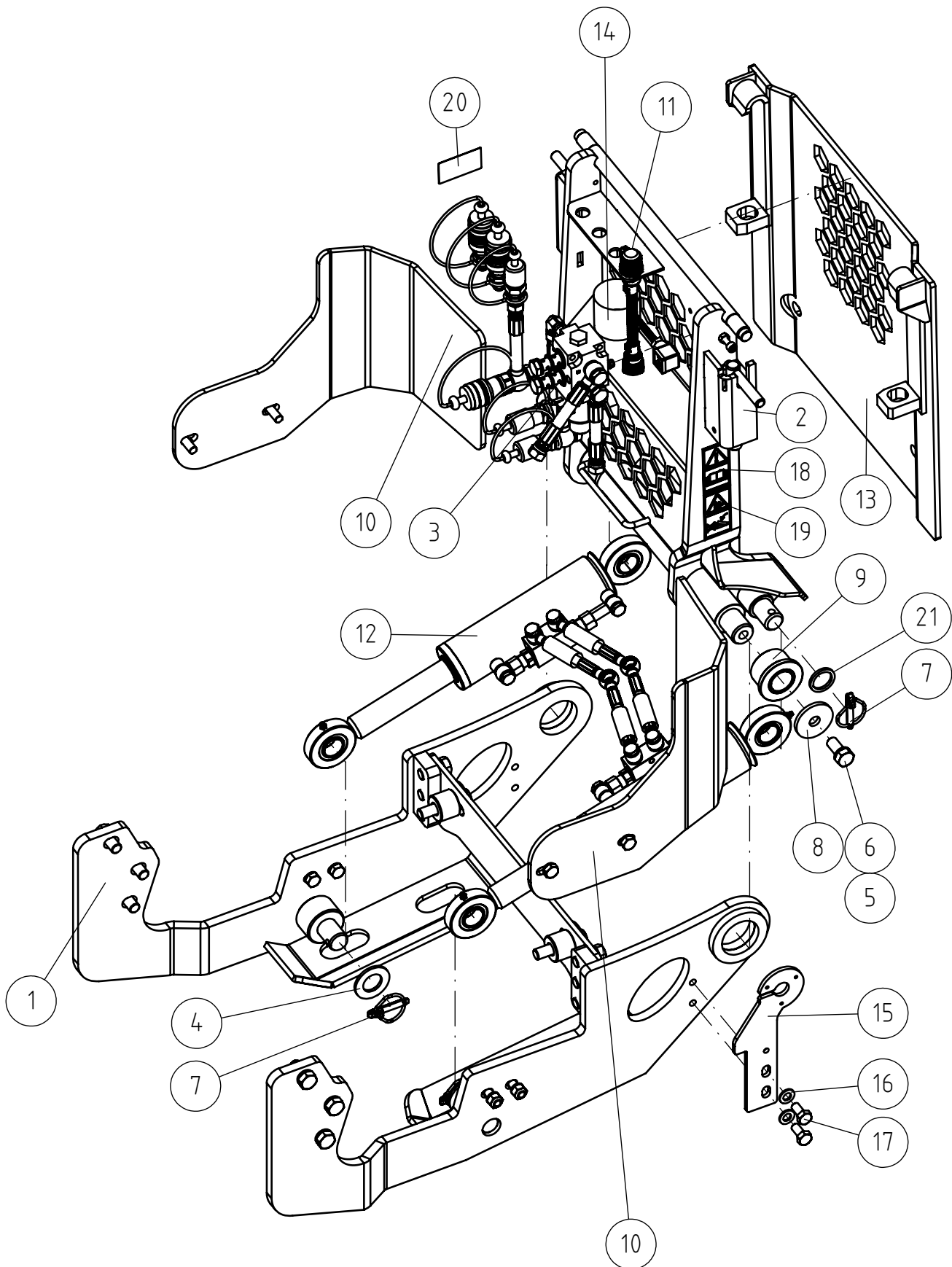
27.3.2024

**A424919 REAR BUMPERS HYDR. REAR LIFT 700/800**

REF	PART NO	QTY	DESCRIPTION	NOTES	PAGE
1	A424514	1	REAR BUMPER LEFT REAR LIFT 700/800		-
2	A424515	1	REAR BUMPER RIGHT REAR LIFT 700/800		-

27.3.2024

# A427547 HYDRAULIC REAR LIFT 700 SERIES



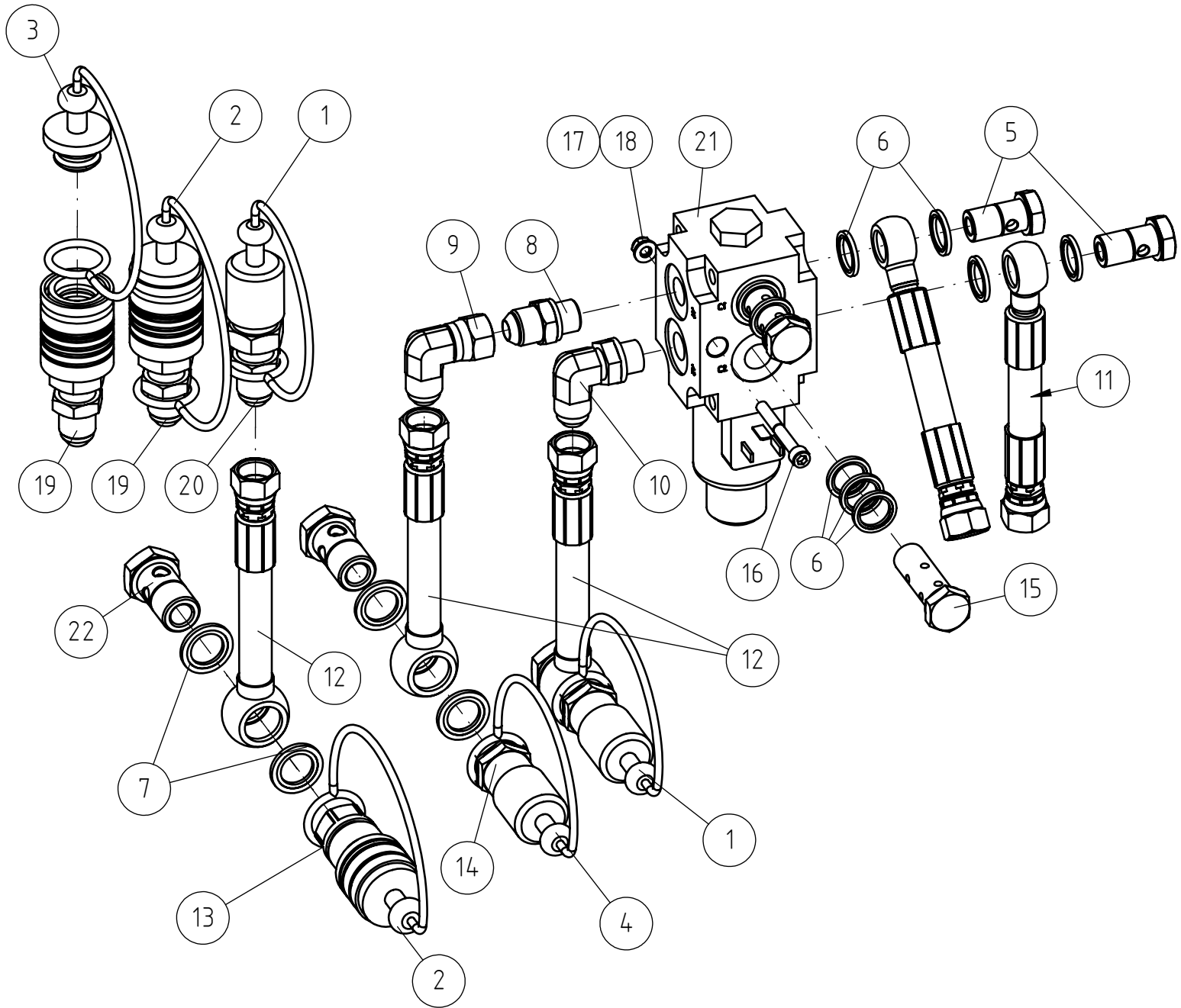
27.3.2024

**A427547 HYDRAULIC REAR LIFT 700 SERIES**

REF	PART NO	QTY	DESCRIPTION	NOTES	PAGE
1	A429322	1	SUPPORT FRAME, HYDR. REAR LIFT 700 SER		218
2	A429332	1	FRAME, HYDRAULIC REAR LIFT 700/800 SER		220
3	A430749	1	HYDRAULIC COMPONENTS, REAR LIFT 700/800		228
4	74435	2	WASHER M30 A31 DIN 125 ZN		-
5	74533	2	WASHER, PAIR, M16 NL16 NORDLOCK		-
6	74799	2	HEXAGONAL SCREW M16*35 DIN 933		-
7	75060	4	LINCH PIN 9,5 MM ZN		-
8	A424484	2	WASHER S=6		-
9	A424914	2	ROLLER, HYDR. REAR LIFT 700 SERIES		222
10	A424919	1	REAR BUMPERS HYDR. REAR LIFT 700/800		224
11	A431364	1	WIRE HARNESS HYDR. REAR LIFT 700 SERIES		230
12	A429306	1	HYDRAULIC CYLINDERS REAR LIFT 700/800		232
13	A440502	1	MOUNTING PLATE, REAR BUMPER 700/800		-
14	A440498	1	PROTECTIVE HOSE EXPLOSION PROTECTION		-
15	A449079	1	MOUNTING BRACKET TRAILER SOCKET		-
16	71691	2	WASHER M12 A13 DIN 125		-
17	73041	2	HEXAGONAL SCREW M12* 25 DIN 933		-
18	A46771	1	DECAL PICTOGR. READ OPERATORS MANUAL		-
19	A46803	1	DECAL PICTOGRAM DO NOT REACH OUT...		-
20	A451610	1	TYPE PLATE HYDR. REAR LIFT 700 SERIES		-
21	A463613	2	WASHER, HYDR. REAR LIFT		-

27.3.2024

# A430749 HYDRAULIC COMPONENTS, REAR LIFT 700/800



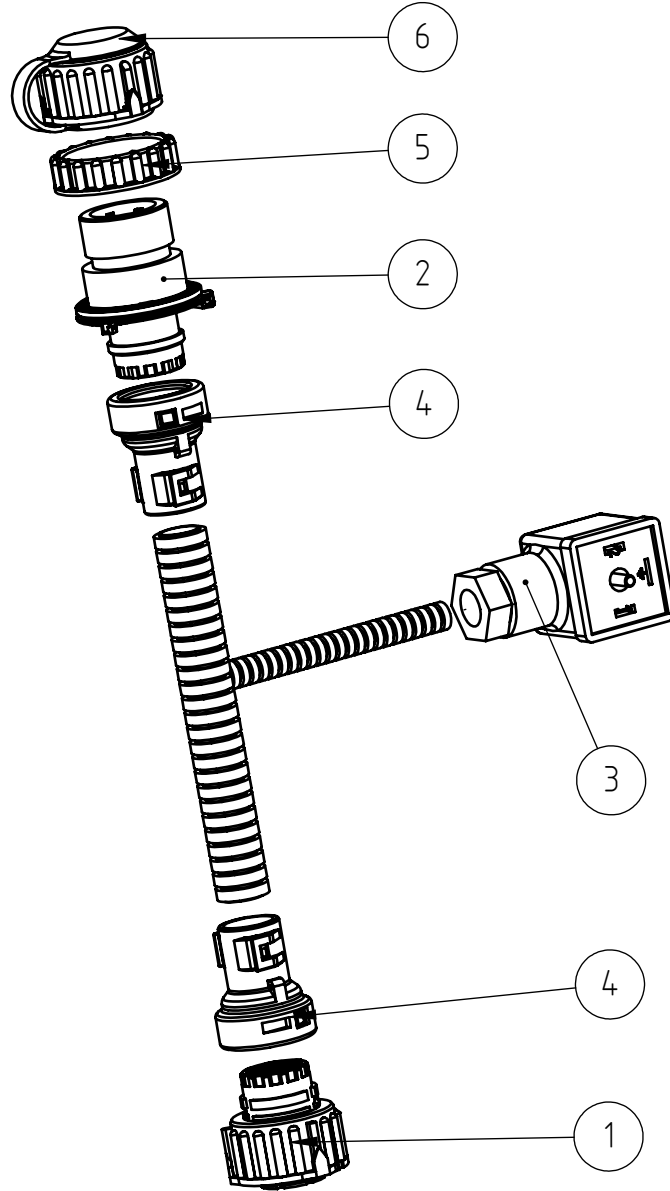
27.3.2024

**A430749 HYDRAULIC COMPONENTS, REAR LIFT 700/800**

REF	PART NO	QTY	DESCRIPTION	NOTES	PAGE
1	73753	2	COVER 1/2" TO MALE QUICK COUPLER		-
2	73754	2	RUBBER PLUG 1/2", TO FEMALE QUICK COUPLE		-
3	65566	1	RUBBER PLUG BLUE 1/2", QUICK COUPLING		-
4	64878	1	COVER, BLUE, QUICK COUPLER MALE 1/2"		-
5	73954	2	BANJO BOLT R3/8" L=29		-
6	73379	10	USIT-COMPRESSION 3/8"		-
7	73047	6	USIT SEAL RING R/12"		-
8	64042	1	BASIC FITTING F40XS12-3/8 /8		-
9	64134	1	ELBOW FITTING 90 DEGR. C6XS12		-
10	64068	1	ELBOW FITTING 90 DEGR. C40XS12-3/8 /8		-
11	A430728	2	HYDR. HOSE L=520		-
12	A430731	3	HYDR. HOSE L=1110		-
13	73457	1	QUICK COUPLER 1/2" (FEMALE)		-
14	73409	2	QUICK COUPLER NIPPLE 1/2" (MALE)		-
15	66305	2	BANJO BOLT DOUBLE BFDG06		-
16	A430747	2	HEXAGONAL HEAD SCREW M6*50 DIN 912 2		-
17	71680	2	WASHER M6 DIN 125		-
18	72318	2	HEXAGONAL NUT M 6 DIN 985 NYLOC		-
19	64190	2	QUICK COUPLING PART 1/2" 2V54-T5X4 FEMAL		-
20	64189	1	QUICK COUPLING MALE UNION 1/2" 4V14-T5X4		-
21	65099	1	SELECTOR VALVE DFE100/6 12VDC		-
21.1	A430809	1	SOLENOID 12VDC		-
22	73959	3	BANJO BOLT R 1/2"		-

27.3.2024

# A431364 WIRE HARNESS HYDR. REAR LIFT 700 SERIES



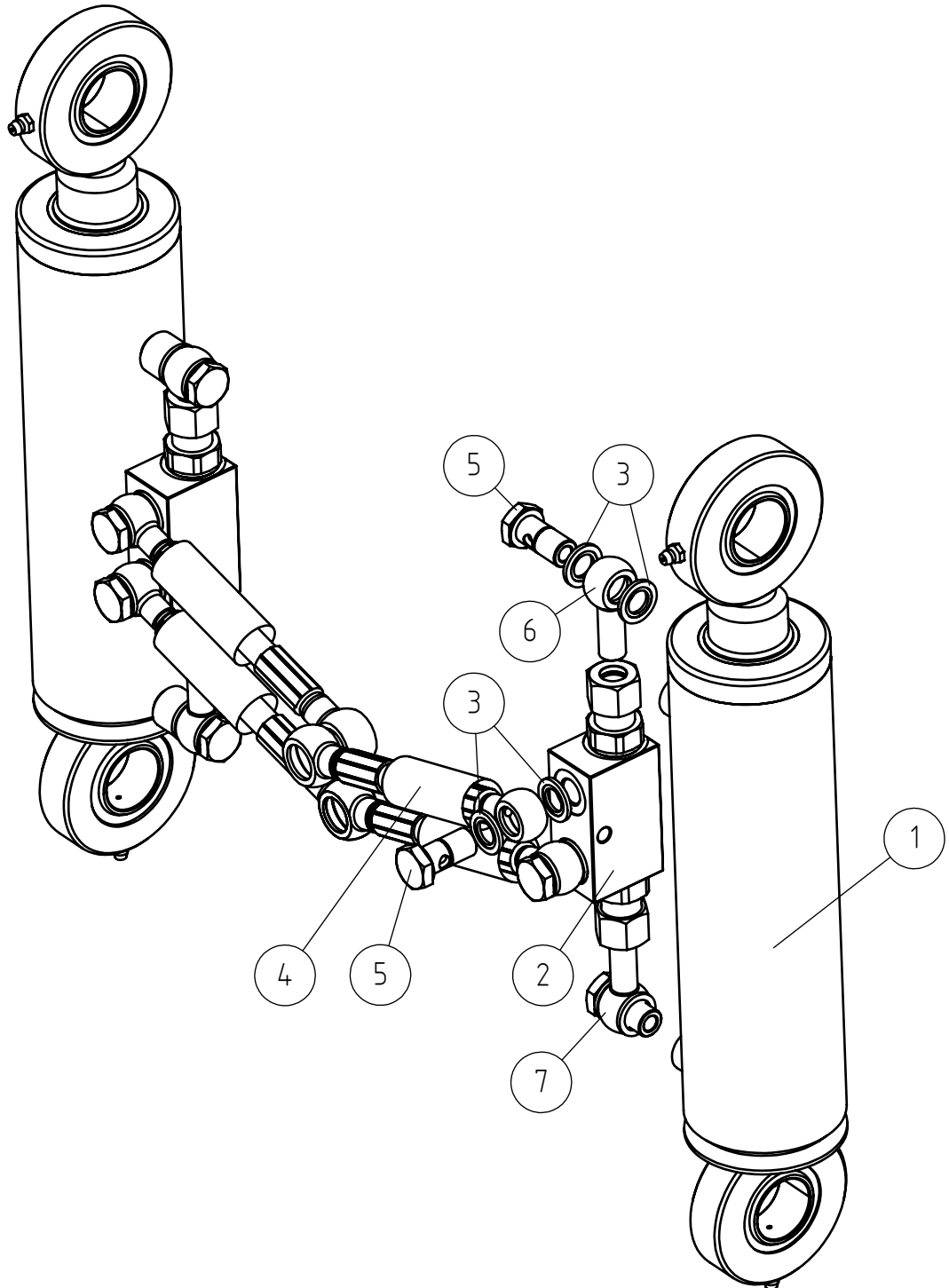
27.3.2024

**A431364 WIRE HARNESS HYDR. REAR LIFT 700 SERIES**

REF	PART NO	QTY	DESCRIPTION	NOTES	PAGE
1	A426621	1	CONNECTOR HOUSING 7-PIN		-
2	A430219	1	PIN HOUSING CONNECTOR 7-PIN		-
3	64601	1	CONNECTOR HIRSCHMANN		-
4	A430225	2	COVER FOR PROTECTIVE PIPE		-
5	74817	1	MOUNTING NUT AMP 964610		-
6	74816	1	COVER, ELECTRIC CONNECTOR 4/7 PIN		-

27.3.2024

# A429306 HYDRAULIC CYLINDERS REAR LIFT 700/800





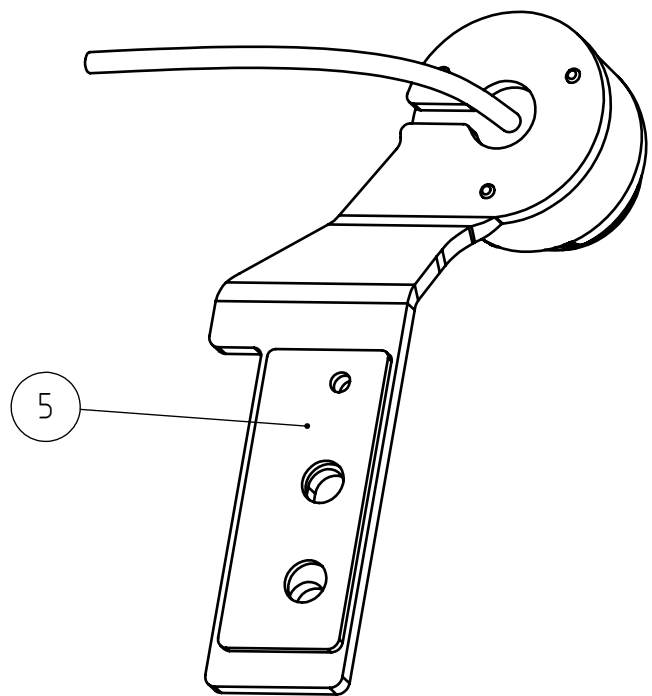
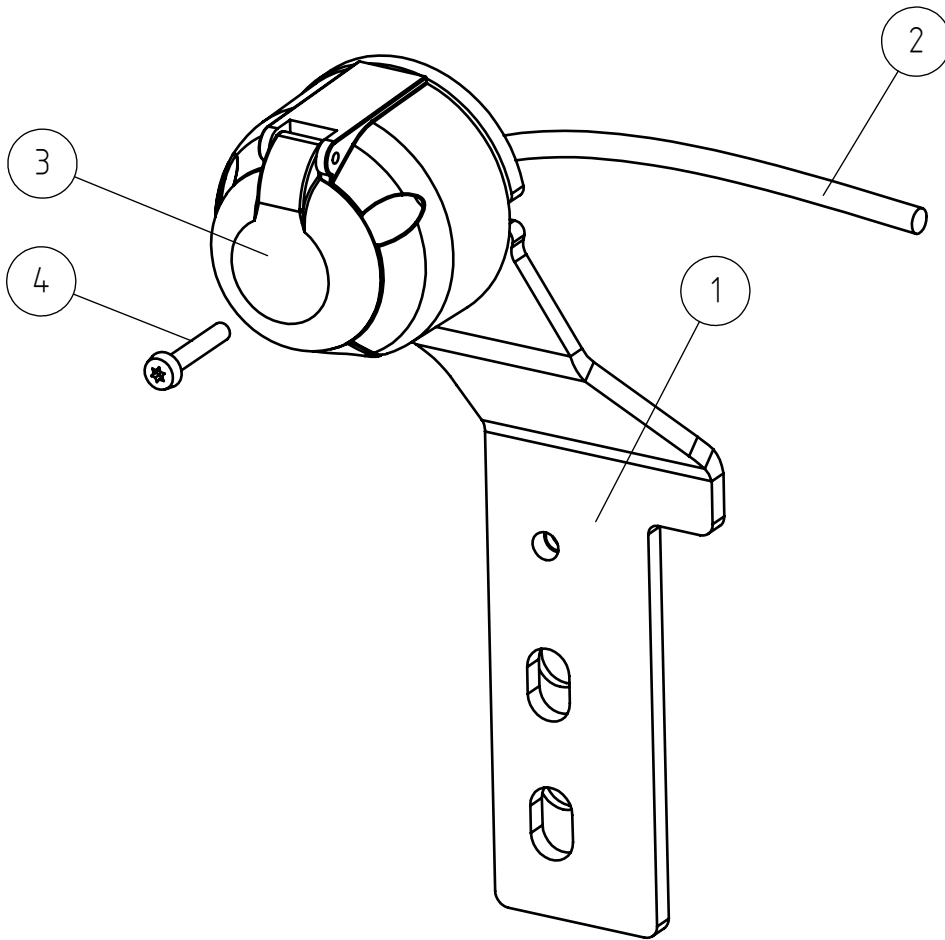
27.3.2024

**A429306 HYDRAULIC CYLINDERS REAR LIFT 700/800**

REF	PART NO	QTY	DESCRIPTION	NOTES	PAGE
1	A432354	2	HYDRAULIC CYLINDER F63/F36-150		-
1.1	64273	1	ARTICUL. BEARING GE30ESF47/30-22(18)		-
1.2	A418416	1	SEAL KIT, 63/36 CYLINDER, ON ATTACHMENT		-
2	A425280	2	CHECK VALVE DOUBLE PILOT		-
3	73757	16	USIT COMPRESSION R1/4"		-
4	A430733	4	HYDR. HOSE L=990		-
5	64557	8	BANJO BOLT R 1/4"		-
6	A425305	2	BANJO TUBE G1/4" L=38		-
7	A432394	2	BANJO TUBE G1/4" L=60		-

27.3.2024

# A418817 TRAILER SOCKET 7 PIN, KIT, 700/800



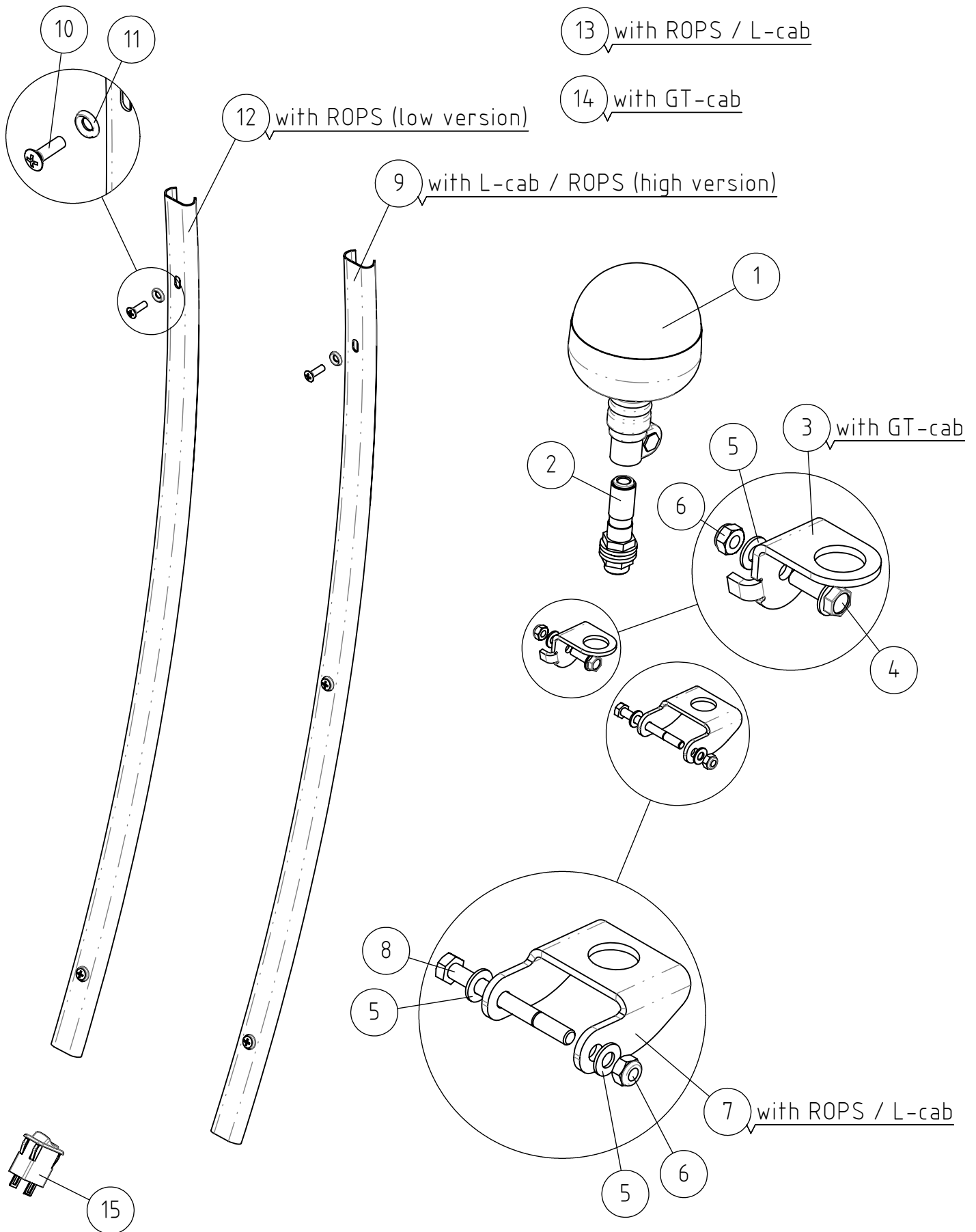
27.3.2024

**A418817 TRAILER SOCKET 7 PIN, KIT, 700/800**

REF	PART NO	QTY	DESCRIPTION	NOTES	PAGE
1	A418828	1	BRACKET, TRAILER SOCKET 7-PIN		-
2	A418830	1	WIRE HARNESS TRAILER SOCKET 7 PIN		-
3	65054	1	TRAILER SOCKET 7-PIN		-
4	A442551	3	THREAD-FORMING SCREW M5*30 DIN 7500CE		-
5	A427379	1	SPACER MOUNTING BRACKET TRAILER SOCKET 7		-

27.3.2024

# A438530 BEACON 800 SERIES

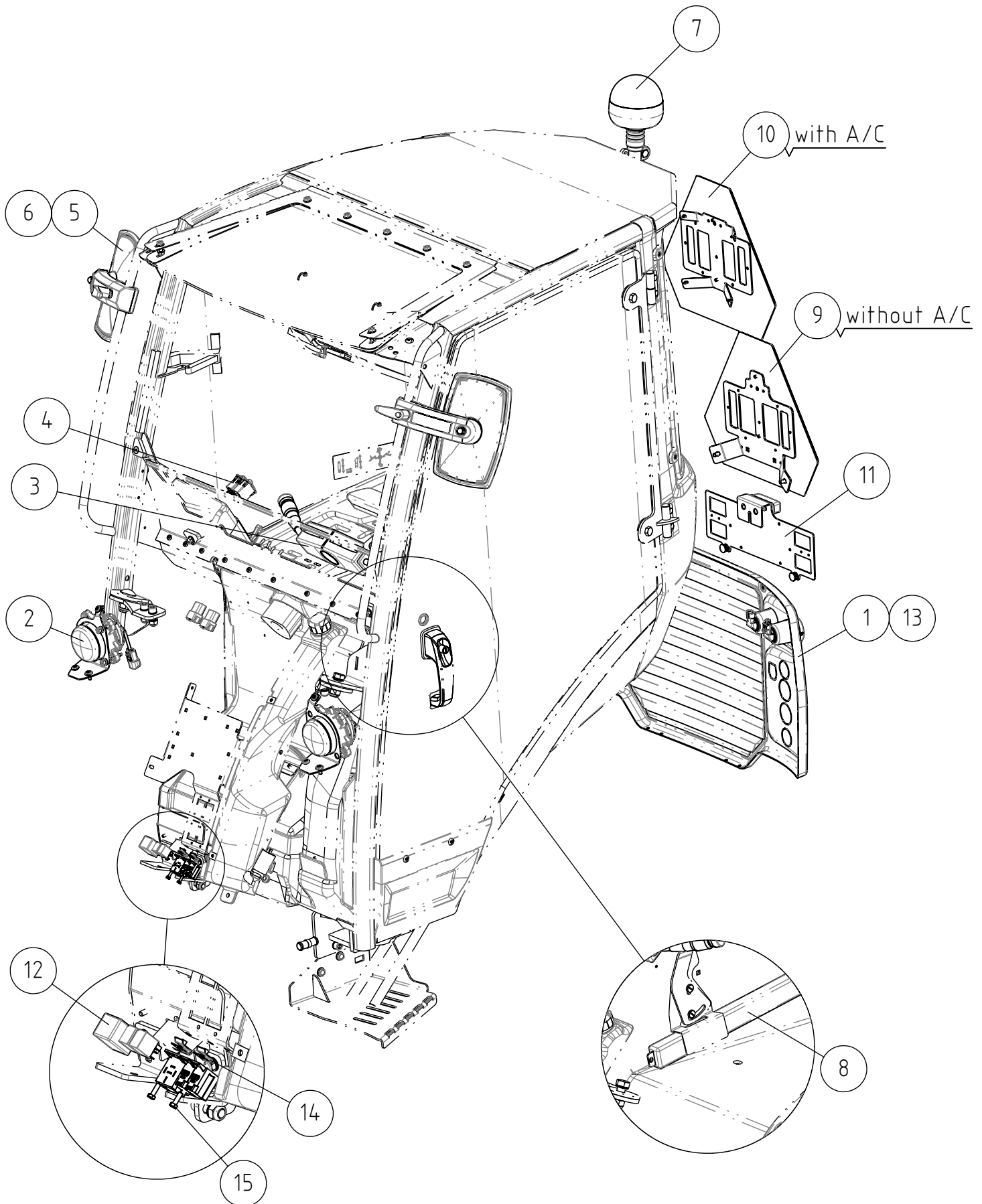


27.3.2024

**A438530 BEACON 800 SERIES**

REF	PART NO	QTY	DESCRIPTION	NOTES	PAGE
1	A435335	1	BEACON, ORANGE WITH LED LIGHT 11W		-
2	65058	1	BRACKET (PIN), BEACON		-
3	A412068	1	BRACKET, BEACON, CAB DLX		-
4	A429202	1	HEXAGONAL SERRATED SCREW M8*25 WITH FLAN		-
5	73122	3	WASHER M8 A8,4 DIN 125 ZN		-
6	72320	2	HEXAGONAL NUT M8 NYLOC DIN 985		-
7	A49059	1	BRACKET, BEACON		-
8	72143	1	HEX. SCREW M8*80 DIN 931		-
9	A49080	1	COVER STRIP, SIDE		-
10	74767	5	RAISED COUNTERSUNK HEAD SCREW M6*20		-
11	74768	5	WASHER CONICAL M6		-
12	A450714	1	COVER STRIP SIDE SHORT		-
13	A440104	1	WIRE HARNESS BEACON 700/800 ROPS STAGE V		-
14	A440977	1	ADAPTER ROTATING BEACON CAB GT		-
15	65065	1	SWITCH, BEACON		-

# A450924 ROAD TRAFFIC KIT ON CAB GT 700 SERIES



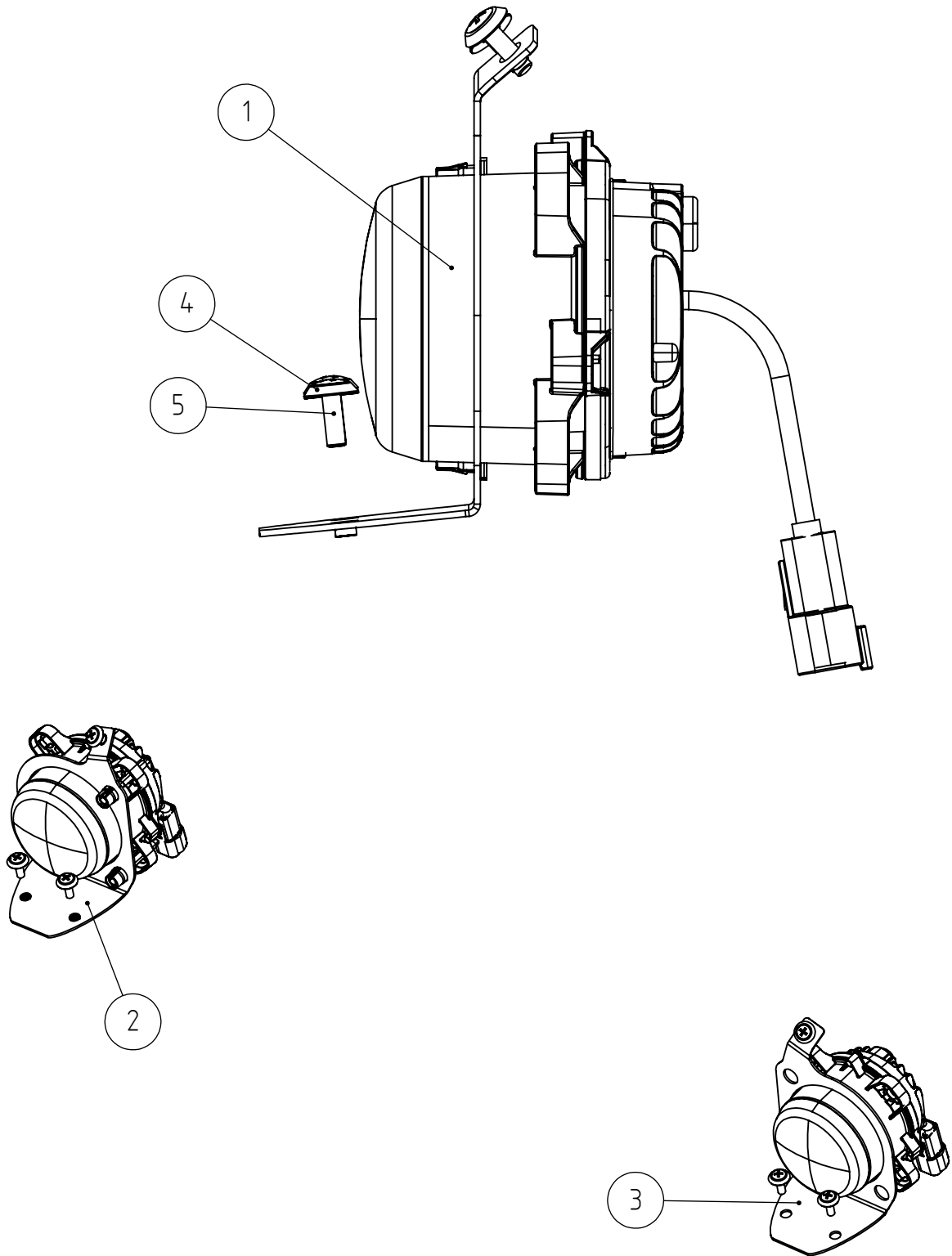
27.3.2024

**A450924 ROAD TRAFFIC KIT ON CAB GT 700 SERIES**

REF	PART NO	QTY	DESCRIPTION	NOTES	PAGE
1	A437383	1	REAR GRILLE WITH LIGHTS, ASSEMBLY,		-
1.1	64849	2	BLINKER		-
1.2	65548	2	TAIL LIGHT RED COBO		-
2	A450854	1	HEADLAMPS / PARKING LIGHTS / INDICATOR		240
3	65640	1	LIGHTS/WINDSCREEN WIPER LEVER SWITCH		-
4	65064	1	SWITCH, WARNING BLINKER		-
5	A437856	2	SIDE MIRROR WITH ARM CAB GT		-
5.1	A437934	1	SIDE MIRROR R1400		-
5.2	A437935	1	ARM SIDE MIRROR		-
6	65024	2	DECAL AVANT® EMBOSSED 56*225MM RED		-
7	A438530	1	BEACON 800 SERIES		236
8	A435070	1	SLOW MOVING VEHICLE TRIANGLE 430X45X30		-
9	A438396	1	SLOW MOVING VEHICLE SIGN WITH BRACKET		-
9.1	64733	1	SIGN, SLOW MOVING VEHICLE, RED		-
10	A438374	1	SIGN, SLOW MOVING VEHICLE, RED		-
10.1	64733	1	SIGN, SLOW MOVING VEHICLE, RED		-
11	A442240	1	MOUNTING BRACKET ASSEMBLY LICENCE PLATE		-
12	A449798	1	WIRE HARNESS ROAD TRAFFIC KIT FRONT		-
12.1	A438175	2	RELAY 12V/30A		-
12.2	65751	1	INDICATOR RELAY 12V 84W WEH-54 201 102		-
13	A437335	1	WIRE HARNESS ROAD TRAFFIC KIT REAR 700/8		-
14	75172	2	SPEED NUT M5 FOR 0.5-4.0 MM PLATE		-
15	72110	2	HEX. SCREW M5*16 DIN 933		-

27.3.2024

# A450854 HEADLAMPS / PARKING LIGHTS / INDICATOR





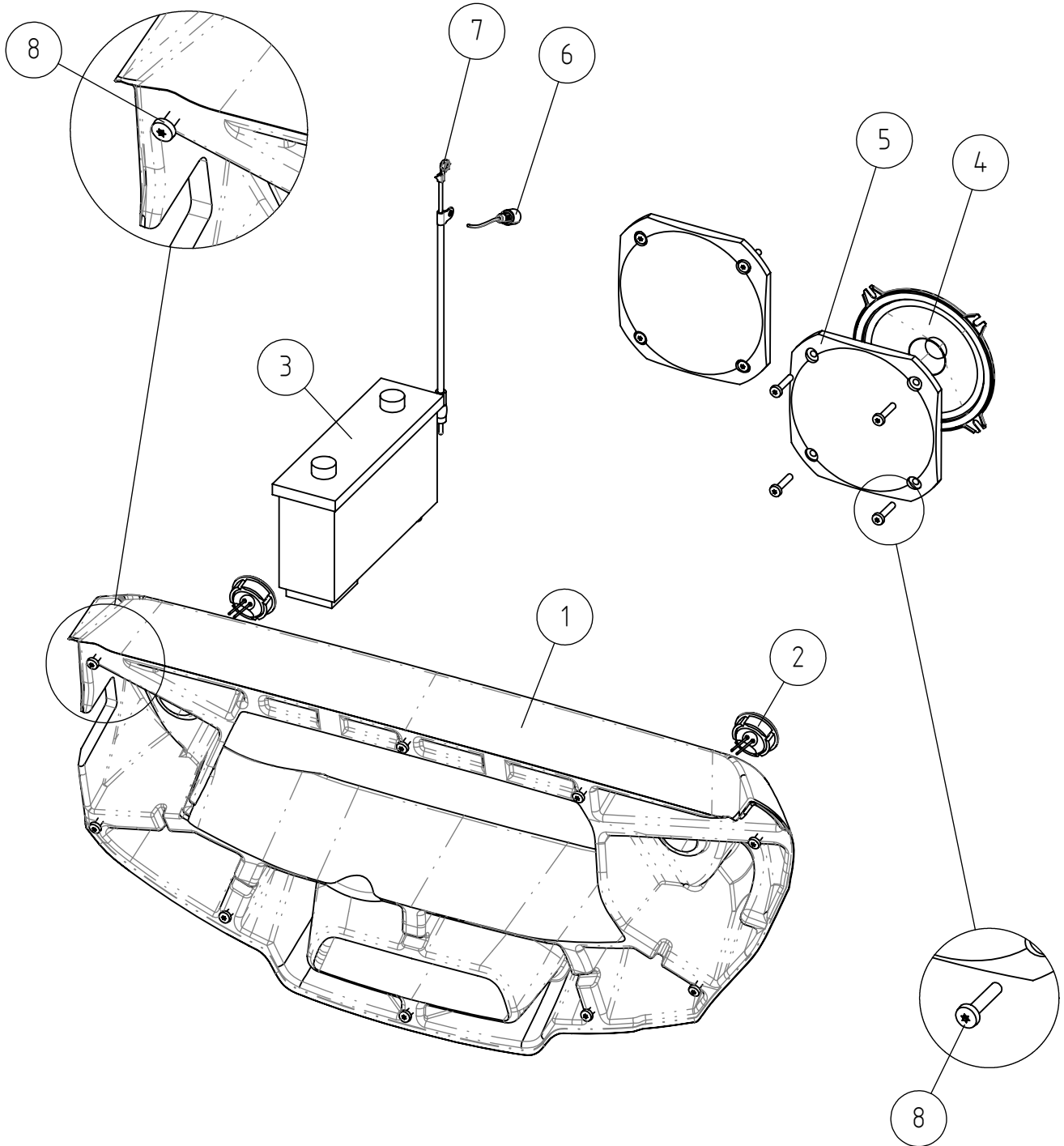
27.3.2024

**A450854 HEADLAMPS / PARKING LIGHTS / INDICATOR**

REF	PART NO	QTY	DESCRIPTION	NOTES	PAGE
1	A443591	2	HEADLAMP / PARKING LIGHT / INDICATOR LED		-
2	A450528	1	MOUNTING BRACKET RIGHT WORK LIGHT LED		-
3	A450553	1	MOUNTING BRACKET LEFT WORK LIGHT LED		-
4	A422221	6	WASHER M6 GREEN PLASTIC, ANALOG FOR		-
5	74767	6	RAISED COUNTERSUNK HEAD SCREW M6*20		-

27.3.2024

# A438587 RADIO WITH ACCESSORIES CAB GT



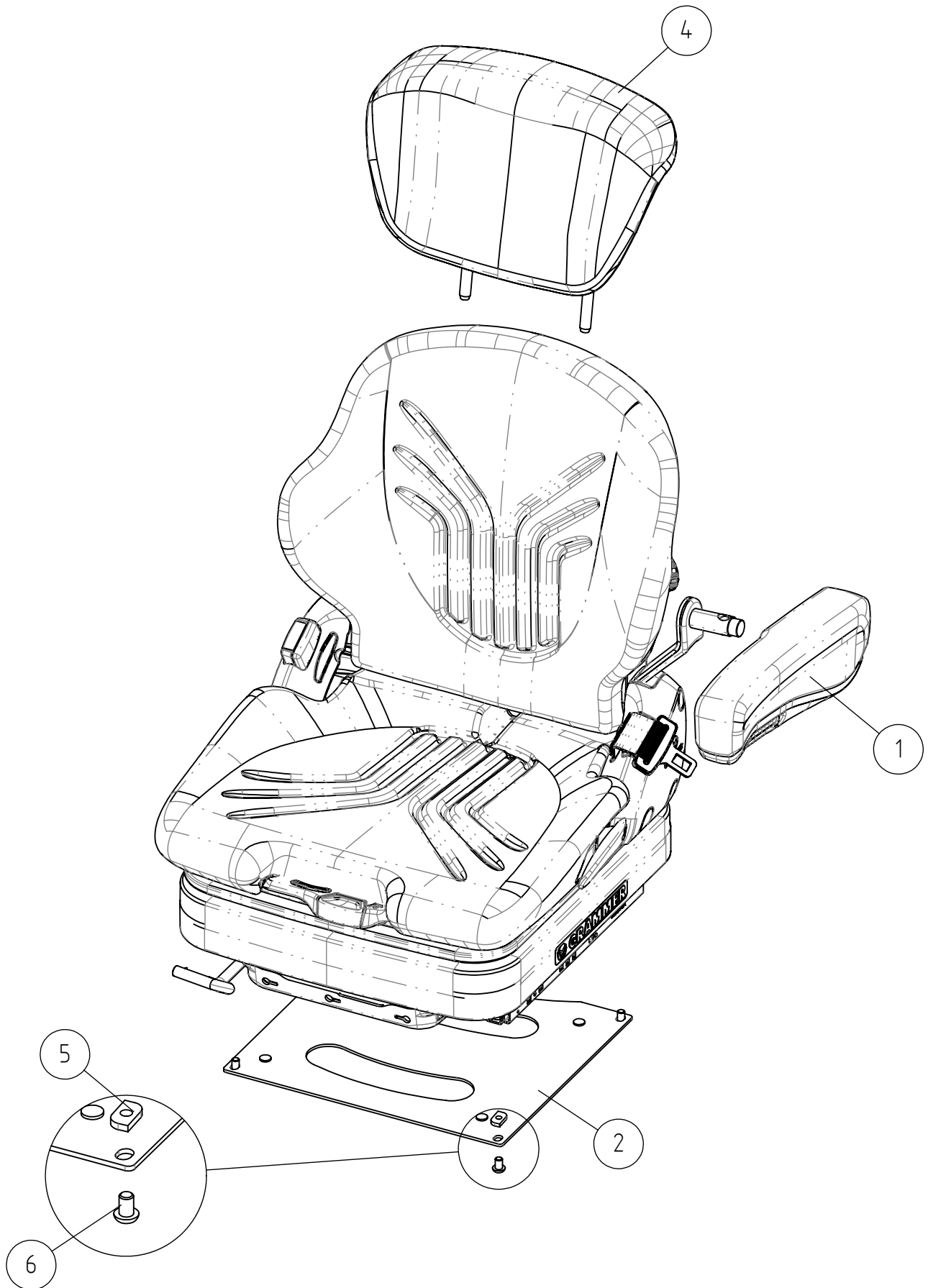
27.3.2024

**A438587 RADIO WITH ACCESSORIES CAB GT**

REF	PART NO	QTY	DESCRIPTION	NOTES	PAGE
1	A437493	1	DASHBOARD CAB GT		-
2	A438572	2	LOUDSPEAKER VISATON CP13		-
3	A431687	1			-
5	A438590	2	SPEAKER GRILLE		-
6	A438588	1			-
7	A439976	1	AERIAL CABLE L=1450		-
8	A438585	17			-
-	A438572	2	LOUDSPEAKER VISATON CP13		-

27.3.2024

# A455692 AIR SUSPENSION SEAT CAB GT FABRIC HEATER



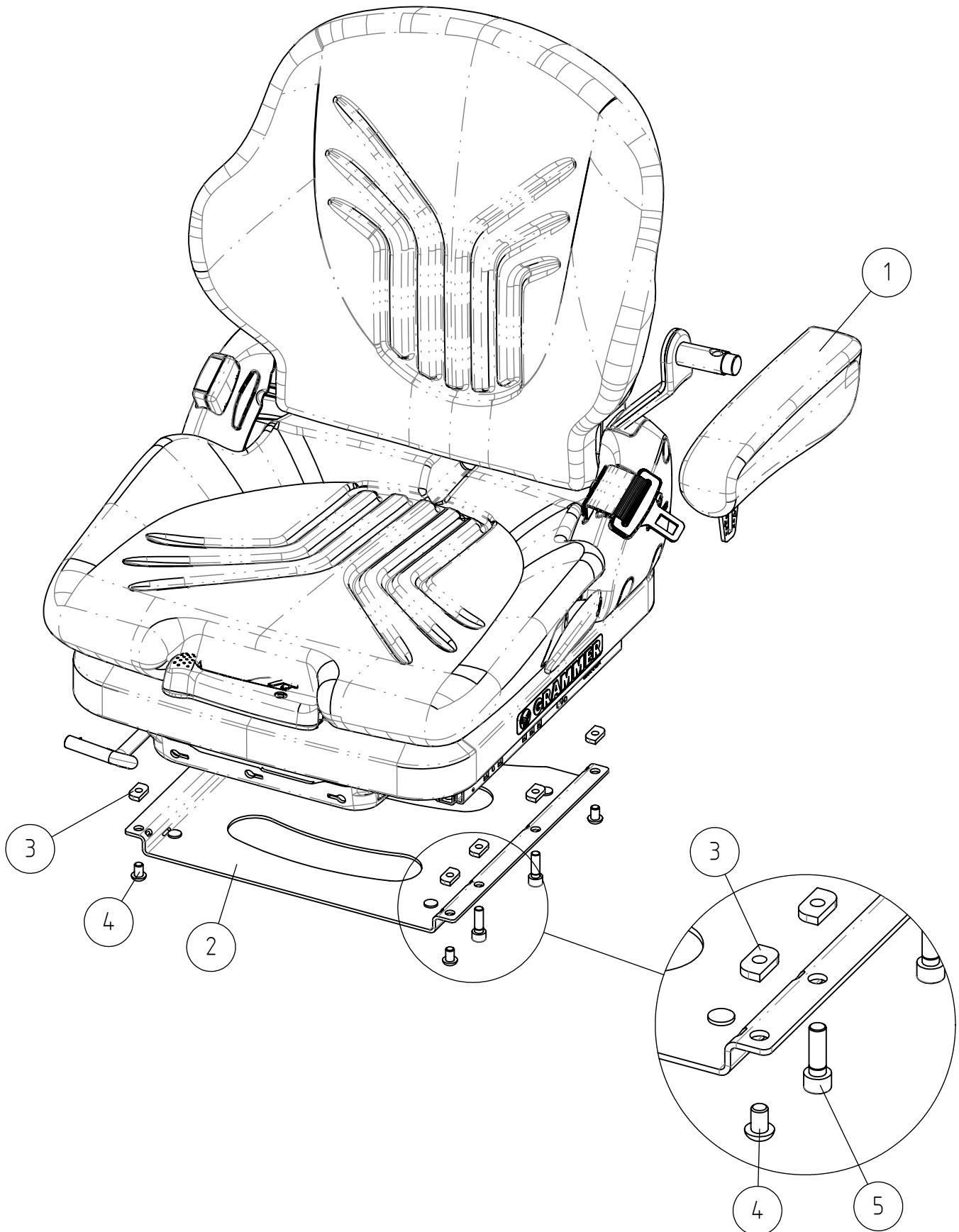
27.3.2024

**A455692 AIR SUSPENSION SEAT CAB GT FABRIC HEATER**

REF	PART NO	QTY	DESCRIPTION	NOTES	PAGE
1	A452271	1	ARMREST LEFT, SEAT GRAMMER MSG75		-
2	A438052	1	MOUNTING PLATE SEAT CAB GT		-
3	A451265	1	WIRE HARNESS AIR SUSPENSION SEAT MSG75		-
4	A437711	1	BACKREST EXTENSION AIR SUSPENSION SEAT		-
5	A438059	3	SLIDING NUT M8		-
6	75131	4	BUTTON HEAD SOCKET CAP SCREW M8*12 10.9		-
7	A454242	1			-

27.3.2024

# A459615 VINYL FULL SUSPENSION SEAT CAB GT



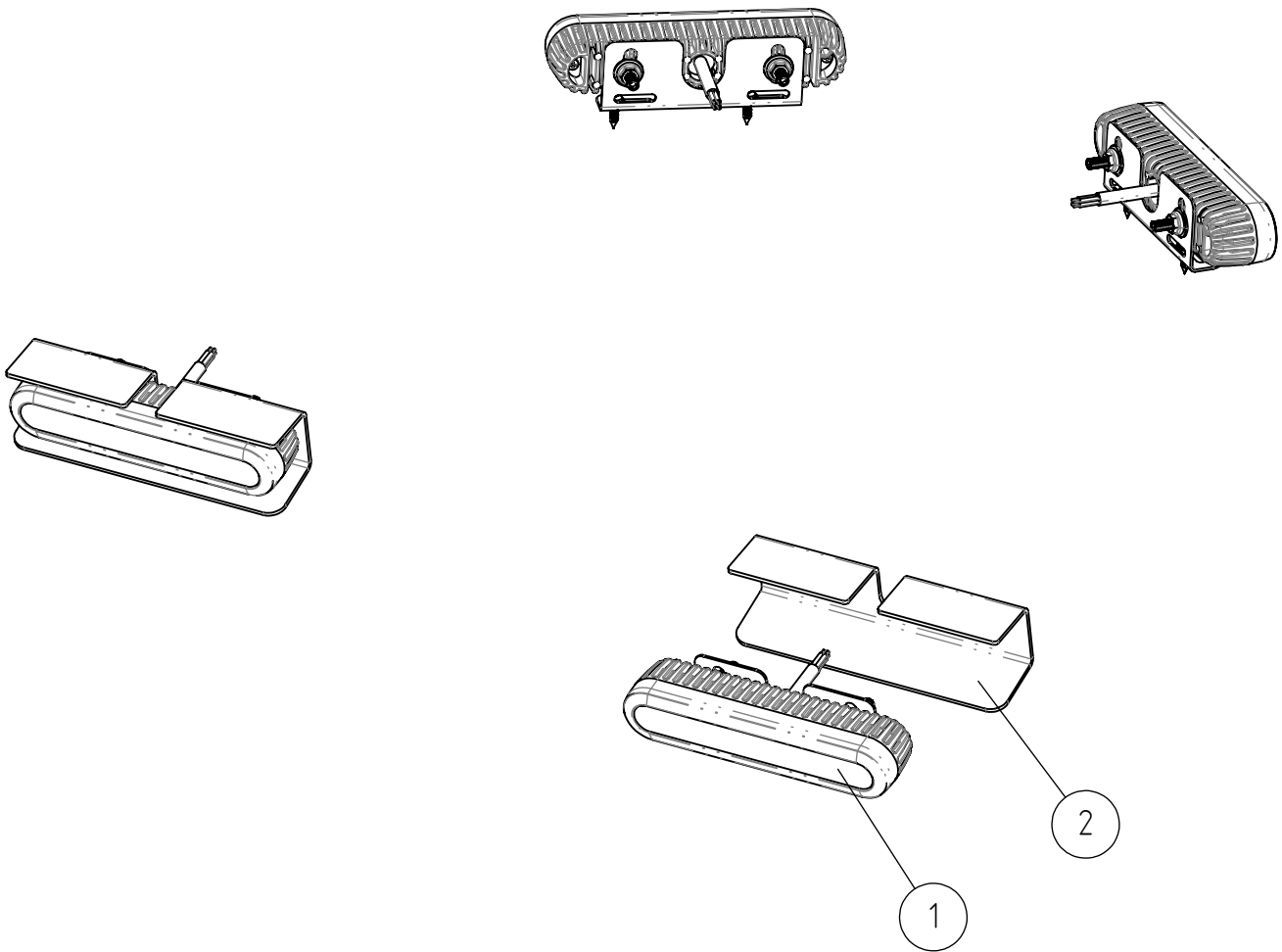
27.3.2024

**A459615 VINYL FULL SUSPENSION SEAT CAB GT**

REF	PART NO	QTY	DESCRIPTION	NOTES	PAGE
1	A452237	1	ARMREST LEFT, SEAT GRAMMER MSG65		-
2	A454836	1	MOUNTING PLATE SEAT CAB GT		-
3	A438059	6	SLIDING NUT M8		-
4	75131	4	BUTTON HEAD SOCKET CAP SCREW M8*12 10.9		-
5	71884	2	HEXAGONAL HEAD SCREW M 8*25 DIN 912 2		-

27.3.2024

# A438538 FOUR-LIGHT BEACON CAB GT





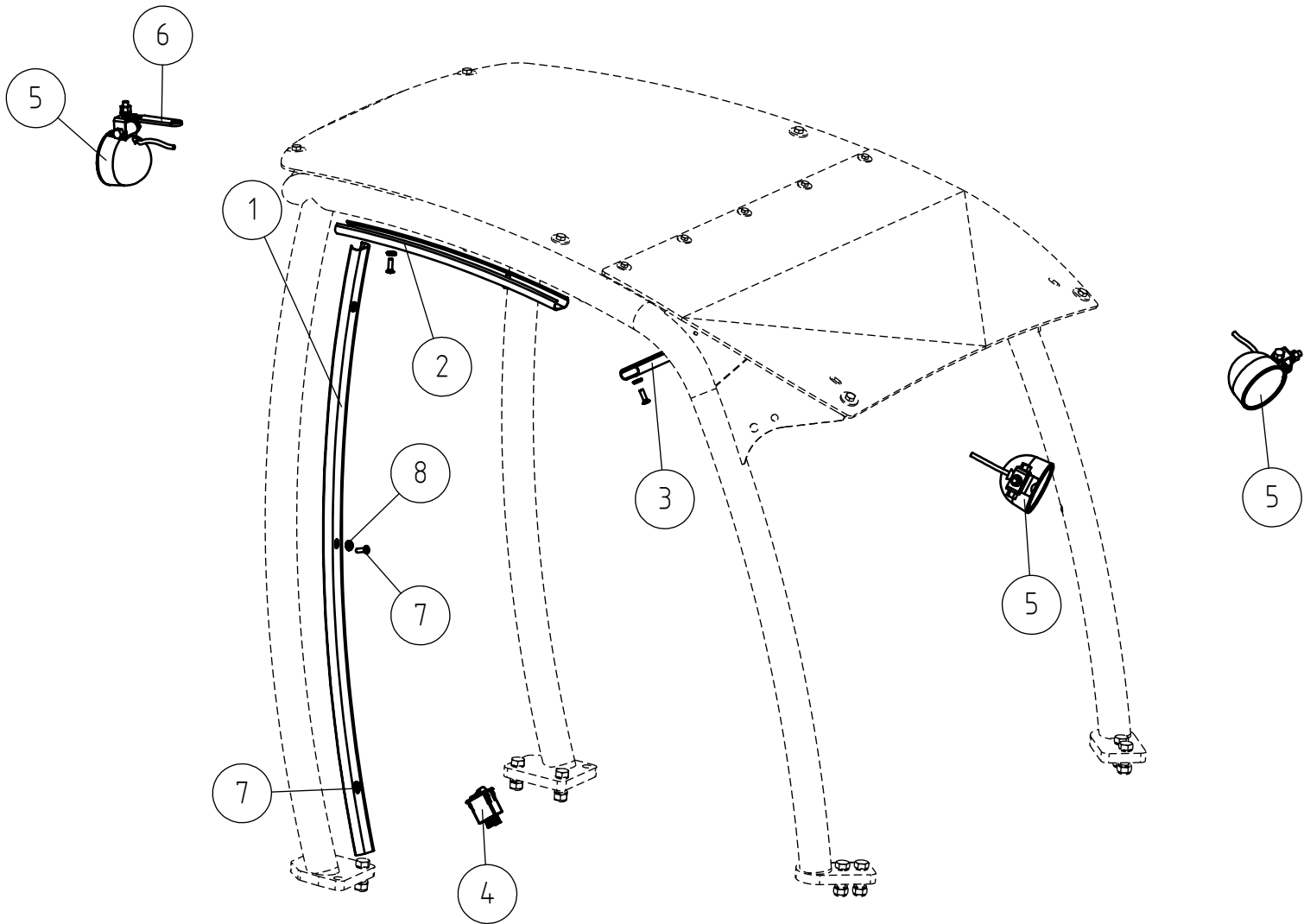
27.3.2024

**A438538 FOUR-LIGHT BEACON CAB GT**

REF	PART NO	QTY	DESCRIPTION	NOTES	PAGE
1	A434250	4	STROBE WARNING LIGHT LED 12W 10-30V		-
2	A434938	2	LIGHT SCREEN, STROBE WARNING LIGHT CAB		-

27.3.2024

# A438520 WORK LIGHT KIT, 3 LED LIGHTS 700 LUMEN



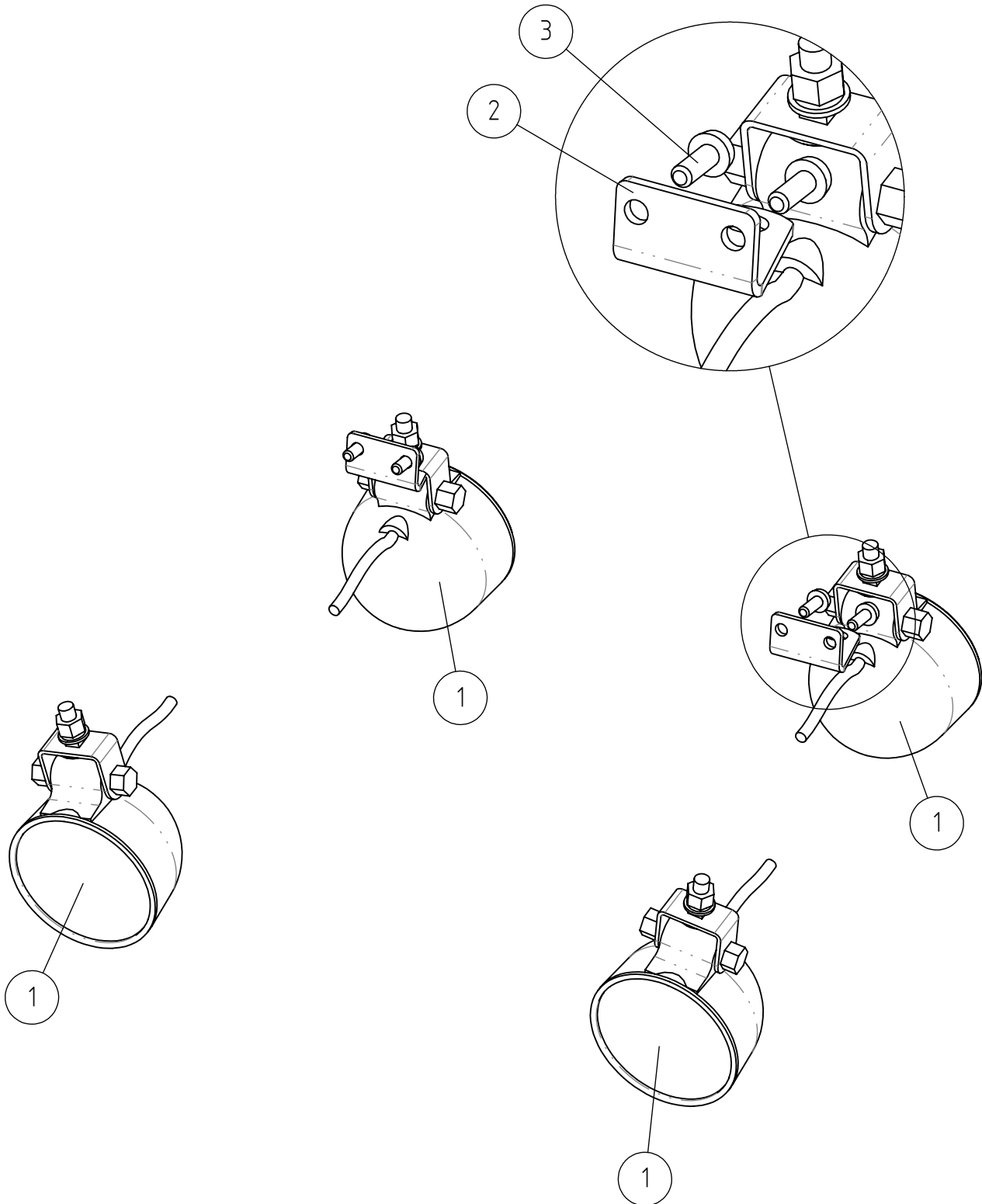
27.3.2024

**A438520 WORK LIGHT KIT, 3 LED LIGHTS 700 LUMEN**

REF	PART NO	QTY	DESCRIPTION	NOTES	PAGE
1	A49080	1	COVER STRIP, SIDE		-
2	A49079	1	COVER STRIP, MIDDLE		-
3	A49077	1	COVER STRIP, UPPER		-
4	65066	1	SWITCH, WORK LIGHT		-
5*	66068	3	WORK LIGHT LED 700 LUMEN 12V/12W COBO	700 Lumen	-
5**	A419163	3	WORK LIGHT LED 2500 LUMEN WITH CONNECTOR	2500 Lumen	-
6	A412802	1	MOUNTING BRACKET WORK LIGHT LED		-
7	74767	8	RAISED COUNTERSUNK HEAD SCREW M6*20		-
8	74768	8	WASHER CONICAL M6		-
9	A437372	1	WIRE HARNESS WORK LIGHT KIT / BEACON		-

27.3.2024

# A438528 WORK LIGHT KIT LED 700LM CAB GT



27.3.2024

**A438528 WORK LIGHT KIT LED 700LM CAB GT**

REF	PART NO	QTY	DESCRIPTION	NOTES	PAGE
1*	66068	4	WORK LIGHT LED 700 LUMEN 12V/12W COBO	700 Lumen	-
1**	A419163	4	WORK LIGHT LED 2500 LUMEN WITH CONNECTOR	2500 Lumen	-
2	A438523	2	MOUNTING BRACKET WORK LIGHT CAB 800 SER		-
3	75129	4	THREAD-FORMING SCREW M6*16 DIN 7500C		-

# **AVANT<sup>®</sup>**

## **Varaosat Spare parts**

Manufacturer:

**AVANT<sup>®</sup>**  
**AVANT TECNO OY**  
e-mail: [sales@avanttecho.com](mailto:sales@avanttecho.com)

Ylötie 1  
33470 Ylöjärvi  
FINLAND  
Tel. +358 3 347 8800  
Fax +358 3 348 5511